



# INSTRUCTIONS

-J03230

REV. 07-09-2004

Kit Number 63023-05

## DIPSTICK ASSEMBLY WITH ANALOG OIL TEMPERATURE READOUT

### General

This kit fits all 2004 and later XL (Sportster®) model motorcycles.

#### NOTE

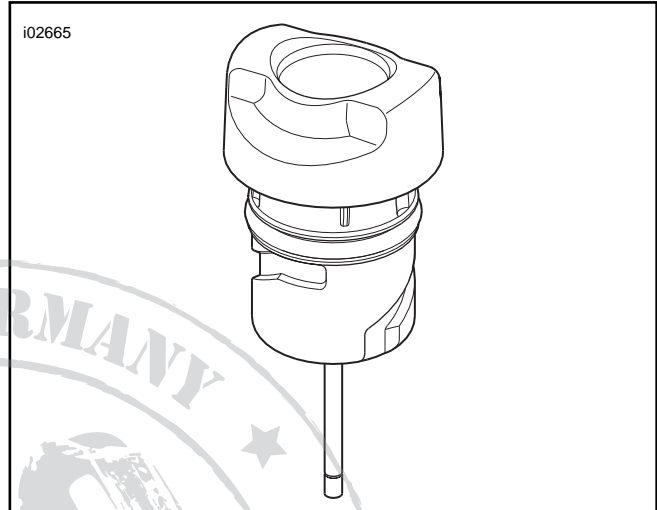
*There are no Service Parts available with this kit.*

### Installation

1. Refer to the Owner's Manual and follow the instructions given to remove the original equipment dipstick assembly (oil filler cap).
2. Insert the new dipstick assembly into the tank. Press down on filler cap while turning clockwise one-quarter turn. When filler cap stops turning it is fully seated.

### Removal

This cap is not a pop-up type. To remove, merely pull up on the filler cap while turning counterclockwise one-quarter turn.



Dipstick Assembly with Analog Oil Temperature Readout



# INSTRUCTIONS

-J03230

REV. 07-09-2004

Kit Number 63023-05

## DIPSTICK ASSEMBLY WITH ANALOG OIL TEMPERATURE READOUT

### General

This kit fits all 2004 and later XL (Sportster®) model motorcycles.

#### NOTE

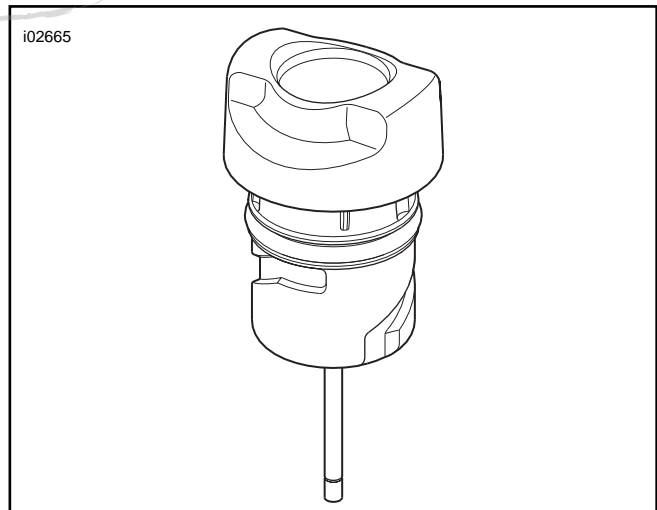
*There are no Service Parts available with this kit.*

### Installation

1. Refer to the Owner's Manual and follow the instructions given to remove the original equipment dipstick assembly (oil filler cap).
2. Insert the new dipstick assembly into the tank. Press down on filler cap while turning clockwise one-quarter turn. When filler cap stops turning it is fully seated.

### Removal

This cap is not a pop-up type. To remove, merely pull up on the filler cap while turning counterclockwise one-quarter turn.



Dipstick Assembly with Analog Oil Temperature Readout