



# INSTRUCTIONS

-J05297

REV. 2010-11-05

## PRIMARY FILL FUNNEL - EVOLUTION & EARLY TWIN CAM MODELS

### GENERAL

#### Kit Number

62700015

#### Models

For model fitment information, see the P&A Retail Catalog or the Parts and Accessories section of [www.harley-davidson.com](http://www.harley-davidson.com) (English only).

#### Kit Contents

This kit contains one primary fill funnel.

There are no service parts available with this kit.

### SETUP

**For EVOLUTION engine models:** See Figure 1. Modify the primary fill funnel by cutting along the cut out lines (1) which are visible on the back of the funnel.

**For EARLY TWIN CAM engine models:** No modifications are needed.

### OPERATION

1. Remove the derby cover.
2. See Figure 2. Insert the primary fill funnel into the opening in the primary housing cover. Allow the side tabs to rest outside the opening and the lower tabs inside the opening. See Figure 3. For **EVOLUTION** models allow one side tab to rest outside the opening and one side tab as well as the lower tabs to rest inside the opening.

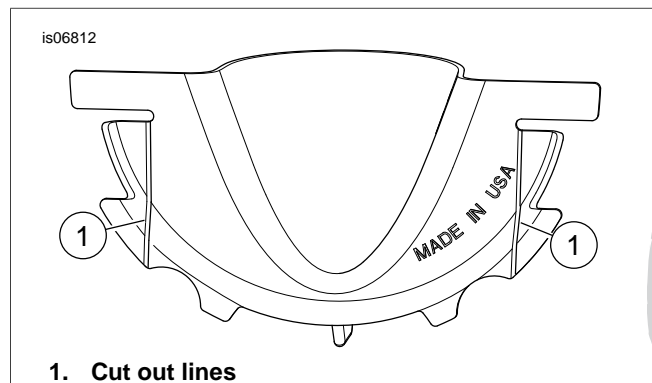


Figure 1. EVO Model Cut Out

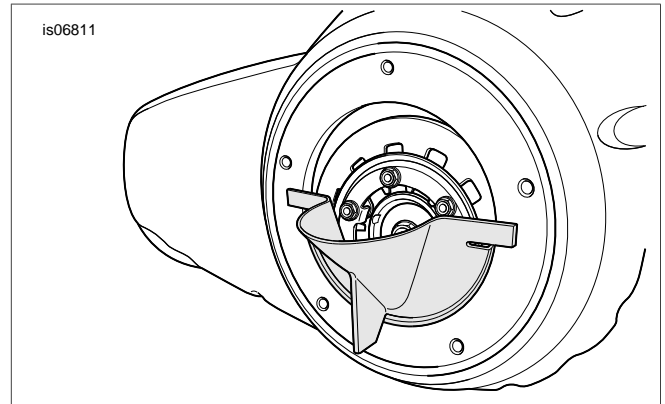


Figure 2. Primary Fill Funnel - Early Twin Cam Engine Models

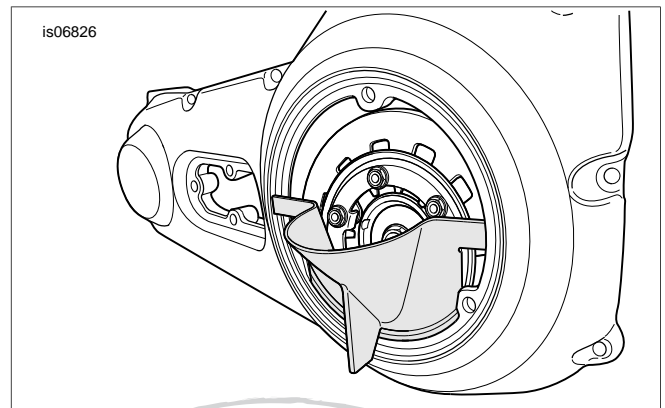


Figure 3. Primary Fill Funnel - Evolution Engine Models

