



INSTRUCTIONS

-J04675

REV. 2010-08-31

LCD OIL TEMPERATURE/LEVEL DIPSTICK

GENERAL

Part Number

Chrome: 63004-09, 63002-09, 62955-09, 62946-09, 62974-09, 62700005, 62700009

Black: 63030-09, 63055-09, 63131-09, 63065-09, 62700011

Models

For model fitment information, see the P&A retail catalog or the Parts and Accessories section of www.harley-davidson.com (English only).

Kit Contents

There are no service parts for the LCD assembly or dipstick but a service kit (P/N 63015-09), consisting of the O-ring, silicone seal ring and four screws, is available for separate purchase from a Harley-Davidson dealer. A replacement CR 2032 battery (P/N 66373-06) is also available for separate purchase for all oil temperature/level dipsticks.

For LCD oil temperature/level kits P/N 62700009 and 62700011, a service kit (P/N 91800008) consisting of a silicone seal, O-ring and three screws is available for separate purchase from a Harley-Davidson dealer.

LCD DIPSTICK INSTALLATION

1. Remove the original equipment (OE) dipstick from the filler neck.
2. **Non-threaded Dipsticks:** Lightly oil the O-ring on the new LCD dipstick. Orient the dipstick so that the display window is horizontal and readable from left to right, with the Bar and Shield logo to the left (towards the rear of the motorcycle). Push the dipstick straight into the filler neck until it seats.
3. **For threaded dipsticks:** Lightly oil O-ring and screw into the transmission like OE dipstick.
If the orientation of the display is unsatisfactory when fully seated, refer to **Adjusting the Display Angle** later in these instructions.

NOTE

To be sure of correct readings, the dipstick **MUST** seat firmly against the flange.

LCD DIPSTICK USE AND CARE

Removing the Dipstick

The dipstick assembly must be removed from the filler neck to add oil or to service the internal battery.

Displaying the Oil Temperature and Level

See Figure 1. Press and release the rubber button on the front face to display the temperature of the oil in the oil tank in

degrees Fahrenheit (°F), and the oil level. The display will automatically shut off after approximately ten seconds.

NOTICE

Do not overfill oil tank. Doing so can result in oil carryover to the air cleaner leading to equipment damage and/or equipment malfunction. (00190a)

NOTES

Oil level cannot be accurately measured:

- on a cold engine
- with the motorcycle upright
- with the engine running

NOTE

*Oil level on **2000 through 2004** Softail models with the original dipstick is checked with the motorcycle standing upright (not leaning on the jiffy stand). **THIS IS NOT THE CASE** with the LCD oil temperature/level dipstick. For all 2000 and later Softail models, oil level inspection must be done with the motorcycle **LEANING ON the jiffy stand**, on level ground.*

For pre-ride oil level inspection:

With the motorcycle on level ground, **RESTING ON the jiffy stand:**

- The oil level should be as indicated in Figure 1, display 4 through 8 (bars showing oil level, and "COLD OIL" message followed by flashing oil temperature) when the engine is cold.

DO NOT ADD OIL to bring the level to the FULL mark on the dipstick of a COLD engine.

- If the oil level indicates as in display 9 (animated level bars, followed by an "888 NO SENSOR" code), the wires inside the dipstick may be disconnected or damaged. Refer to **Replacing the Battery** later in these instructions to separate the dipstick upper and lower assemblies.

If the small plug next to the battery has become dislodged from the receptacle, plug it in. If a visible wire is damaged, a repair can be attempted. If no damage is visible, the dipstick is damaged internally and should be replaced.

For oil level inspection at operating temperature: Ride the motorcycle until the engine is at normal operating temperature.

Idle for 1-2 minutes with the motorcycle on level ground, **RESTING ON the jiffy stand (except Softails)**, turn the engine OFF.

Idle Softails 1-2 minutes with the motorcycle in an **UPRIGHT** position, turn engine OFF and rest on jiffy stand.

- Bubbles in the oil may cause inaccurate readings. Wait 2 minutes for the oil to settle and any bubbles to come to the surface.
- Press and release the rubber button on the front face of the LCD oil temperature/level dipstick to display the temperature and level of the oil in the oil tank. The oil level should be as shown in Figure 1, display 11, 12, 13 or 14.
- If the oil level indicates as shown in display 10 or 15, refer to OIL LEVEL HOT CHECK in the owner's manual for proper oil fill procedure.
- If the oil level indicates as in display 9 (animated level bars, followed by an "888 NO SENSOR" code), the dipstick

is not functioning correctly so refer to the **pre-ride inspection** instructions.

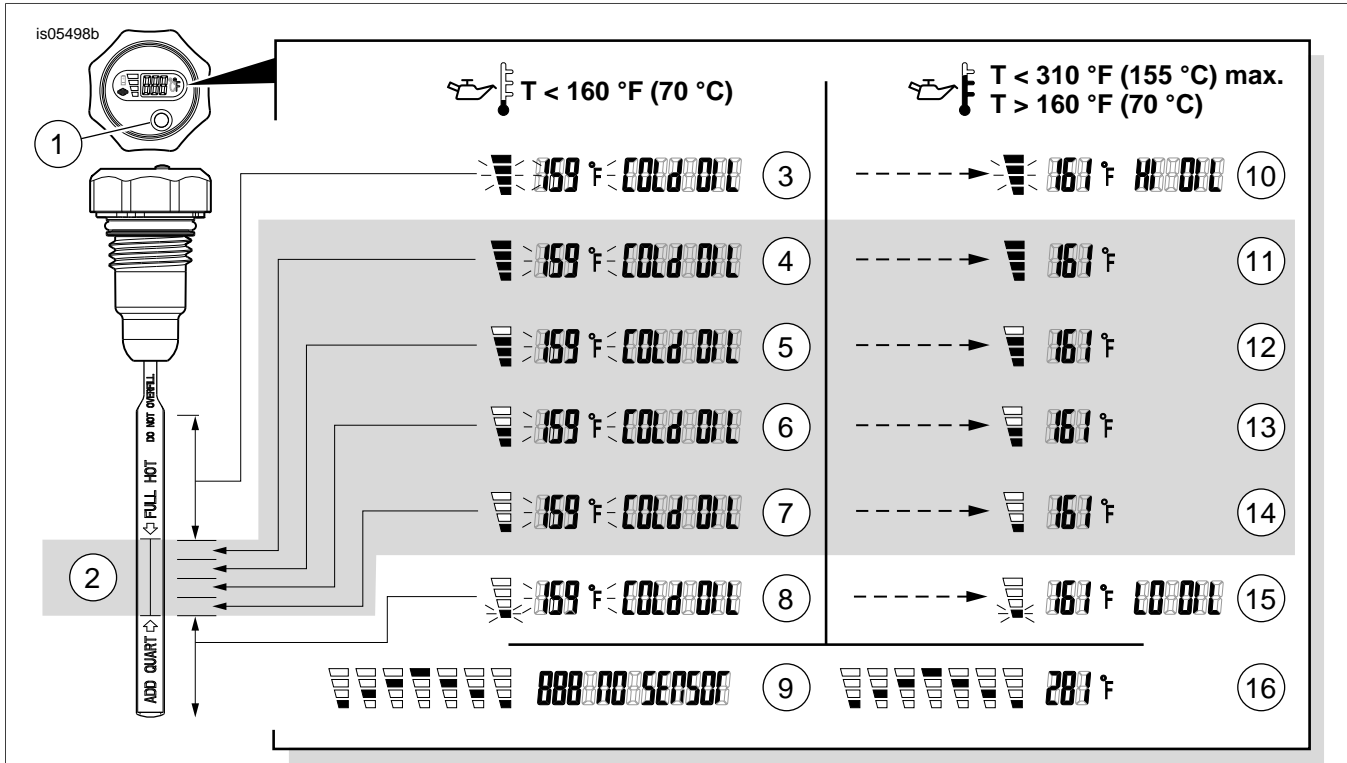
Changing the Display Mode

The display can be changed to read in degrees Centigrade (°C) by pressing and holding the button in for approximately five seconds, then releasing the button. From then on, pressing and releasing the button will display the temperature in "°C".

Change back to "°F" display in the same way.

Extended Temperature/Level Display

Press the button twice in rapid sequence to have the display remain on for an extended time. The display will automatically shut off after about two minutes. To manually shut off the display sooner, press the button once.



1. Rubber button
2. Adequate oil level range, engine at normal operating temperature, vehicle resting on stand, on level ground
3. Displayed when oil level is overfull, oil temperature less than 160 °F (70 °C).
4. Displayed when oil level is full, oil temperature less than 160 °F (70 °C).
5. Displayed when oil level is 0.25 qt (0.24 L) low, oil temperature less than 160 °F (70 °C).
6. Displayed when oil level is 0.5 qt (0.47 L) low, oil temperature less than 160 °F (70 °C).
7. Displayed when oil level is 0.75 qt (0.71 L) low, oil temperature less than 160 °F (70 °C).
8. Displayed when oil level is 1.0 qt (0.95 L) low, oil temperature less than 160 °F (70 °C).
9. Displayed when a disconnected or damaged wire is present.
10. Displayed when oil level is overfull, oil temperature 160 °F (70 °C) or above.
11. Displayed when oil level is full, oil temperature 160 °F (70 °C) or above.
12. Displayed when oil level is 0.25 qt (0.24 L) low, oil temperature 160 °F (70 °C) or above.
13. Displayed when oil level is 0.5 qt (0.47 L) low, oil temperature 160 °F (70 °C) or above.
14. Displayed when oil level is 0.75 qt (0.71 L) low, oil temperature 160 °F (70 °C) or above.
15. Displayed when oil level is 1.0 qt (0.95 L) low, oil temperature 160 °F (70 °C) or above.
16. Displayed when oil temperature is above 280 °F (138 °C).

Figure 1. LCD Oil Temperature/Level Dipstick

Display Errors

An "888 NO SENSOR" error code and scrolling level (Figure 1, display 9) will indicate a disconnected or damaged wire.

When the power level of the dipstick battery falls below 2.4V the LED backlight is disabled, and the battery symbol (see Figure 2) will begin to flash.

NOTE

To help prevent failure of the electronics inside, the dipstick will not measure oil **level** when the oil **temperature** exceeds 280 °F (138 °C). Scrolling level will display, along with the temperature (Figure 1, display 16), up to a maximum reading of 310 °F (155 °C).

The high temperature will not damage the dipstick.

Level measurement readings will resume when the oil temperature drops below 280 °F (138 °C).

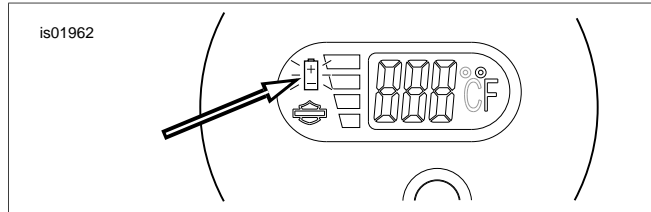


Figure 2. Battery Symbol

ADJUSTING THE DISPLAY ANGLE

When the LCD oil temperature/level dipstick is first installed and fully seated, the display should be oriented parallel to the vehicle for easy reading. In the event that the display is rotated to an unsuitable viewing angle on threaded body dipsticks, follow these steps:

NOTE

See Figure 3. Be careful when separating the upper (5) and lower (3) display body assemblies.

1. Remove the four small Phillips head screws (2) on the underside of the display body.
2. While taking care not to strain the wiring, gently pull the lower assembly out of the upper display body. Carefully separate the upper and lower assemblies.

NOTE

On threaded body models the lower assembly can be rotated in relation to the upper display body in any of eight positions. Choose the position that orients the display most closely to parallel.

3. Rotate the lower assembly to a suitable position and assemble, being careful not to pinch the wiring or silicone seal ring. Install and tighten the four screws securely.

REPLACING THE BATTERY

The LCD oil temperature display is powered by a long lasting, replaceable CR 2032 lithium battery. When battery replacement is needed, only a CR 2032 battery should be used.

A replacement CR 2032 battery (Part No. 66373-06) is available from a Harley-Davidson dealer.

NOTE

These batteries are also widely available at local battery outlets.

NOTICE

Read the following instructions and make sure you fully understand them prior to replacing the battery. If the procedure is not within your capabilities, or you do not have the correct tool, have a Harley-Davidson dealer replace the battery. Improper installation could result in damage to this product. (00419b)

NOTE

See Figure 3. Mark the upper (5) and lower (3) display body components before disassembly, so they can be assembled in the same rotational alignment. Be careful when separating the two parts of the display body.

1. Remove the four small Phillips head screws (2) on the underside of the display body.
2. While taking care not to strain the wiring, gently pull the lower assembly out of the upper display body. Carefully separate the upper and lower assemblies.

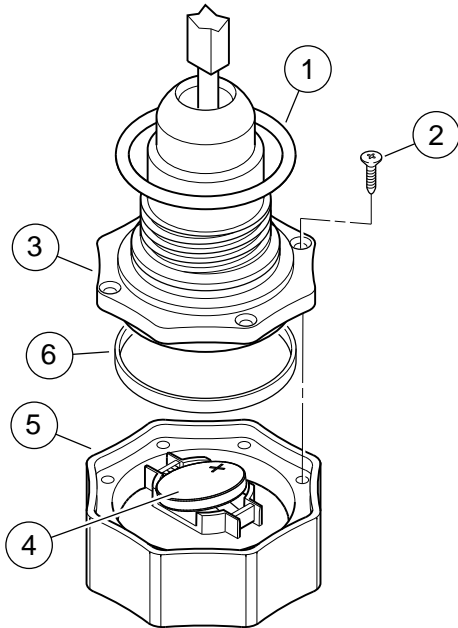
NOTES

Do not disturb the thin silicone seal ring (6) when performing the following procedures.

The thin silicone ring may stick to either half of the assembly at this point. It should be carefully seated on the lower assembly before the halves are reassembled.

3. Note the battery orientation. Using a mechanics pick or a small screwdriver, carefully insert the tool under the battery (4). Gently pry the battery free and discard it. Insert the new battery as shown and push the battery down until seated.
4. Align the lower assembly with the upper body. Assemble the two parts in the same rotational orientation as before disassembly, being careful not to pinch the wiring or silicone seal ring. Install and tighten the four screws securely.
5. Insert the dipstick into the filler neck.
6. Check for proper operation by pressing the rubber button on the front face. See **LCD Dipstick Use and Care**.





1. O-ring
2. Phillips head screw (4)
3. Lower dipstick assembly
4. CR2032 lithium battery
5. Upper display body
6. Silicone seal ring

Figure 3. Dipstick Battery Replacement

NATURE OF THE LIQUID CRYSTAL DISPLAY (LCD)

Due to the nature of an LCD, the readout will not display the oil temperature properly when the display body is exposed to extreme temperatures caused by heat transfer from the transmission case or oil tank.

These extremes can occur in stop and go traffic and/or parade duty combined with a high ambient (outside air) temperature. If this situation occurs, DO NOT be alarmed. The LCD will not be damaged, and will function properly when the LCD has returned to a normal operating temperature.

Note also that, after prolonged exposure to direct bright sunlight, some or all of the LCD segments may become visible, causing the LCD to **appear** to be reading improperly without the rubber button having been pressed. This can be overcome by shading the display until the face temperature cools enough to achieve a proper reading.

