



INSTRUCTIONS

-J06181

2015-11-03

7-INCH HEADLAMP BURST COLLECTION TRIM RING

GENERAL

Kit Number

61400319

Models

For model fitment information, see the P&A Retail Catalog or the Parts and Accessories section of www.harley-davidson.com (English only).

Kit Contents

There are no service parts available for this kit.

INSTALLATION

1. Remove original equipment (OE) trim ring and mounting screw.
2. See Figure 1. Slip new trim ring (2) over OE headlamp housing.
3. Align the Harley-Davidson logo to the 11 o'clock position. Rotate the ring to the 12 o'clock position. Verify that the tab has engaged the headlamp mount ring.
4. Position mounting screw (1) to lower mounting tab. Reuse OE screw.
5. Tighten mounting screw to 1–1.5 N·m (9–13 in-lbs).

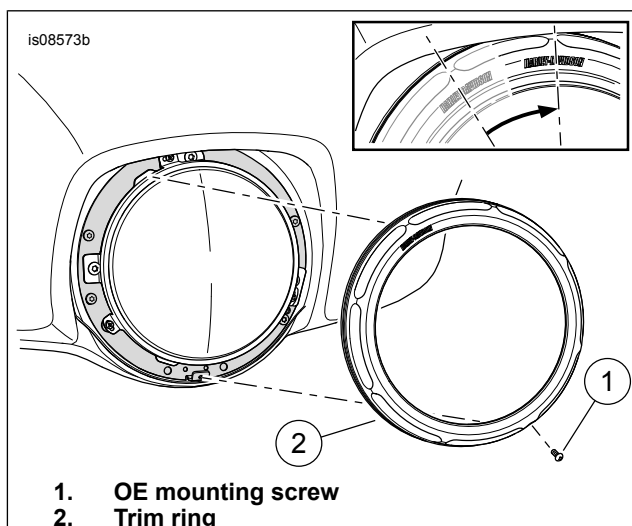


Figure 1. Burst Collection Trim Ring