



INSTRUCTIONS

-J06034

2014-09-03

GAUGE BEZEL KIT

GENERAL

Kit Number

61400299

Models

For model fitment information, see the P&A Retail Catalog or the Parts and Accessories section of www.harley-davidson.com (English only).

Kit Contents

See Figure 1 and Table 1.

INSTALLATION

- Ambient temperature should be between 21 °C (70 °F) and 38 °C (100 °F) for proper adhesion. Do not apply below 10 °C (50 °F)
- Parts cannot be repositioned after initial adhesive installation.
- Allow AT LEAST 24 hours after application before exposing the area to vigorous washing, strong water spray or extreme weather.
- The adhesive bond will increase to maximum strength after about 72 hours at normal room temperature.

NOTE

Do not clean with denatured alcohol, mineral spirits or other solvents. Damage to components may occur.

1. Using a 50:50 isopropyl alcohol/water solution, thoroughly clean trim mounting surfaces. Allow to dry completely.
2. Install speedo/tach trim (1) Install gauge bezels (2, 3). Start with left gauge bezel (marked with embossed "L").
 - a. With the adhesive backing still in place, test fit the speedo/tach trim.
 - b. Remove the adhesive backing. Install the speedo/tach trim to the speedo/tach.
 - c. Press surface of bezels firmly to make sure that there is good adhesion.
- a. With the adhesive backing still in place, fit the bezel to the gauge opening. Rotate the bezel until it seats in the fairing.
- b. Place a reference mark on the bezel and on the fairing.
- c. Remove the adhesive backing from gauge bezel.
- d. Align the reference marks and install gauge bezel to mounting location.
- e. Press surface of bezels firmly to make sure that there is good adhesion.
- f. Repeat for right side bezel.

SERVICE PARTS

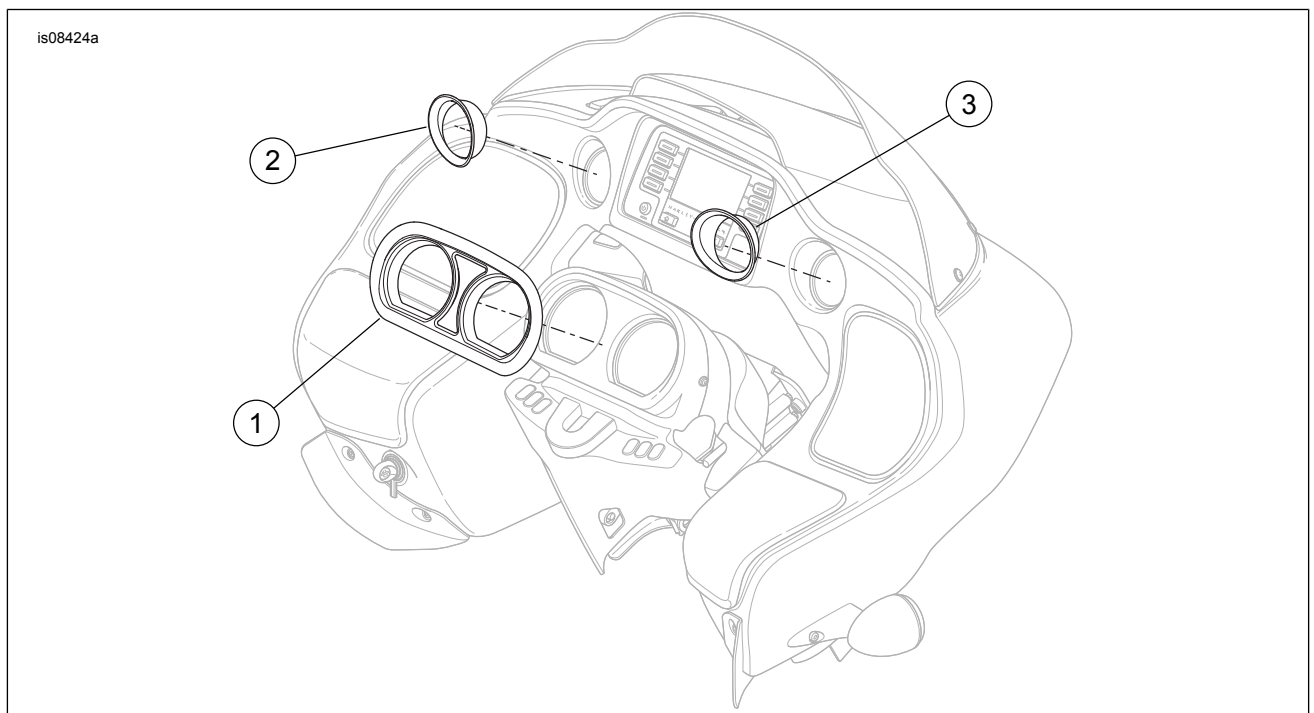


Figure 1. Service Parts

Table 1. Service Parts

Item	Description (Quantity)	Part Number
1	Speedo/Tach Trim	Not Sold Separately
2	Bezel, gauge, left	Not Sold Separately
3	Bezel, gauge, right	Not Sold Separately