



INSTRUCTIONS

-J06031

2014-10-22

INNER FAIRING TRIM KIT

GENERAL

Kit Number

61400296

Models

For model fitment information, see the P&A Retail Catalog or the Parts and Accessories section of www.harley-davidson.com (English only).

Kit Contents

See Figure 2 and Table 1.

INSTALLATION

NOTE

- *Ambient temperature should be between 21 °C (70 °F) and 38 °C (100 °F) for proper adhesion. Do not apply below 10 °C (50 °F).*
 - *Parts cannot be repositioned after initial adhesive installation.*
 - *Allow AT LEAST 24 hours after application before exposing the area to vigorous washing, strong water spray or extreme weather.*
 - *The adhesive bond will increase to maximum strength after about 72 hours at normal room temperature.*
 - *Do not clean with denatured alcohol, mineral spirits or other solvents. Damage to components may occur.*
1. Using a 50:50 isopropyl alcohol/water solution, thoroughly clean trim mounting surfaces. Allow to dry completely.
 2. Install radio bezel (4)
 - a. With the adhesive backing still in place, test fit the radio bezel to mounting location.
 - b. Remove the adhesive backing. Install the radio bezel to the inner fairing.
 - c. Press surface of bezel firmly to make sure that there is good adhesion.
 3. Install speedo/tach trim (1)
 - a. With the adhesive backing still in place, test fit the speedo/tach trim to mounting location.
 - b. Remove the adhesive backing. Install the speedo/tach trim to the speedo/tach.
 - c. Press surface of trim firmly to make sure that there is good adhesion.
 4. Install gauge bezels (3, 5). Start with left gauge bezel (marked with embossed "L").
 - a. With the adhesive backing still in place, fit the bezel to the gauge opening. Rotate the bezel until it seats in the fairing.
 - b. Place a reference mark on the bezel and on the fairing.
 - c. Remove the adhesive backing from gauge bezel.
 - d. Align the reference marks and install gauge bezel to mounting location.
 - e. Press surface of bezels firmly to make sure that there is good adhesion.
 - f. Repeat for right side bezel.
 5. Install speaker trim (2, 6).
 - a. See Figure 1. Carefully insert a right angle tool (3) through a hole in the left grille next to one retainer (1).
 - b. Pull to release retainer.
 - c. Repeat with remaining retainer.
 - d. Remove speaker grille.
 - e. With the adhesive backing still in place, test fit left speaker trim to speaker grille.
 - f. Remove the adhesive backing from speaker trim.
 - g. Install speaker trim to speaker grille.
 - h. Press surface of trim firmly to make sure that there is good adhesion.
 - i. Verify that rubber gasket is in place on perimeter of grille.
 - j. Engage tab (2) into grille opening.
 - k. Engage retainers (1) in slots.
 - l. Push on grille in retainer areas until an audible click is heard.
 - m. Repeat for right side speaker trim.

NOTE

Do not damage speaker when inserting right angle tool.



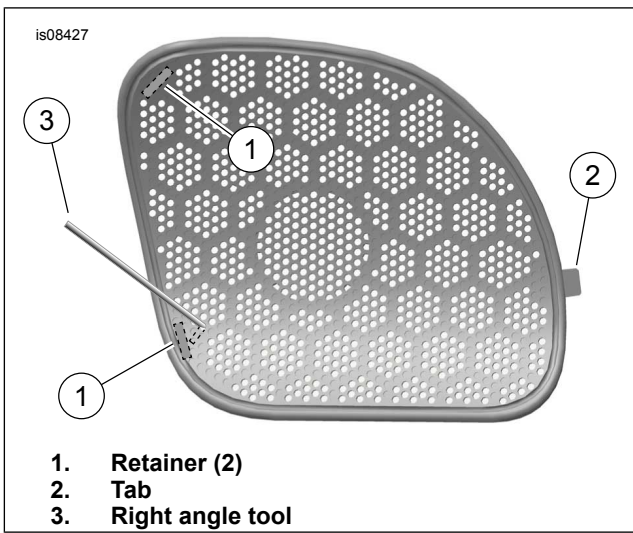


Figure 1. Remove Speaker Grille

SERVICE PARTS

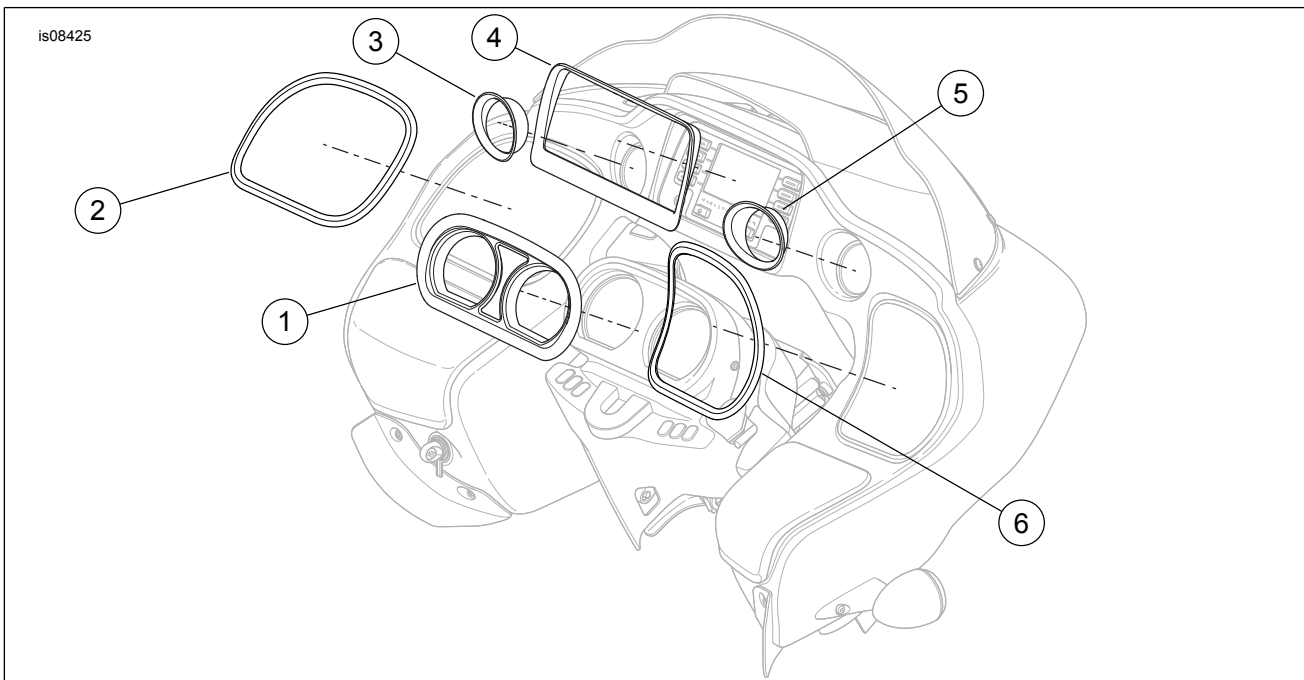


Figure 2. Service Parts

Table 1. Service Parts

Item	Description (Quantity)	Part Number
1	Speedo/Tach Trim	Available within kit 61400299
2	Speaker grill, left	Available within kit 61400297
3	Gauge bezel, left	Available within kit 61400299
4	Radio bezel	61400298
5	Gauge bezel, right	Available within kit 61400299
6	Speaker grill, right	Available within kit 61400297