



INSTRUCTIONS

-J05919

2014-02-24

PIVOT BOLT COVER

GENERAL

Kit Number

61400269

Models

XG500, XG750

⚠ WARNING

The rider's safety depends upon the correct installation of this kit. Use the appropriate service manual procedures. If the procedure is not within your capabilities or you do not have the correct tools, have a Harley-Davidson dealer perform the installation. Improper installation of this kit could result in death or serious injury. (00333a)

Kit Contents

See Figure 3 and Table 1.

INSTALLATION

Right Side Pivot Bolt Cover Installation

1. See Figure 1. Start a set screw (1) from the kit into the right side pivot bolt cover (2) (shorter) about two or three turns.
2. Note the position of the bottom-most flat on the rear fork pivot bolt (3). Line up the pivot bolt cover over the bolt head so the set screw is centered on the hex flat. Tighten the set screw securely to the head of the rear fork pivot bolt.

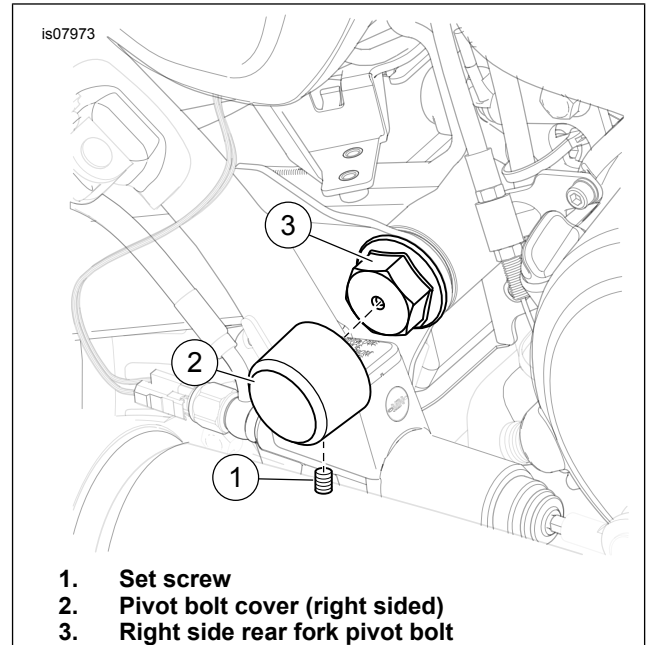


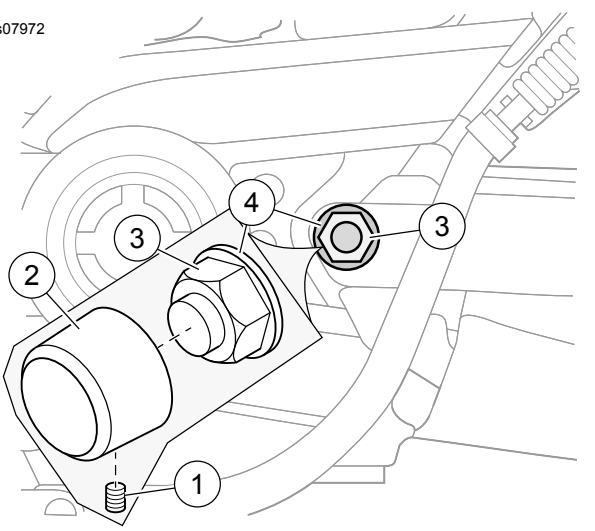
Figure 1. Right Side Pivot Bolt Cover Installation

Left-Side Pivot Bolt Cover Installation

1. See Figure 2. Start a set screw (1) from the kit into the pivot bolt cover (2) (longer) about two or three turns.
2. Note the position of the bottom-most flat on the rear fork pivot nut (3). Line up the pivot bolt cover over the bolt head so the set screw is centered on the hex flat. Verify that the washer (4) is centered and the cover fits. If not, refer to the service manual on how to loosen and tighten the pivot bolt. Tighten the set screw securely to the head of the rear fork pivot nut.



is07972



- 1. Set screw
- 2. Left side pivot nut cover
- 3. Left side rear fork pivot nut
- 4. Washer

Figure 2. Left side Pivot Nut Cover Installation

SERVICE PARTS

is07974

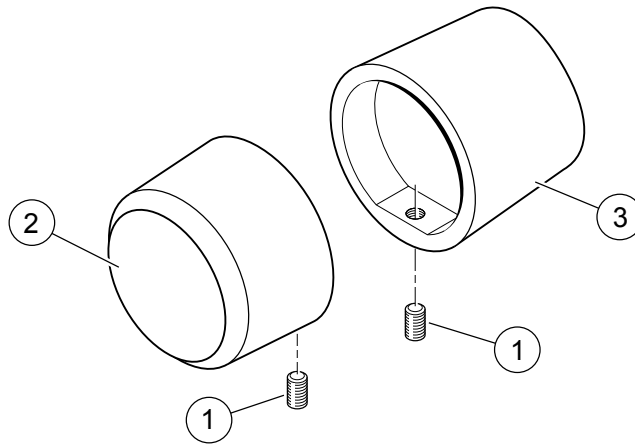


Figure 3. Service Parts: XG500 and XG750 Pivot Bolt Cover Kit

Table 1. Service Parts: Pivot Bolt Cover Kits

Item	Description (Quantity)	Part Number
1	Set screw, hex socket, M5 x .8mm, cup point, locking (2)	10200307
2	Cover, pivot bolt, RH	61400270
3	Cover, pivot nut, LH	61400271