



INSTRUCTIONS

-J05129

REV. 2010-10-15

CHROME SWITCH PANEL ACCENT KIT

GENERAL

Kit Number

61400001

Models

For model fitment information, see the P&A retail catalog or the Parts and Accessories section of www.harley-davidson.com (English only).

Kit Contents

Table 1. Kit Contents

Item	Description (Quantity)
1	Switch panel accent cover, chrome
2	Switch cover, black (3)
3	Alcohol pad

There are no service parts available for this kit.

INSTALLATION

NOTES

- Ambient temperature should be **at least** 60 °F (16 °C) for proper adhesion of the chrome accent to the inner fairing cap.
- Test-fit the chrome accent to the inner fairing cap before installation. Do not remove the liners until ready to permanently apply the accent.
- Check for adequate clearance between the accent and the fuel tank console. It may be necessary to loosen and adjust the fuel tank console to provide clearance.

1. See Figure 1. Get the alcohol wipe (3) from the kit. Open the packet, and use the wipe to thoroughly clean the inner fairing cap (4) top and sides of any dirt or grease.
2. On the back of the chrome accent (1), use a fingernail to rub the liners of the adhesive backing to activate the adhesive. Peel both liners from the adhesive backing of the chrome accent.

NOTE

Center the chrome accent over the ignition switch and accessory switches. Make sure the accent is pushed forward as far as possible to avoid contact with the fuel tank console during vehicle operation.

3. Carefully position the accent to the inner fairing cap, and press firmly into position. Hold the accent in position with steady pressure for about one minute.
Allow **AT LEAST** 24 hours after applying the accent before exposing the area to vigorous washing, strong water spray or extreme weather.
4. If desired, the black switch covers (2) can be installed in the switch openings of the accent located over unused switch positions.
 - a. Use the alcohol wipe from the kit to thoroughly clean the top of the original equipment (OE) switch hole plug of any dirt or grease.
 - b. On the back of the switch cover, use a fingernail to rub the liner of the adhesive backing to activate the adhesive. Peel off the liner.
 - c. Carefully center the switch cover within the switch opening, and press firmly into place. Hold in position with steady pressure for about one minute.

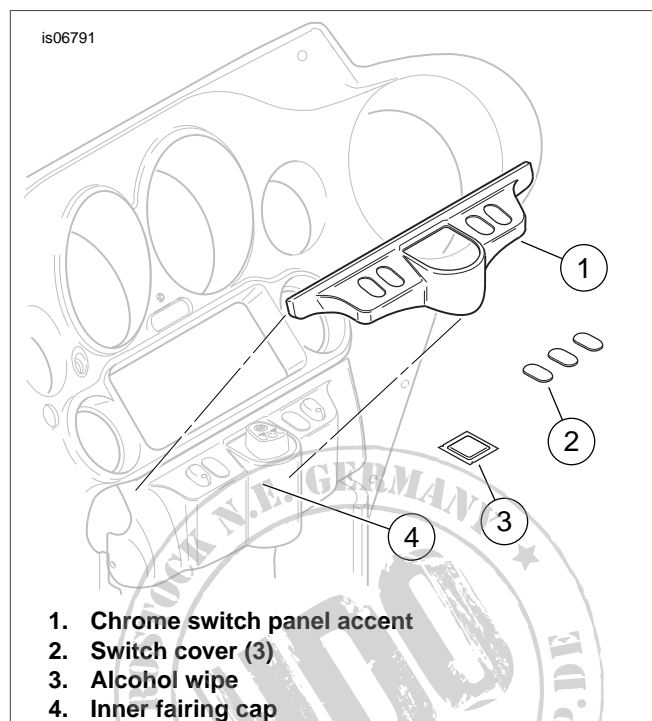


Figure 1. Switch Panel Accent Installation