



INSTRUCTIONS

-J06316

2016-11-10

AIR CLEANER COVER INSERTS

GENERAL

Kit Numbers

61300654, 61300655, 61300656, 61300657, 61300658

Models

For model fitment information, see the P&A retail catalog or the Parts and Accessories section of www.harley-davidson.com (English only).

Installation Requirements

Loctite[®] 243 Medium Strength Threadlocker and Sealant - Blue (Part No. 99642-97) is required for proper installation of this kit.

Kit Contents

See Figure 1, Figure 2 and Table 1.

The insert attaching screws (1) are the only service parts available with this kit.

PREPARATION

1. See Figure 1. Remove the original equipment (OE) insert from the air cleaner cover (B).
 - a. Push a thin-blade putty knife between trim (3) and air cleaner cover while pulling trim away from cover.
 - b. Remove all tape and adhesive residue from the air cleaner cover.

NOTE

Air cleaner cover (B) and gasket (C) do not require removal.

2. Remove OE screw (A). Save for assembly.

INSTALLATION

"Live To Ride" Insert

1. See Figure 1. Thoroughly clean area (D) with a 50:50 mix of rubbing alcohol and water. Allow to dry completely.
2. Align the gasket (4) to the back side of the trim plate (3).

NOTE

Verify that gasket (4) has not become dislodged.

3. Leave Dual Lock fastener (5) mating halves assembled to the trim plate. Remove tape protecting adhesive on exposed face of each fastener.
4. Visually align trim plate (3) with cover (B). Press firmly in fastener area (D) to secure. Hold for 30 seconds.

5. Insert the OE screw (A) removed earlier. Apply a few drops of Loctite 243 Medium Strength Threadlocker and Sealant - Blue to the **clean** screw threads. Tighten to:
Torque: 4.1–6.8 N·m (36–60 **in-lbs**) *screw*
6. Leave Dual Lock fastener attached to the decorative insert (2). Remove tape protecting adhesive on exposed face of each fastener.
7. Visually align decorative insert with trim plate (3). Press firmly in fastener area (E) to secure. Hold for 30 seconds.
8. Install the screws (1). Tighten securely.

All Other Insert Styles

1. See Figure 2. Thoroughly clean area (D) with a 50:50 mix of rubbing alcohol and water. Allow to dry completely.

NOTE

Verify that gasket (4) has not become dislodged.

2. Leave Dual Lock fastener (5) halves assembled to the trim plate. Remove tape protecting adhesive on the exposed face of each fastener.
3. Visually align trim plate (3) with cover (B). Press firmly in fastener area (D) to secure. Hold for 30 seconds.
4. Insert the OE screw (A) removed earlier. Apply a few drops of Loctite 243 Medium Strength Threadlocker and Sealant - Blue to the **clean** screw threads. Tighten to:
Torque: 4.1–6.8 N·m (36–60 **in-lbs**) *screw*
5. Install the decorative insert (2) with screws (1). Tighten securely.



SERVICE PARTS

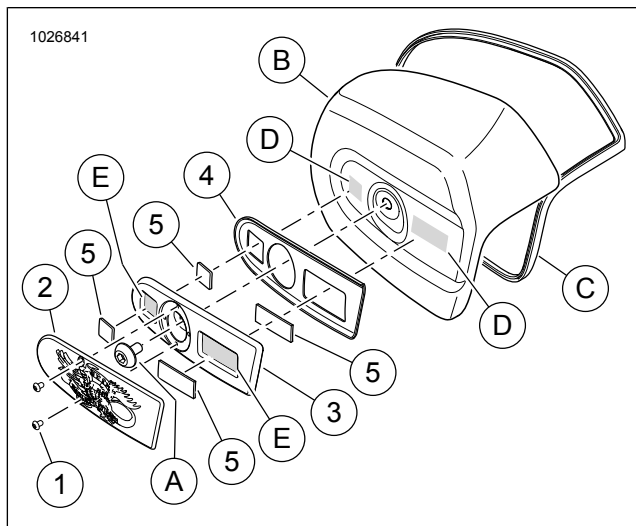


Figure 1. Service Parts, Live to Ride Air Cleaner Trim Kit

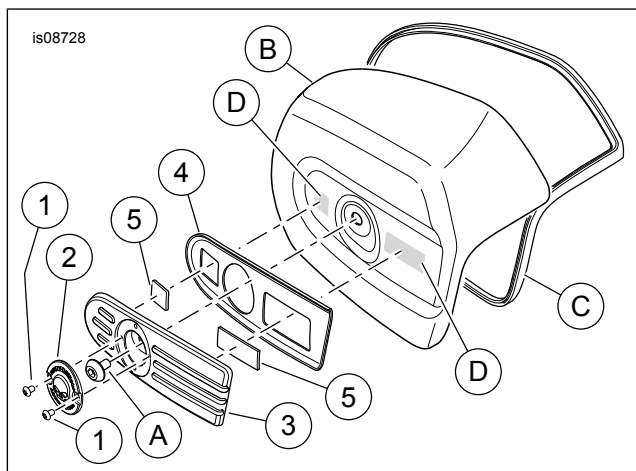


Figure 2. Service Parts, All Other Air Cleaner Trim Kits

Table 1. Service Parts

Item	Description (Quantity)	Part Number
1	Screw, TORX® head (2), #8-36 x 1/4 in long	10500039
2	Decorative insert	Not sold separately
3	Trim plate	Not sold separately
4	Gasket	Not sold separately
5	Dual Lock fastener	Not sold separately
Items mentioned in text, but not included in kit.		
A	Original equipment (OE) screw	
B	OE air cleaner cover assembly	
C	OE air cleaner cover gasket	
D	Thoroughly clean shaded area	
E	Thoroughly clean shaded area	