



# INSTRUCTIONS

-J05907

2015-03-18

## AIR CLEANER COVER TRIM KIT

### GENERAL

#### Kit Numbers

61300227 , 61300228 , 61300229 , 61300520

#### Models

For model fitment information, see the P&A retail catalog or the Parts and Accessories section of [www.harley-davidson.com](http://www.harley-davidson.com) (English only).

#### Kit Contents

See Figure 3 and Table 1.

### REMOVAL

#### ⚠ WARNING

To prevent accidental vehicle start-up, which could cause death or serious injury, remove main fuse before proceeding. (00251b)

1. See the owner's manual. Remove main fuse.

#### NOTE

The original equipment (OE) cover trim is held in place with adhesive. Avoid damaging air cleaner cover during removal.

2. See Figure 1. Carefully pry off existing cover trim. Clean any residual adhesive from the air cleaner cover.
3. Remove air cleaner cover screw (1). Retain screw for installation.

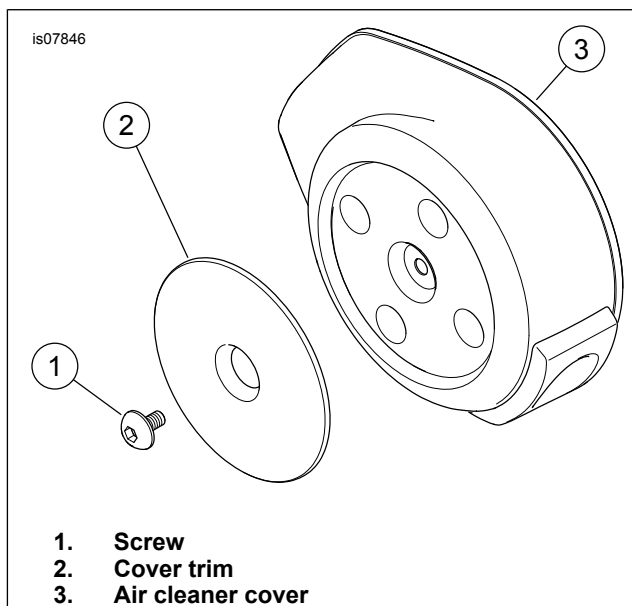


Figure 1. Remove OE Trim

### INSTALLATION

1. See Figure 2. Secure bracket (4) and air cleaner cover (5) with cover screw (3) removed earlier. Align one bracket spoke toward the top. Tighten to 6–8 N·m (53–71 in-lbs).
2. Install cover trim (2) with five screws (1). Tighten to 3.4–4.2 N·m (30–37 in-lbs).
3. See the owner's manual. Install main fuse.

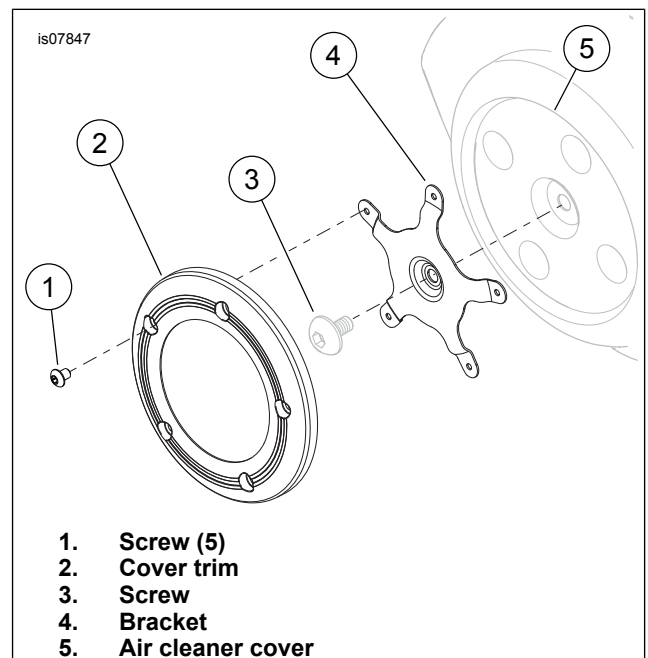


Figure 2. Install Cover Kit

## SERVICE PARTS

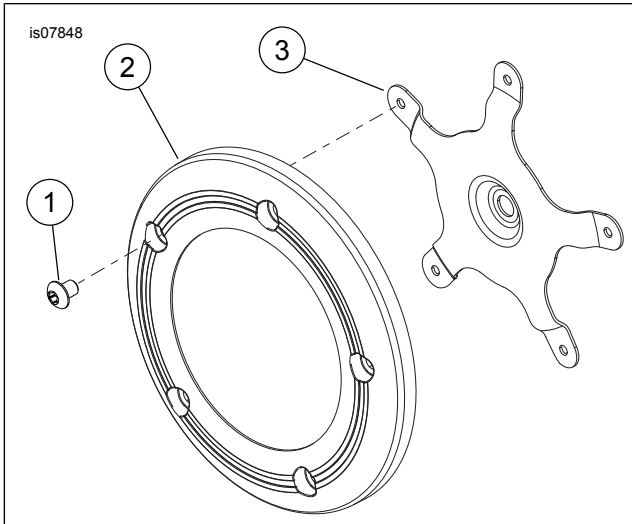


Figure 3. Service Parts: Air Cleaner Cover Kit

Table 1. Service Parts

Item	Description (Quantity)	Part Number
1	TORX button head cap screw (5)	94590-98
2	Cover trim	Not sold separately
3	Bracket	61300240