



INSTRUCTIONS

-J06080

2014-10-01

DUCT TRIM

GENERAL

Kit Number

61300461, 61300505

Models

For model fitment information, see the P&A Retail Catalog or the Parts and Accessories section of www.harley-davidson.com (English only).

Installation Requirements

⚠ WARNING

The rider's safety depends upon the correct installation of this kit. Use the appropriate service manual procedures. If the procedure is not within your capabilities or you do not have the correct tools, have a Harley-Davidson dealer perform the installation. Improper installation of this kit could result in death or serious injury. (00333a)

Kit Contents

See Figure 1. There are no service parts for this kit.

INSTALLATION

⚠ WARNING

To prevent accidental vehicle start-up, which could cause death or serious injury, remove main fuse before proceeding. (00251b)

NOTE

Do not leave windshield in place with outer fairing removed. Windshield could fall and be damaged.

1. See the service manual. Remove main fuse.
2. See the service manual. Remove outer fairing and windshield.
3. Disconnect the headlamp.
4. Working from the inside of the fairing, separate the installed duct trim from the fairing by slicing through the adhesive with a thin blade.
5. Clean with a mixture of 50-70 percent isopropyl alcohol and 30-50 percent distilled water. Allow to dry completely. Make sure that the fairing is free of any residual adhesive.

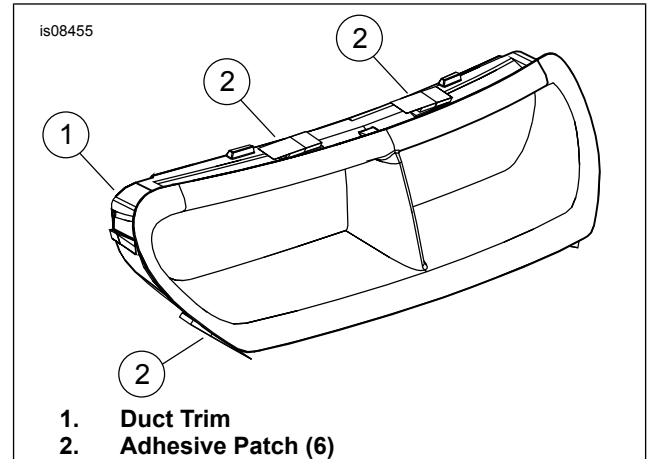


Figure 1. Duct Trim

6. Remove the backing from the adhesive patches on the new duct trim.
7. Insert the new duct trim by placing the top edge of the trim into position first. Then push the lower edge into position.
8. Apply even pressure to the trim surfaces in the areas of the adhesive patches.
9. See the service manual. Connect the headlamp. Install the outer fairing and windshield.
10. See the service manual. Install the main fuse.