



# INSTRUCTIONS

-J05540

2011-09-08

## AIR CLEANER COVER

### GENERAL

#### Kit Number

61300120, 61300128

#### Models

For model fitment information, see the P&A retail catalog or the Parts and Accessories section of [www.harley-davidson.com](http://www.harley-davidson.com) (English only).

#### Additional Parts Required

##### NOTE

*Screamin' Eagle Air Cleaner Assemblies can be purchased separately or as a component part of a Screamin' Eagle Stage Kit. Contact your Harley-Davidson dealer for information.*

### SERVICE PARTS

#### Kit Contents

See Figure 1 and Table 1.

#### INSTALLATION

1. Remove air cleaner cover screw and air cleaner cover.

##### NOTE

*Before installing screw (2), apply Loctite 243 (blue) (Harley-Davidson part number 99642-97) to screw threads.*

2. Install new air cleaner cover (1) (with cutout facing down). Use screw (2) to secure cover in place. Tighten screw to 3-5 ft-lbs (4-7 Nm).

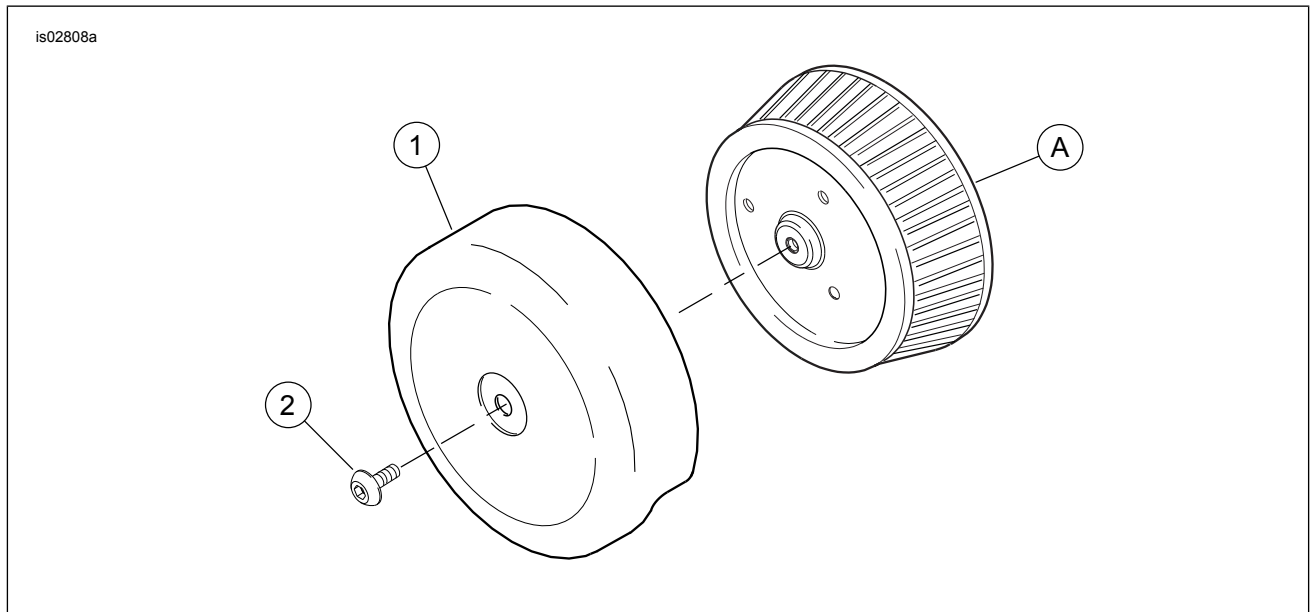


Figure 1. Service Parts: Air Cleaner Cover

Table 1. Service Parts Table

Item	Description (Quantity)	Part Number
1	Air Cleaner Cover	Not sold separately
2	Screw	94599-98
<b>Items mentioned in text but not included in kit:</b>		
A	Air filter	

