



INSTRUCTIONS

-J04703

REV. 2009-11-23

SIDE MOUNT LICENSE PLATE KIT

GENERAL

Kit Number

60938-10, 60947-10

Kit Contents

See Figure 2 and Table 1.

Models

For model fitment information, see the P&A Retail Catalog or the Parts and Accessories section of www.harley-davidson.com (English only).

Additional Parts Required

⚠ WARNING

The rider's safety depends upon the correct installation of this kit. Use the appropriate service manual procedures. If the procedure is not within your capabilities or you do not have the correct tools, have a Harley-Davidson dealer perform the installation. Improper installation of this kit could result in death or serious injury. (00333a)

NOTE

This instruction sheet references service manual information. A service manual for your model motorcycle is required for this installation and is available from a Harley-Davidson Dealer.

INSTALLATION

⚠ WARNING

Disconnect negative (-) battery cable first. If positive (+) cable should contact ground with negative (-) cable connected, the resulting sparks can cause a battery explosion, which could result in death or serious injury. (00049a)

1. Refer to the service manual and follow the instructions given to remove the seat and disconnect the battery cables, negative cable first.
2. Remove the existing license plate and bracket from the rear fender.
3. See Figure 1. Install fender hole cover and attach assembly (1) to fender with push nuts (2).
4. See Figure 2. Install light (6) to the license plate mount (8) using screws (5).
5. Remove left turn signal according to service manual instructions.
6. Remove frame rail cover mounting screws from the left side of the motorcycle and remove the frame rail cover (B) and mounting bracket (C).

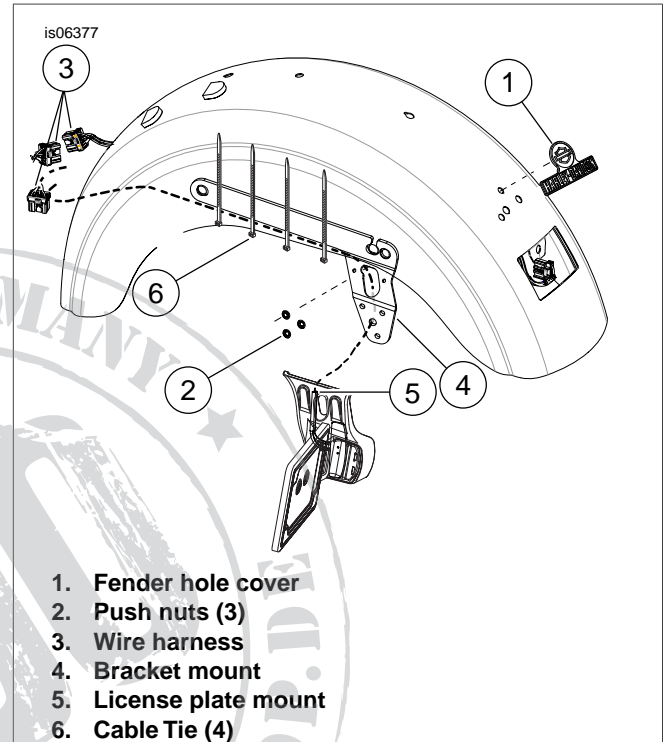


Figure 1. Wire Harness Routing and Fender Hold Cover

7. See Figure 2. **DYNA MODELS:** Slide the mount bracket (1) between the fender and frame rail and the mounting bracket (C) behind the fender. Install the spacer (2) around the front hole in the license plate bracket (1). Install the frame rail cover (B) and install the screws. Leave the screws loose so the license plate wiring can be installed. **SPORTSTER MODELS:** Position the mount bracket (10) between the fender and frame rail. Install the frame rail cover (B) and the screws. Install mounting bracket (C) behind the fender. Leave the screws loose so the license plate wiring can be installed.
8. See Figure 1. Connect the kit wiring harness to the rear fender connectors (3) for the tail lights. Route light wire between the mount bracket (1 or 10) and the license plate mount. Pass the wires through the hole in the mount bracket.
9. See Figure 2. Assemble license plate mount (8) to the mount bracket with screws (4). Torque to 8-10 ft-lbs (10.8-13.5 Nm).
10. See Figure 1. Route the wire harness along the underside of the mount bracket (1 or 10) and use four cable ties to attach the wires to the mount bracket. Connect the light wires to the harness (3).

11. See Figure 2. Install the license plate to the license plate mount (8) and install the frame cover (9) using set screws (7).
12. Install the left side turn signal using procedure from service manual.

Sportster only: Discard the original screw and use new screw (p/n 5531) from kit.

13. Refer to the service manual and follow the instructions given to connect the battery cables, positive cable first, and install the seat .

SERVICE PARTS

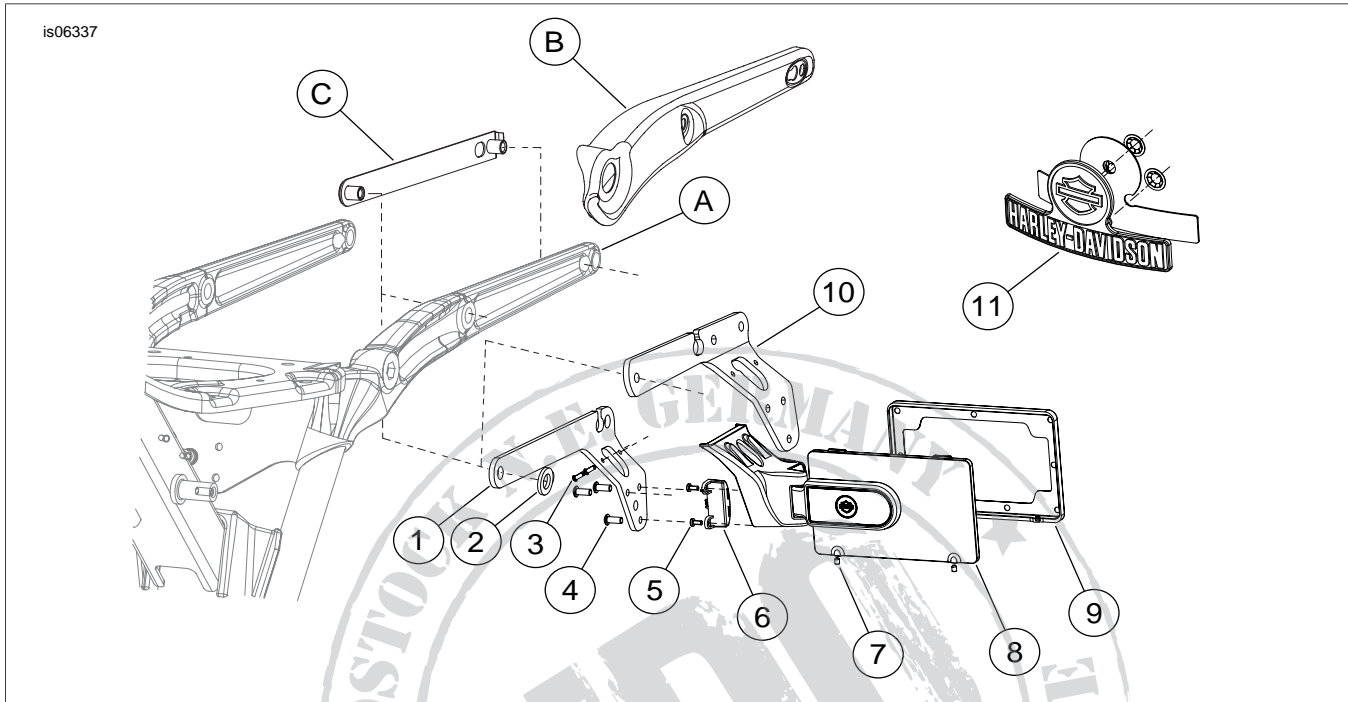


Figure 2. Service Parts: Side Mount License Plate Kit

Table 1. Service Parts Table

Item	Description (Quantity)	Part Number
1	Dyna mount bracket	Not Sold Separately
2	Spacer	Not Sold Separately
3	Button head screw	Not Sold Separately
4	Button head screw	Not Sold Separately
5	Pan head TORX® screw	Not Sold Separately
6	License plate light	Not Sold Separately
7	Set screw	Not Sold Separately
8	License plate mount	Not Sold Separately
9	License plate frame cover	Not Sold Separately
10	XL mount bracket	Not Sold Separately
11	Fender hole cover	60311-10
Items mentioned in text, but not included in kit:		
A	Frame rail	
B	Frame rail cover	
C	Mounting bracket	