



INSTRUCTIONS

-J04639

2009-04-29

CHROME INNER PRIMARY COVERS

GENERAL

Kit Number

60869-10

Models

For model fitment information, see the P&A Retail Catalog or the Parts and Accessories section of www.harley-davidson.com (English only).

Kit Contents

See Figure 2 and Table 1.

INSTALLATION

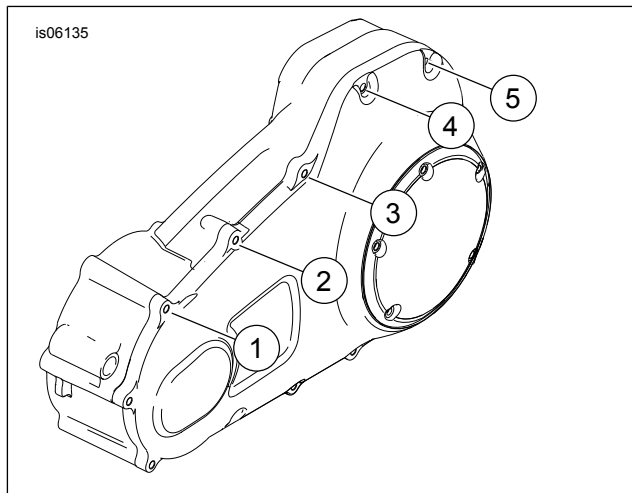


Figure 1. Remove Original Equipment Screws 1, 2, 3 and 5 As Shown. Do not remove screw 4.

1. See Figure 1. Remove screws as shown. Discard screws (1), (2) and (3) and screw (5). **Do not** remove screw (4).
2. See Figure 2 and Table 1. Position the front and rear primary cover assemblies (1 and 2) so that the tab in the front cover aligns with the slot in the rear cover. Fasten the front and rear covers together loosely with screw (3).
3. Position the front of the cover assembly first and then slide the rear section into place on the inner primary. Tighten the screw (3).
4. Install a locating washer (6) between the stock primary cover and the cover assembly for the front three screws. The rounded side of the washer will face the primary cover. Install the front three screws to the primary cover but do not tighten.
5. Install the stock rear screw to through the inner primary cover tab to the stock primary cover. Tighten all four screws to 12.2–13.6 N·m (108–120 **in-lbs**).
6. Install the five Allen hole plug (7) covers to the heads of the five exposed screws.
7. Check for proper shift linkage operation and clearance before operating the motorcycle.



SERVICE PARTS

is06134

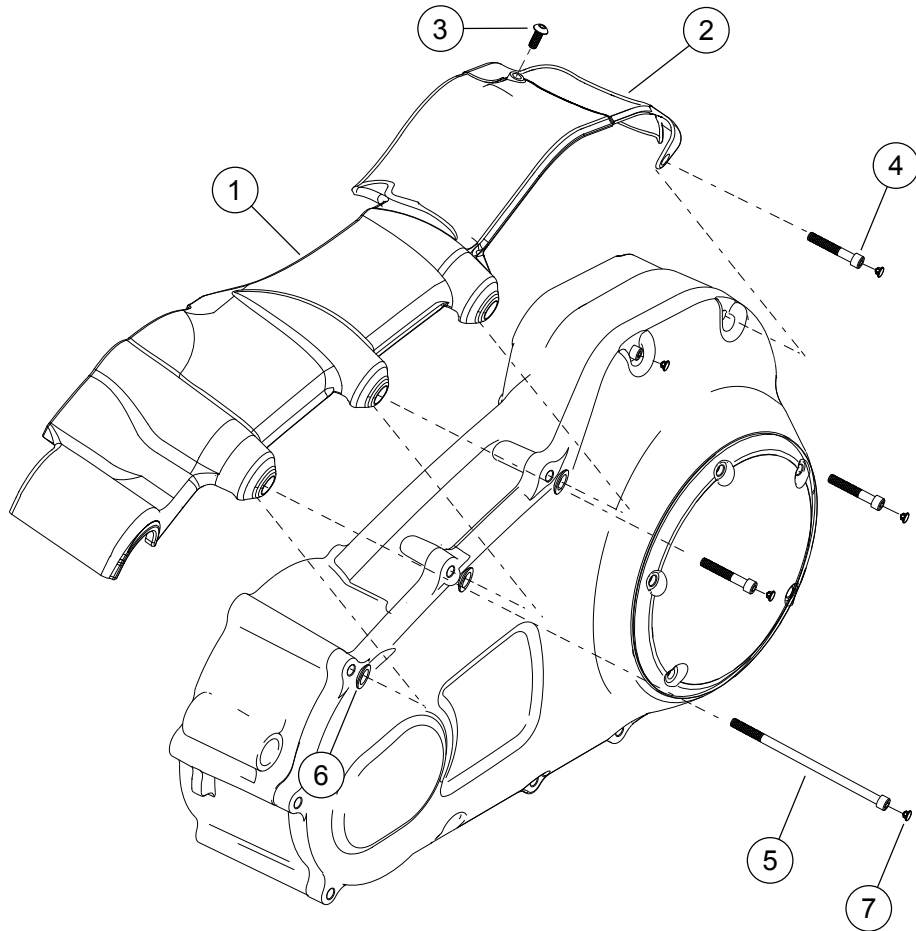


Figure 2. Service Parts: Chrome Inner Primary Covers

Table 1. Service Parts

Item	Description (Quantity)	Part Number
1	Inner primary cover, front	Not Sold Separately
2	Inner primary cover, rear	Not Sold Separately
3	Button head screw, 10-24 x 0.50 in.	Not Sold Separately
4	Screw, 1/4-20 x 1-1/2 in. (2)	Not Sold Separately
5	Screw, 1/4-20 x 5 in.	Not Sold Separately
6	Locating washers (3)	Not Sold Separately
7	Allen hole plug (5)	94130-93T