



# INSTRUCTIONS

-J04641

REV. 2009-04-29

## CHROME INNER PRIMARY COVERS

### GENERAL

#### Kit Number

60849-10, 60868-10, 60870-10

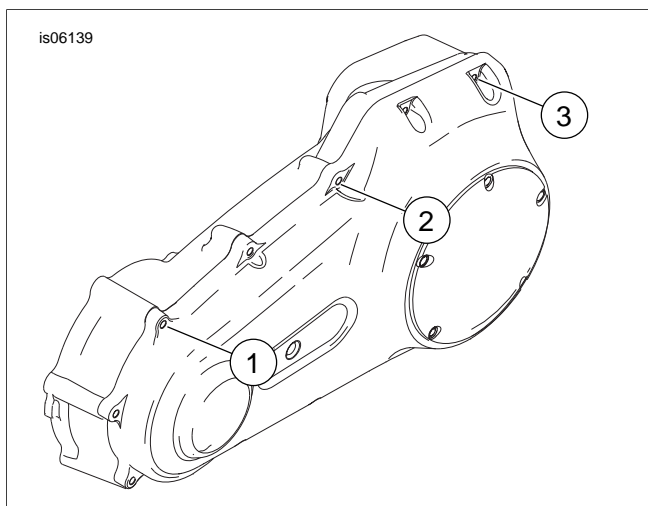
#### Models

For model fitment information, see the P&A Retail Catalog or the Parts and Accessories section of [www.harley-davidson.com](http://www.harley-davidson.com) (English only).

#### Kit Contents

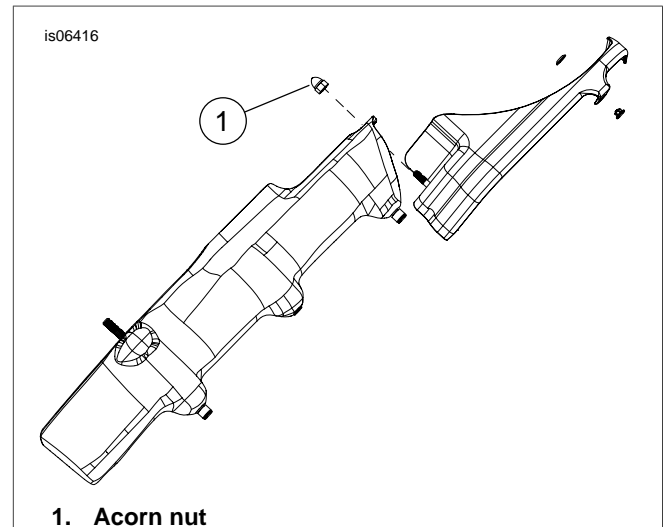
See Figure 3 and Table 1.

### INSTALLATION



**Figure 1. Remove Three Original Equipment Screws As Shown**

1. See Figure 1. Remove the stock fasteners as shown in Figure 1. Save screw (3) for reuse.
2. Install the stock fastener in the rear inner cover. Place a locating washer over the fastener with the rounded side facing toward the hole in the primary chain case.
3. Slide the rear inner cover into place and loosely secure it with the stock fastener.



**Figure 2. Fasten Front And Rear Inner Primary Covers Together**

4. See Figure 2. Position the front inner cover over the rear inner cover and make sure that the hole in the front cover fits over the threaded stud in the rear cover. Secure the covers together with the acorn nut installed finger tight.
5. See Figure 3 and Table 1. Place the new 4.25 inch (5) and 1-1/2 inch (4) screws in the front inner primary cover. Place locating washers (6) over the fasteners with the rounded side of the washer facing toward the hole in the primary chain case.
6. Tighten all three screws to 108-120 **in-lbs** (12.2-13.6 Nm).
7. Tighten the acorn nut.
8. Push the Allen hole plugs (7) into the four exposed screw heads.

#### NOTE

*Make sure the covers are properly aligned and that they do not interfere with the shift linkage and have proper clearance of moving parts before operating the motorcycle.*

# SERVICE PARTS

is06143

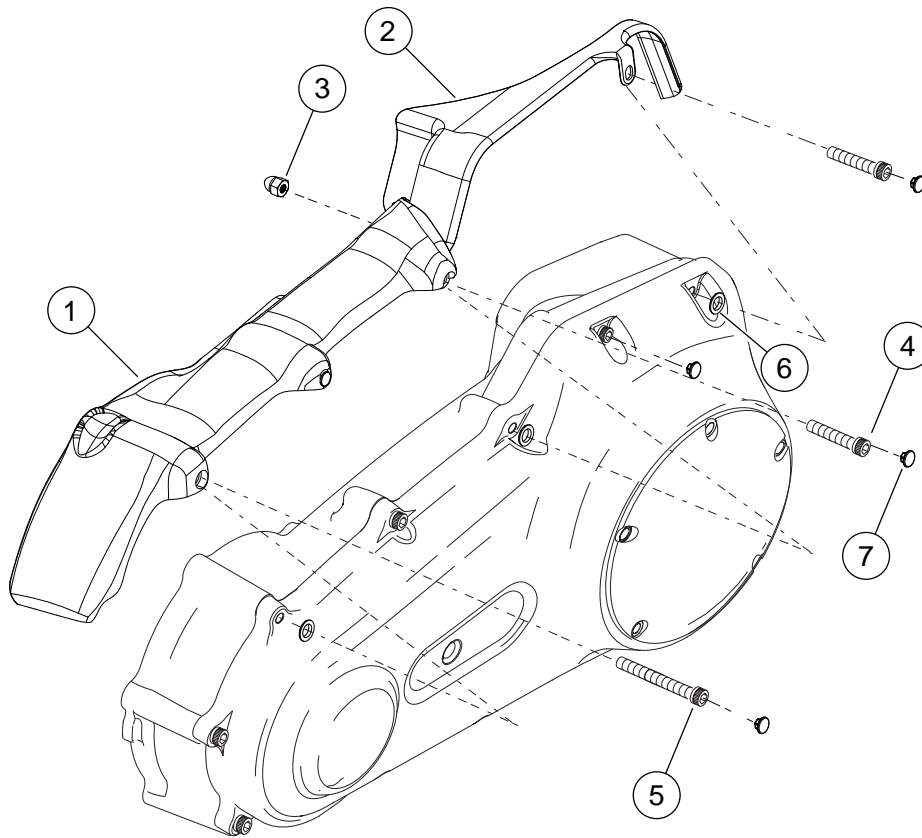


Figure 3. Service Parts: Chrome Inner Primary Covers

Table 1. Service Parts

Item	Description (Quantity)	Part Number
1	Inner primary cover, front	Not Sold Separately
2	Inner primary cover, rear	Not Sold Separately
3	Acorn nut, 10-24	Not Sold Separately
4	Screw, 1/4-20 x 1-1/2 in.	Not Sold Separately
5	Screw, 1/4-20 x 4.25 in.	Not Sold Separately
6	Locating washers (3)	Not Sold Separately
7	Allen hole plug (4)	94130-93T

