



INSTRUCTIONS

-J03673

REV. 2007-02-20

CHROME PRIMARY COVER HARDWARE KIT

GENERAL

Kit Number

60801-06

Models

For model fitment information, please see the P&A Retail Catalog or the Parts and Accessories section of www.harley-davidson.com (English only).

Kit Contents

See Figure 1 and Table 1.

Table 1. Kit Contents

Description (Quantity)	Part Number
Screw, hex socket head, 1/4-20 x 1-3/8 in. (chrome) (9)	3125
Screw, hex socket head, 1/4-20 x 4 in. (chrome) (4)	1758
Screw, button head, TORX® 1/4-20 x 11/16 in. (chrome) (5)	94292-04
Washer, flat (chrome) (18)	94062-03

INSTALLATION

⚠ WARNING

To prevent accidental vehicle start-up, which could cause death or serious injury, disconnect negative (-) battery cable before proceeding. (00048a)

1. Disconnect battery cable, negative (-) cable only.

NOTES

Replace existing zinc hardware with chrome plated hardware one at a time so the primary chaincase and clutch cover gaskets do not need to be replaced.

2. Remove and discard existing nine 1/4-20 x 1-3/8 in. hex socket head screws with captive washers from chaincase.

3. Install nine chrome hex socket head screws (1) and washers (2) on chaincase (3). Tighten screws to 108-120 in-lbs (12.2-13.6 Nm) .
4. Remove and discard existing four 1/4-20 x 4 in. hex socket head screws with captive washers from chaincase.
5. Install four chrome hex socket head screws (4) and washers (2) on chaincase (3). Tighten screws to 108-120 in-lbs (12.2-13.6 Nm) .
6. Remove and discard existing five 1/4-20 x 11/16 in. button head TORX® screws with captive washers from clutch cover.
7. Install five chrome button head TORX® screws (5) and washers (2) on clutch cover (6). Tighten screws to 84-108 in-lbs (9.5-12.2 Nm) .
8. Connect negative (-) battery cable.

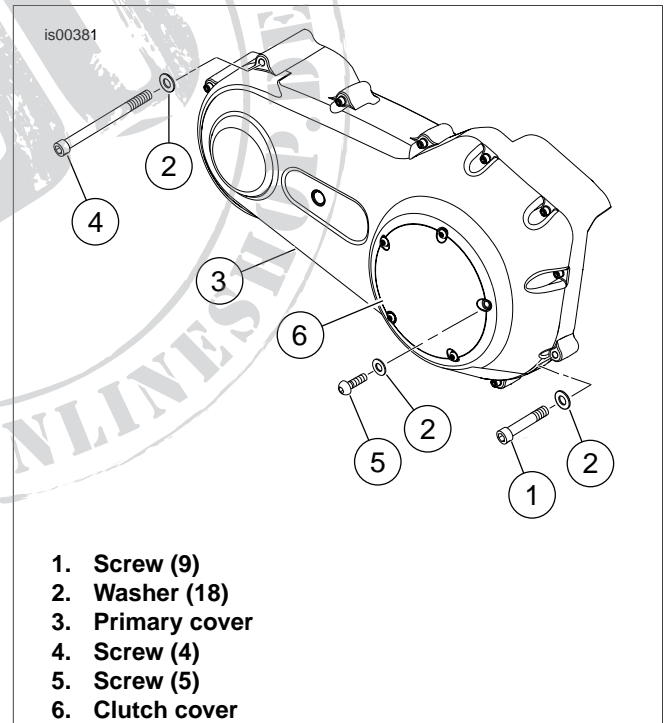


Figure 1. Primary Cover and Hardware