



# INSTRUCTIONS

-J05345

REV. 2011-05-04

## DYNA EVAPORATIVE CANISTER RELOCATION KIT

### GENERAL

#### Kit Number

60800005

#### Models

For model fitment information, see the P&A Retail Catalog or the Parts and Accessories section of [www.harley-davidson.com](http://www.harley-davidson.com) (English only).

#### Additional Parts Required

Separate purchase and installation of additional parts or accessories may be required for proper installation of this kit on your model motorcycle. See the P&A Retail Catalog or the Parts and Accessories section of [www.harley-davidson.com](http://www.harley-davidson.com) (English only) for a list of required parts or accessories for your model.

### **WARNING**

The rider's safety depends upon the correct installation of this kit. Use the appropriate service manual procedures. If the procedure is not within your capabilities or you do not have the correct tools, have a Harley-Davidson dealer perform the installation. Improper installation of this kit could result in death or serious injury. (00333a)

#### Kit Contents

See Figure 2 and Table 1.

### INSTALLATION

1. Disconnect the evaporative emission hoses (1) from the canister. Mark the hoses if necessary for reconnection. Do not remove the hoses from the opposite end connections.
2. Use a jack to support the front of the motor. Remove the canister from the brackets. Remove the canister bracket. Save the motor mount screws.
3. Install the canister to the new bracket.
4. Install the canister assembly to the motor mount using the OE screws. Tighten the screws to 18-22 ft-lbs (24.4-29.9 Nm).
5. Remove the jack.
6. Connect the hoses to the canister.

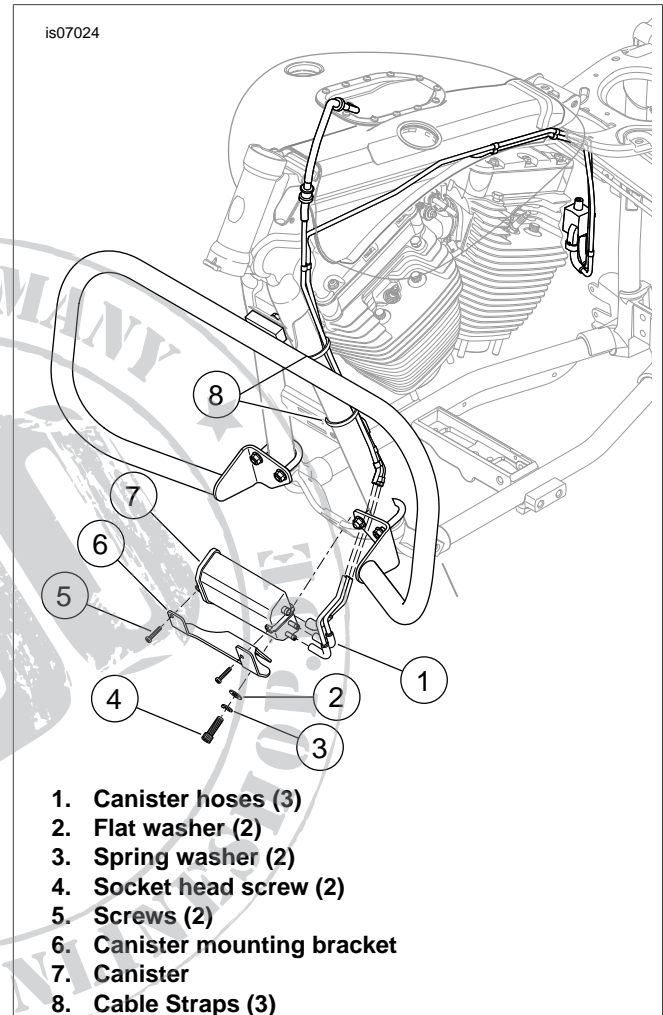
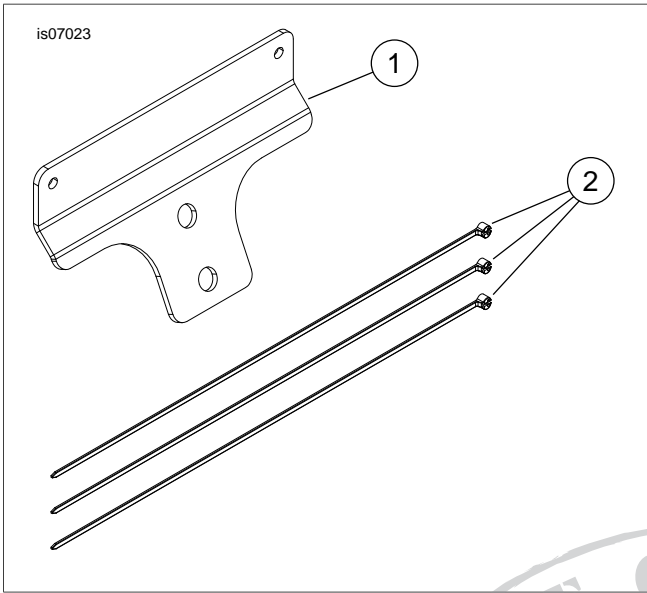


Figure 1. Canister Relocation

## SERVICE PARTS

Table 1. Service Parts Table



Item	Description (Quantity)	Part Number
1	Canister bracket	Not Sold Separately
2	Cable strap (3)	10039

Figure 2. Service Parts: Dyna Canister Relocation

