



INSTRUCTIONS

-J03904

REV. 2006-05-05

CHROME DEBRIS DEFLECTOR COVER

GENERAL

Kit Number

60489-06A, 60514-07

Models

Kit 60489-06 fits all 2006 Dyna models.

Kit 60514-07 fits all 2007 Dyna models, stock on FXDSE.

Kit Contents

See Table 1.

INSTALLATION

NOTE

The chrome debris deflector cover mounts over the existing deflector.

1. See Figure 1. Remove and discard rear two screws attaching debris deflector (B) on rear rear fork (A). The front screw (C) does not need to be removed.
2. Slide the chrome cover (1) over the debris deflector, making sure the lower and front edge of the deflector is inserted into the edge clips of the cover.
3. Install chrome cover on debris deflector and rear fork using two washers (3) and screws (2) from kit. Tighten to 40-60 in-lbs (4.5-6.8 Nm).
4. Make sure chrome debris deflector cover does not contact drive belt, tire, or wheel. If necessary, loosen mounting screws and reposition for clearance.

SERVICE PARTS

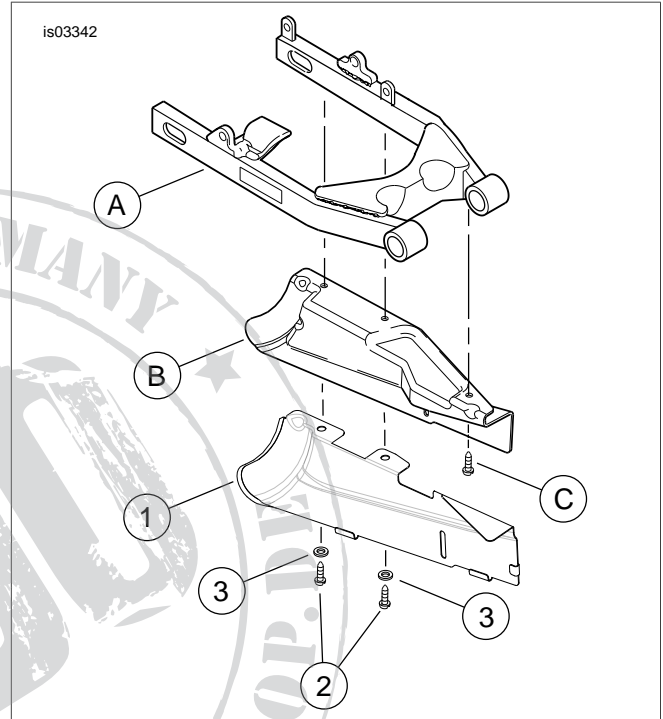


Figure 1. Service Parts: Chrome Debris Deflector Cover

Table 1. Service Parts

Kit	Item	Description (Quantity)	Part Number
60489-06A	1	Debris deflector cover (chrome)	60489-06
	2	Screw (2)	3765
	3	Washer (2)	6228W
60514-07	1	Debris deflector cover (chrome)	60638-07
	2	Screw (2)	3765
	3	Washer (2)	6228W
Items mentioned in text, but not included in kit.			
	A	Rear fork	
	B	Debris deflector	
	C	Screw	