



INSTRUCTIONS

-J02617

REV. 2006-11-27

SOFTAIL CHROME LOWER BELT GUARD

GENERAL

Kit Number

60316-00A

Models

For model fitment information, please see the P&A Retail Catalog or the Parts and Accessories section of www.harley-davidson.com (English only).

NOTE

A Service Manual for your motorcycle is available at any Harley-Davidson Dealer.

Kit Contents

Table 1. Kit Contents

Description (Quantity)	Part Number
Chrome lower belt guard	Not Sold Separately
Washer, 5/16 inch	6702

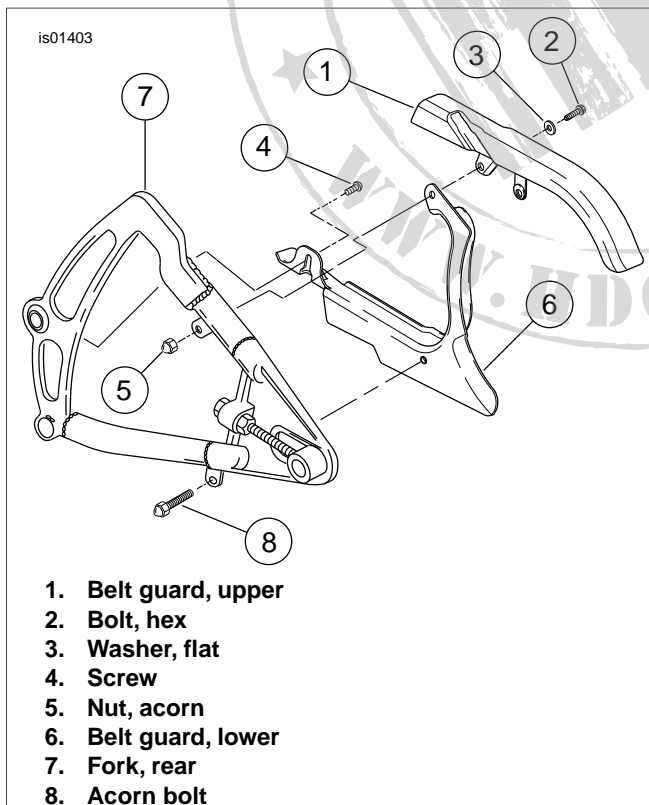


Figure 1. Stock Belt Guard Removal

REMOVING STOCK PLASTIC LOWER BELT GUARD

- See Figure 1. Remove the hex head bolt (2), washer (3), acorn nut (5), hex head screw (4) and acorn bolt (8) attaching plastic belt guard to rear fork.
- Remove the plastic belt guard. Save fasteners (2), and (4), washer (3), acorn nut (5) and acorn bolt (8) for installing new chrome belt guard.

INSTALLING CHROME LOWER BELT GUARD

- See Figure 2. Position the new chrome belt guard from kit over belt. Align the holes in guard with mounting lugs on rear fork. Install acorn bolt (9) through mounting lug and fasten to belt guard. Finger tighten only.
- Install screw (4) with washer (5, from kit) through belt guard and fasten to threaded mounting lug. Position the guard for adequate clearance and finger tighten screw.
- At the upper belt guard, install the original forward hex bolt (2) and original washer (3) through the upper guard and through mounting lug on rear fork. Secure with original acorn nut.
- Tighten all hardware to 110 in-lbs (12.4 Nm).

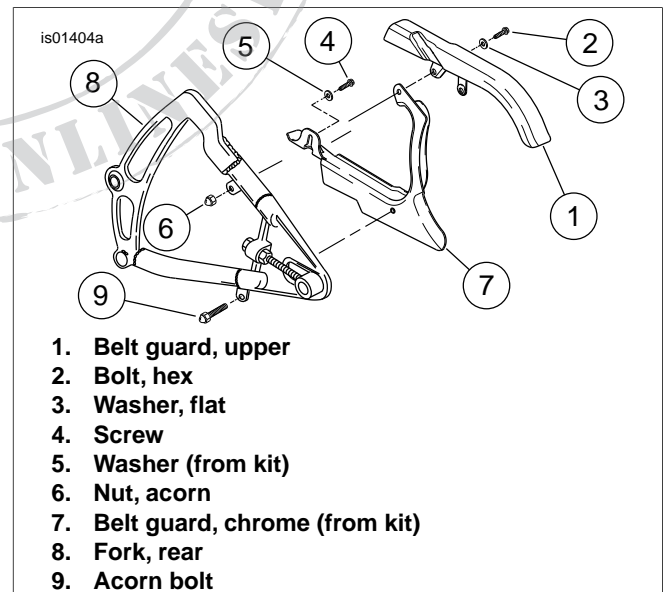


Figure 2. Chrome (Kit) Belt Guard Installation