



# INSTRUCTIONS

-J03424

REV. 2004-08-11

## LICENSE PLATE BACKING PLATE KIT

### GENERAL

#### Kit Number

60041-04

#### Models

This kit fits license plates measuring a maximum of 7-1/4 inch by 4-1/4 inch (18.4 cm x 10.8 cm).

#### Kit Contents

See Figure 2 and Table 1.

There are no Service Parts available with this kit.

### INSTALLATION

1. Remove the screws and nuts fastening the license plate (if installed) to the license plate bracket.
2. See Figure 1. With the tab of the backing plate (2) up and bent **away** from the license plate (5), align the holes in the backing plate with the holes in the license plate.
3. Hook the tab at the top of the backing plate under the stock license plate bracket clamp (6). Insert four screws (4) and flat washers (3) through the holes in the license plate, backing plate and bracket. Install a flat washer (3) and lock nut (1) onto each screw. Tighten nuts to 10 in-lbs (0.1 Nm).

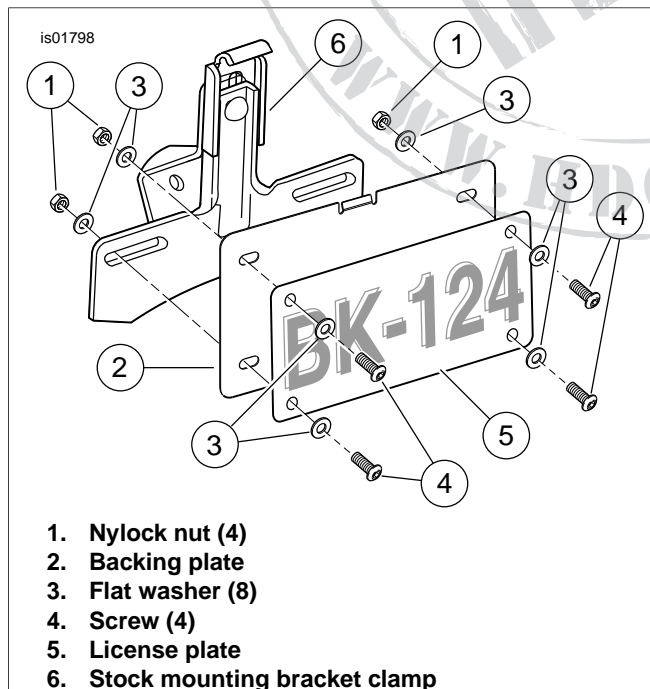


Figure 1. Install License and Frame

### SERVICE PARTS

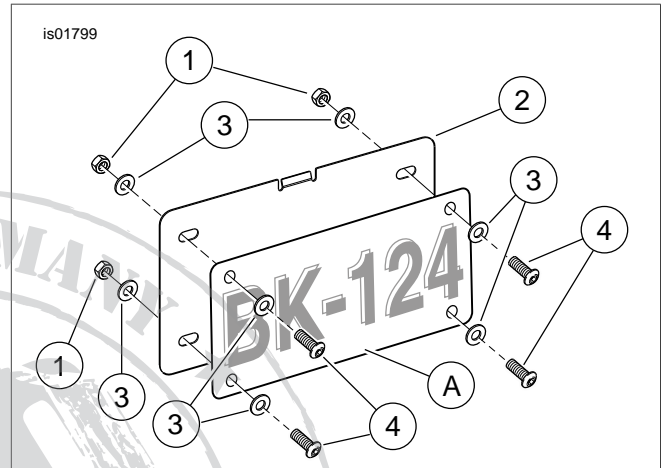


Figure 2. Service Parts: License Plate Backing Plate Kit

Table 1. Service Parts: License Plate Backing Plate Kit

Item	Description (Quantity)	Part Number
1	Nut, Nylock, chrome 1/4-20 (4)	Not Sold Separately
2	Back plate, license plate frame	Not Sold Separately
3	Washer, flat, stainless steel (8)	Not Sold Separately
4	Screw, button head, chrome, 1/4-20 x 3/4 inch (4)	Not Sold Separately
<b>Items not included in kit:</b>		
A	License plate	