



INSTRUCTIONS

-J02755

REV. 2004-03-16

CHROME LICENSE PLATE BRACKET COVER KIT

GENERAL

Kit Number

59726-04

Models

This kit fits 2004 and later VRSC (V-Rod®) Models.

Kit Contents

See Figure 1 and Table 1.

INSTALLATION

1. Remove the current license plate, discarding the existing hardware.
2. Remove and discard the reflector bracket from the license plate bracket.
3. Hold the chrome cover up to the bracket. Align the slots of the cover with the slots in the bracket, and align the two upper holes of the cover with the two upper holes in the bracket. The back of the cover should now mate up to the front surface of the bracket.
4. Assemble the chrome cover to the bracket by inserting one #10-32 flat head screw (7) through the bracket cover. From the back side of the bracket, place one #10 fender washer (6) on the flat head screw (7). Attach with one #10-32 KEPS® nut (5) and tighten securely. Repeat for the other side.
5. Reinstall the license plate by inserting one 1/4-20 button head screw (4) through a 1/4 inch flat washer (3). Insert the screw and washer assembly through the back side of the bracket and through the license plate mounting hole. Attach the license plate with a 1/4 inch flat washer (4) and a 1/4-20 acorn nut (2). Repeat for the second license plate mounting hole.
6. Center the license plate on the cover. Securely tighten the acorn nuts.

SERVICE PARTS

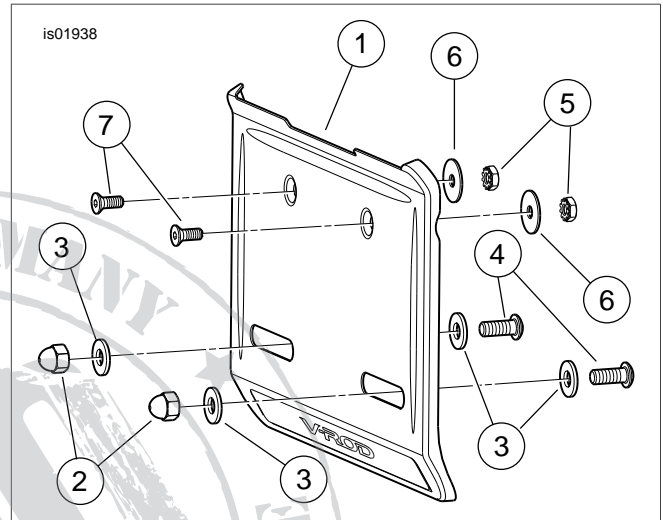


Figure 1. Service Parts: Chrome License Plate Bracket Cover Kit

Table 1. Service Parts

| Item | Description (Quantity) | Part Number |
|------|---|---------------------|
| 1 | Cover, license plate bracket | Not Sold Separately |
| 2 | Acorn nut, 1/4-20, Chrome (2) | 94012-00 |
| 3 | Washer, flat, 1/4 inch, Chrome (4) | Not Sold Separately |
| 4 | Screw, button head, 1/4-20 x 5/8 inch (2) | 94385-92T |
| 5 | Nut, KEPS, #10-32 (2) | Not Sold Separately |
| 6 | Washer, fender, #10 (2) | Not Sold Separately |
| 7 | Screw, flat head, #10-32 x 1/2 in (2) | 94228-00 |