



INSTRUCTIONS

-J05593

2012-04-05

AIR WING FRONT FENDER RAIL

GENERAL

Kit Number

59600012

Models

For model fitment information, see the P&A retail catalog or the Parts and Accessories section of www.harley-davidson.com (English only).

Installation Requirements

Loctite® 271 High Strength Threadlocker and Sealant - Red (Part No. 99671-97) is required for proper installation of this kit.

Kit Contents

See Figure 2 and Table 1.

INSTALLATION

NOTE

See Figure 1. On **FLT and FLHT models**, the original equipment (OE) fender rail (2) and bumper cushion (3) assembly must be removed. Retain the fasteners (4, 5) to mount the fender rail from **this** kit.

1. Reach under the front edge of the fender (1) and remove the locknut (7) and washer (8) holding the fender rail (2) and bumper cushion (3) assembly.
2. **ALL Models:** Bend the forward corner of the lock plate (6) away from the flat on the front bolt head (4) on each side of the fender.
3. Loosen and remove the two front hex head bolts (4) that attach the fender (and fender rail on FLT and FLHT models) to the fender mount on the forks. When the bolts are removed, the washers (5) will fall out.
4. Retain the bolts and washers for installing the **new** fender rail.

NOTE

When installing the fender rail assembly, be sure the fender rails (2) are **between** the fender and lock plate. The washers from Step 3 install between the fender and front fork.

5. See Figure 2. Place the **new** fender rail assembly into position, aligning the slotted hole (A) in the front tip (1) with the weld stud in the front of the fender.
6. Apply a few drops of Loctite 271 - Red to the **clean** original equipment (OE) bolt threads.

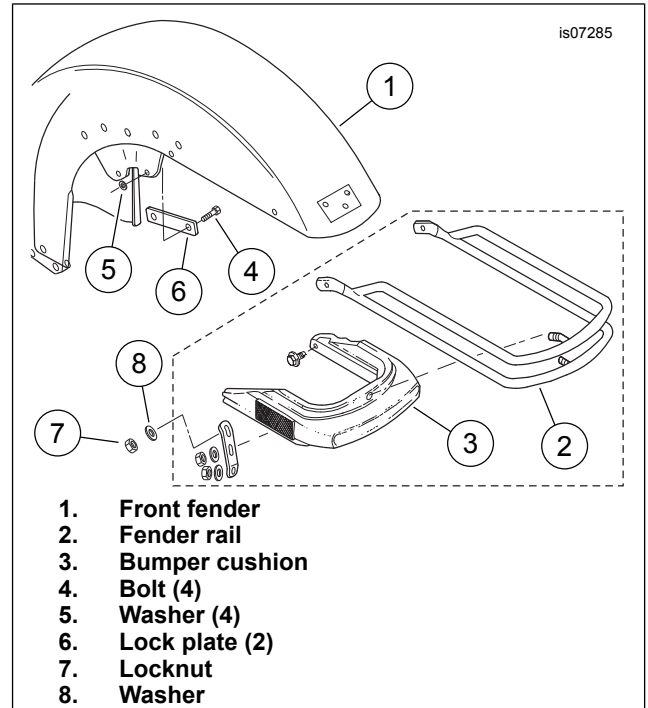


Figure 1. Rail Removal (FLT, FLHT)

7. Loosely secure the fender rails and fender to the front forks with the bolts and washers removed in Step 3.
8. Install the washer (5) and locknut (4) onto the weld stud, and tighten to 13.6 N·m (10 ft-lbs).

NOTE

- Ambient temperature should be **at least** 16 °C (60 °F) for proper adhesion of the reflectors to the fender.
 - Allow **AT LEAST 24 hours** after applying the reflectors before exposing the area to vigorous washing, strong water spray or extreme weather.
 - The adhesive bond will increase to maximum strength after about 72 hours at normal room temperature.
9. Tighten the two hex bolts to 19–24.4 N·m (14–18 ft-lbs).

⚠ WARNING

Federal Motor Vehicle Safety Standard (FMVSS) 108 requires motorcycles to be equipped with rear and side reflectors. Be sure rear and side reflectors are properly mounted. Poor visibility of rider to other motorists can result in death or serious injury. (00336b)

10. **For models WITHOUT front fork-mounted reflectors:** Test-fit the reflectors to the fender sides, forward of the forks, before installation. Choose a suitable location for greatest visibility and best appearance. Do not remove the liner until ready to apply the reflector.

-J05593



Many Harley-Davidson® Parts & Accessories are made of plastics and metals which can be recycled. Please dispose of materials responsibly.

1 / 2

11. Clean the reflector mounting area with a 50-50 mixture of isopropyl alcohol and distilled water. Allow to dry thoroughly.

12. Remove the liner from the adhesive backing of one reflector. Carefully position the reflector to the fender, and press firmly into place. Hold the reflector in position with steady pressure for two minutes. Repeat for the remaining reflector on the opposite side of the fender.

SERVICE PARTS

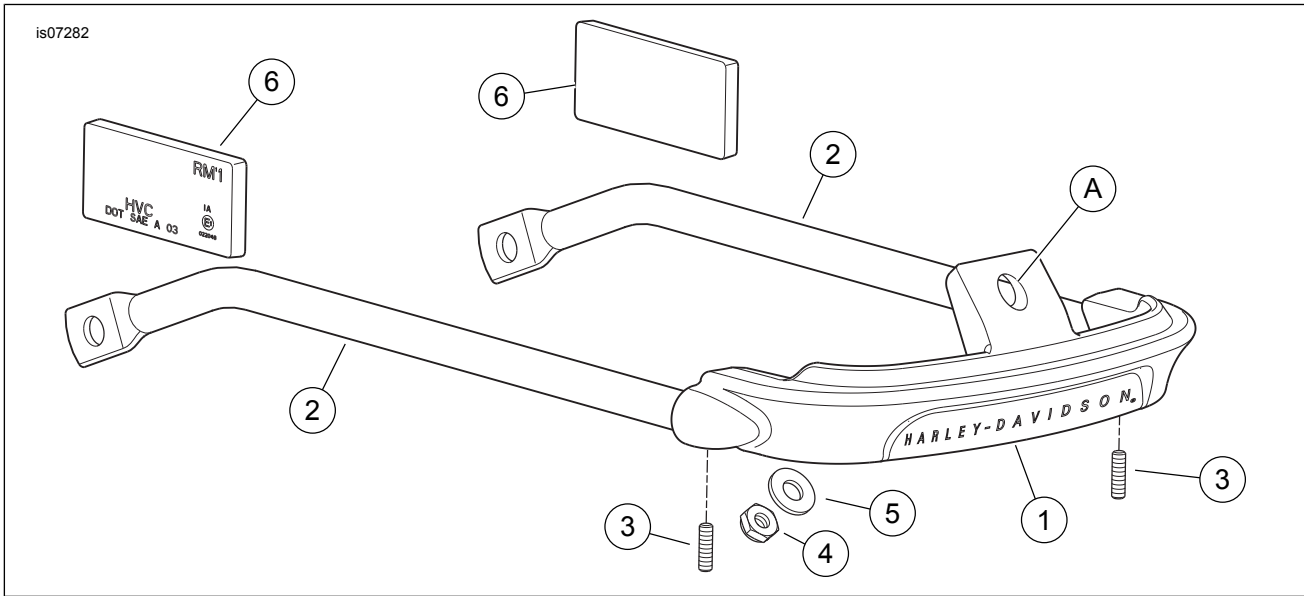


Figure 2. Service Parts, Air Wing Front Fender Rail Kit

Table 1. Service Parts Table

Item	Description (Quantity)	Part Number
1	Tip, fender rail (Air Wing)	Not sold separately
2	Rail, fender (2)	Not sold separately
3	Set screw, hex socket, #8-36 (2)	Not sold separately
4	Hex lock nut, 1/4"-28, with nylon insert	7682
5	Plain washer	6703
6	Reflector, amber (2)	Not sold separately
Item mentioned in text:		
A	Slotted hole in tip	