



INSTRUCTIONS

-J04900

REV. 2009-06-17

FENDER SUPPORT COVER KIT

GENERAL

Kit Number

59473-09

Models

For model fitment information, see the P&A Retail Catalog or the Parts and Accessories section of www.harley-davidson.com (English only).

Additional Parts Required

Separate purchase of LOCTITE® 243 Threadlocker and Sealant - Blue (99642-97) for proper installation of this kit. Loctite is available from a Harley-Davidson dealer.

WARNING

The rider's safety depends upon the correct installation of this kit. Use the appropriate service manual procedures. If the procedure is not within your capabilities or you do not have the correct tools, have a Harley-Davidson dealer perform the installation. Improper installation of this kit could result in death or serious injury. (00333a)

NOTE

This instruction sheet references service manual information. A service manual for your model motorcycle is required for this installation and is available from a Harley-Davidson Dealer.

Kit Contents

See Figure 2 and Table 1.

REMOVAL

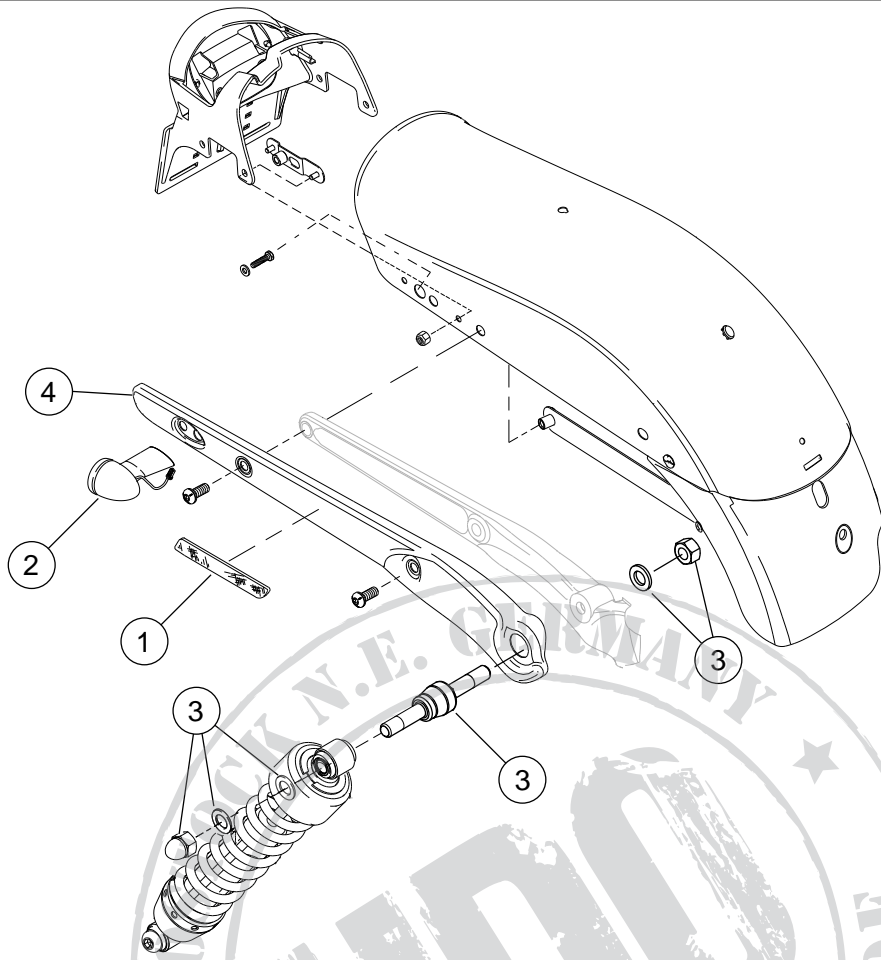
NOTE

Complete all removal and installation procedures on one side before performing on the other side.

1. See Figure 1. Remove rear turn signal assembly (2) following the instructions in the service manual. Save all hardware for installation.
2. Remove the upper shock absorber hardware (3) following the instructions in the service manual. Save all hardware for installation.
3. Remove the rear fender support cover (4) following the instructions in the service manual. Save all hardware for installation.

INSTALLATION

1. See Figure 1. Install the rear fender support cover (4) with the stock hardware. Tighten finger-tight.
2. Install the rear turn signal assembly (2) following the instructions in the service manual.
3. Install the upper shock absorber hardware (3) following the instructions in the service manual.
4. Remove the rear fender support cover hardware and apply Loctite Threadlocker and Sealant 243 (Blue) to the threads of the screws. Tighten screws to the specifications in the service manual.
5. Thoroughly clean the mounting surface of the fender support cover with an equal mixture of water and isopropyl alcohol. Peel the paper backing from the new reflector and install reflector (1). Press the reflector firmly. Allow AT LEAST 24 hours after applying the reflectors before exposing the areas to vigorous washing, strong water spray or extreme weather.



- 1. Reflector (2)
- 2. Rear turn signal assembly (2)
- 3. Upper shock absorber hardware
- 4. Fender support cover

Figure 1. Remove and Install Fender Covers

SERVICE PARTS

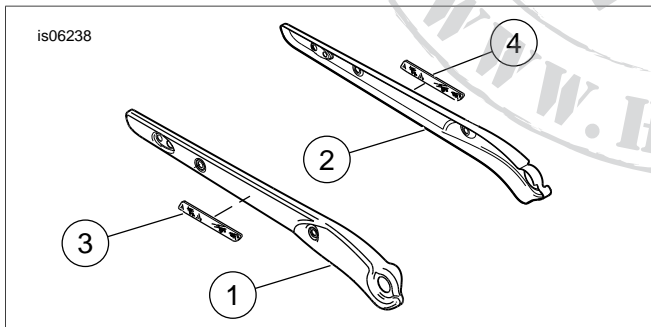


Figure 2. Service Parts: Fender Support Cover

Table 1. Service Parts

Item	Description (Quantity)	Part Number
1	Fender support cover, right	Not Sold Separately
2	Fender support cover, left	Not Sold Separately
3	Reflector, right	59288-92
4	Reflector, left	59287-92