



# INSTRUCTIONS

-J04088

REV. 2006-07-05

## BOBTAIL RACK MOUNTING BRACKET

### GENERAL

Installation of this kit provides the rear mounting points for the Bobtail Luggage Rack Kit 60161-06. Use instructions provided with Bobtail Luggage Rack Kit to complete the luggage rack installation.

#### Kit Number

59320-07

#### Models

This kit fits 2007 Softail FXSTSSE models when installing Bobtail Luggage Rack 60161-06.

#### Additional Parts Required

A License Plate Mounting Kit 94109-95 or similar must be purchased separately to complete installation of this kit.

### WARNING

The rider's safety depends upon the correct installation of this kit. Use the appropriate service manual procedures. If the procedure is not within your capabilities or you do not have the correct tools, have a Harley-Davidson dealer perform the installation. Improper installation of this kit could result in death or serious injury. (00333a)

#### NOTE

This instruction sheet references Service Manual information. A Service Manual for your model motorcycle is required for this installation and is available from a Harley-Davidson Dealer.

#### Kit Contents

See Figure 8 and Table 1.

### INSTALLATION

#### Removal of Old Components

1. See Figure 1. Remove, and completely disassemble all parts as shown. Use care to not damage the reflector (6) during removal process. Discard items (3), and (4). Reinstall screws (5) into LED taillight housing. Save remaining parts for future use.

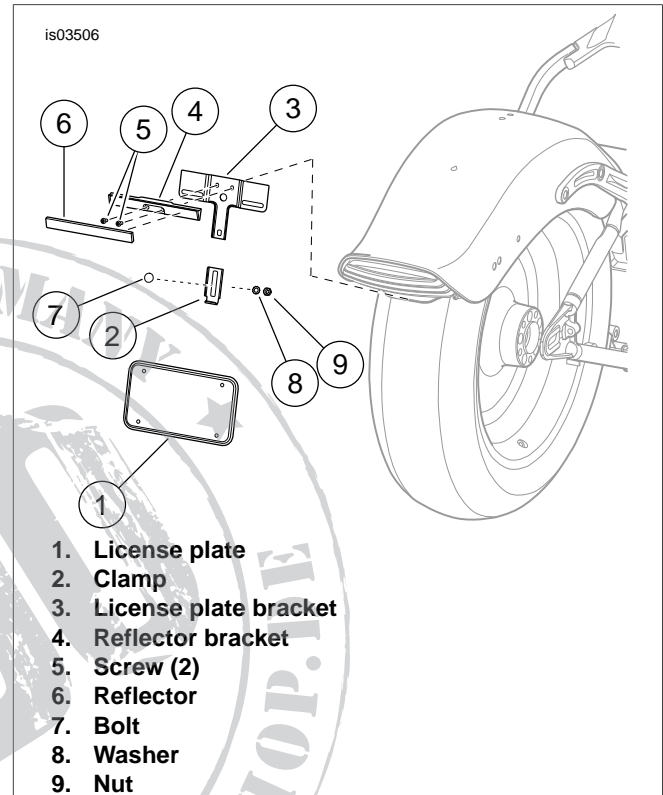
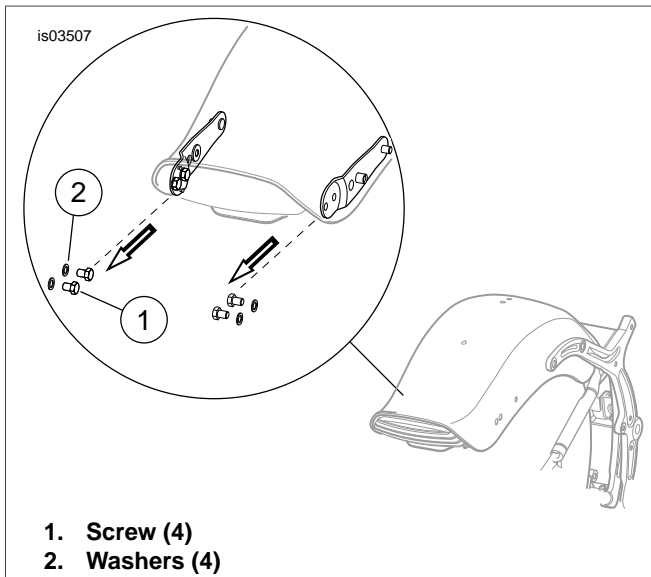


Figure 1. License Plate Bracket and Reflector Removal

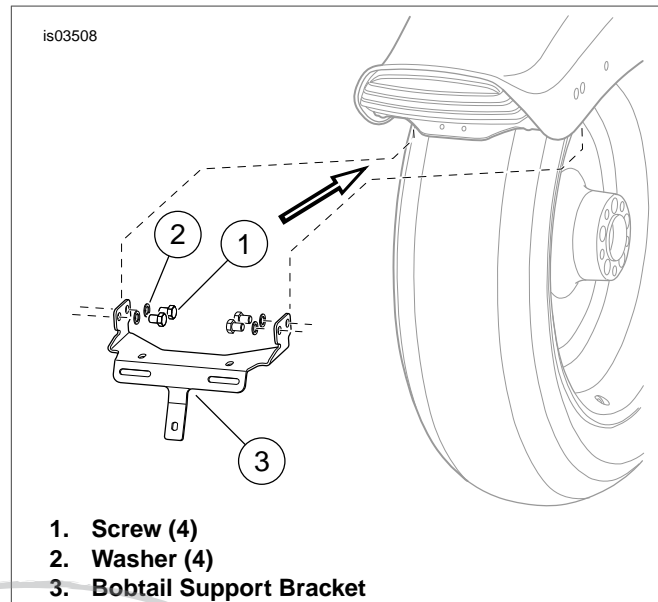
#### NOTE

Before beginning Step 2 take precautions to prevent the LED taillight housing from dropping when the screws are removed.

2. See Figure 2. Remove all four screws (1) and washers (2) as shown. Save parts for reassembly.

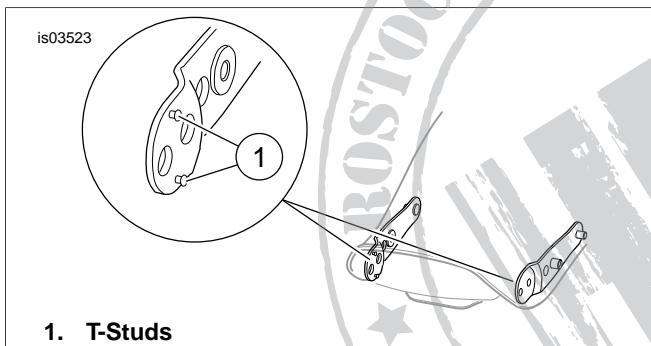


**Figure 2. Screw and Washer Removal**



**Figure 4. Bobtail Support Bracket Installation**

3. See Figure 3. Using pliers and a twisting motion, remove T-Studs (1) from both fender brackets. T-Studs must be removed to provide clearance for Bobtail Support Bracket mounting.



**Figure 3. T-Stud Removal**

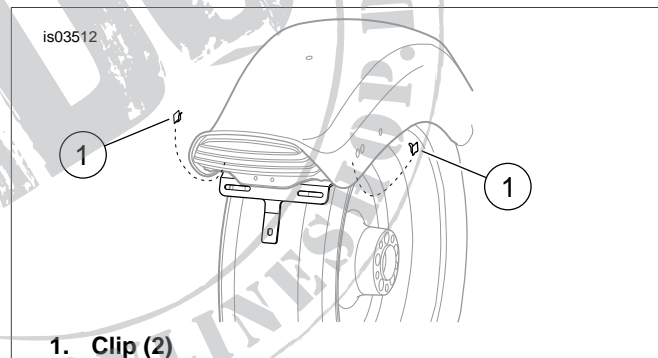
**New Component Installation**

1. See Figure 4. Attach Bobtail Support Bracket (3) from kit, and LED taillight housing using four previously removed screws (1), and washers (2) as shown. Tighten screws to 15-20 ft-lbs (20.3-27.1 Nm).

**NOTE**

*Before proceeding with the next step clean the underside of the fender thoroughly with soapy water, then wipe down the surface with isopropyl alcohol to remove all residue.*

2. See Figure 5 and Table 1. Peel off release film from adhesive on each clip (1). Attach each clip to underside of fender near taillight mounting bracket. Use clip to secure taillight wiring.

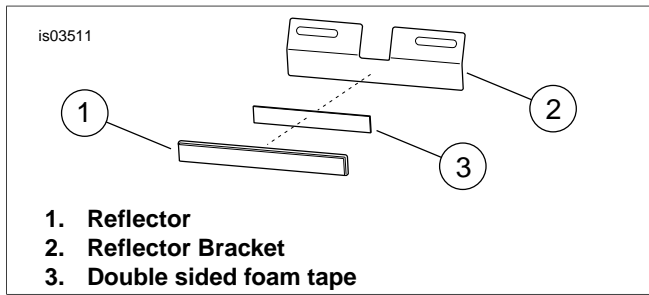


**Figure 5. Clip Installation**

**NOTE**

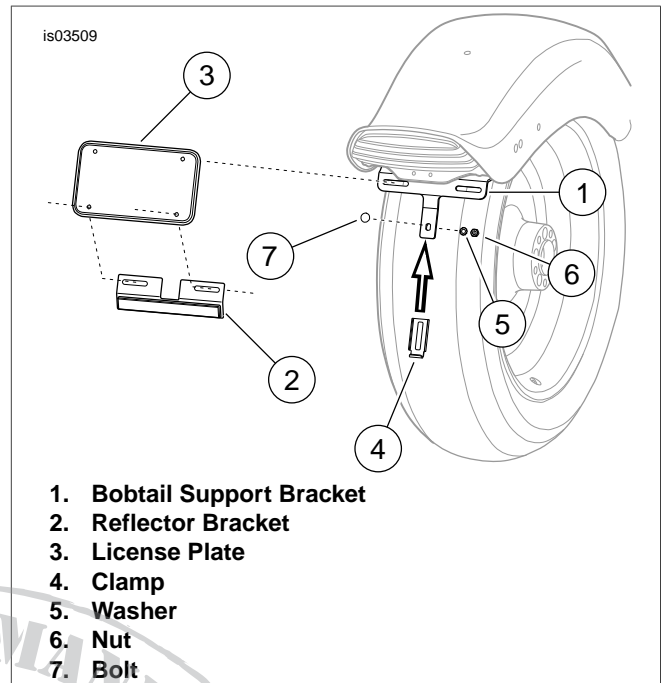
*Prior to reusing the reflector in the next Step, remove all residue from previous installation. Clean surfaces with isopropyl alcohol.*

3. See Figure 6. Attach reflector (1) to the Reflector Bracket (2) using double sided foam tape (3). Center the reflector in the space provided on reflector bracket.



**Figure 6. Attaching Reflector to Reflector Bracket**

4. See Figure 7. Attach reflector bracket (2) (assembled in previous step) to lower portion of license plate (3) using hardware from License Plate Mounting Kit 94109-95 or similar. Tighten screws to 30-50 **in-lbs** (3.4-5.6 Nm).
5. See Figure 7. Loosely attach previously removed clamp (4) to Bobtail Support Bracket (1) using previously removed bolt (7), washer (5), and nut (6).
6. See Figure 7. Attach license plate (3) to Bobtail Support Bracket (1) using hardware from License Plate Mounting Kit 94109-95 or similar. Tighten screws to 30-50 **in-lbs** (3.4-5.6 Nm).
7. See Figure 7. Secure clamp (4) to license plate (3) by tightening nut to 60-90 **in-lbs** (6.8-10.2 Nm).

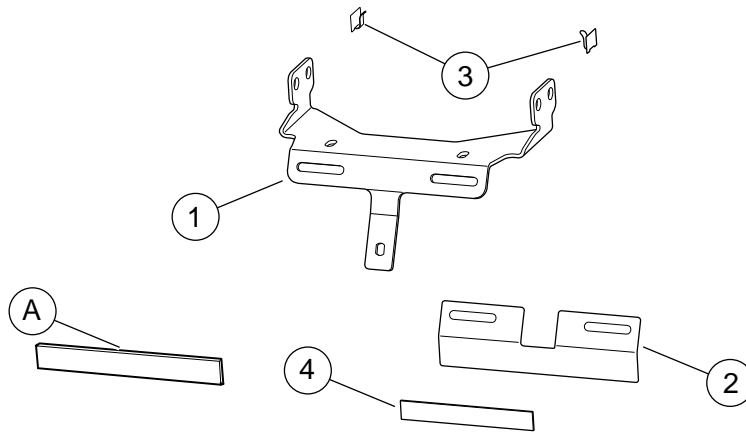


**Figure 7. License Bracket Assembly**

Completing the installation of this kit provides the rear mounting points for the Bobtail Luggage Rack Kit 60161-06. Use instructions provide with Bobtail Luggage Rack Kit to complete the luggage rack installation.

# SERVICE PARTS

is03510



**Figure 8. Service Parts Illustration: Bobtail Rack Support**

**Table 1. Service Parts Table**

Item	Description (Quantity)	Part Number
1	Bobtail Support Bracket	Not Sold Separately
2	Reflector Bracket	Not Sold Separately
3	Clip, adhesive backed (2)	10102
4	Tape, doubled sided, foam	53791-06
<b>Items mentioned in text, but not included in kit:</b>		
A	Reflector	59988-72A