



# INSTRUCTIONS

-J02997

5-15-2003

Kit Numbers 58904-03

## MULTI-POCKET WINDSHIELD BAG

### General

These kits fit models equipped with H-D® KING Windshields without handlebar-mounted gauges.

**Kit number 58904-03** is a windshield bag accented with Harley-Davidson script.

#### NOTE

A Service Manual for your model motorcycle is available from any Harley Davidson Dealer.

### WARNING

Additional weight can affect motorcycle stability, handling characteristics, and safe operating speed. Do not exceed 2.0 lbs. (.9Kg) maximum load. Evenly distribute weight between each pouch. Improper loading can cause vehicle handling problems leading to death or serious injury.

### Installation

1. Remove the acorn nuts from the inside-center, left and right on the horizontal windshield bracket.
2. Apply protective tape strips to the horizontal windshield bracket to protect chrome finish.
2. Place windshield bag and bracket with eyelets over screws in the horizontal windshield bracket. Mark the location of the vertical supports for correct placement of the rubber bumpers to protect the bottom of the bag bracket. Place two bumpers each at the marked locations of the vertical windshield supports.
3. Align the metal brace with the eyelets, to fit snugly onto the windshield horizontal bracket screws.
4. Fasten the acorn nuts removed in step 1 onto the screws through the eyelets under the windshield bag. Torque the nut to 90–110 **in-lbs** (10.2–12.4 Nm).

#### NOTE

The brace under the bottom of the windshield bag conforms to the contour of the windshield bracket as the acorn nuts are torqued.

To keep this surface in the best condition, lightly wipe with a Harley-Davidson Micro Fiber cloth, part number 94663-02, using clear water or a mild Harley-Davidson cleaner such as:

- Sunwash (part number 94659-98),
- Bug Remover (part number 94657-98) or
- Harley Gloss (part number 94627-98).

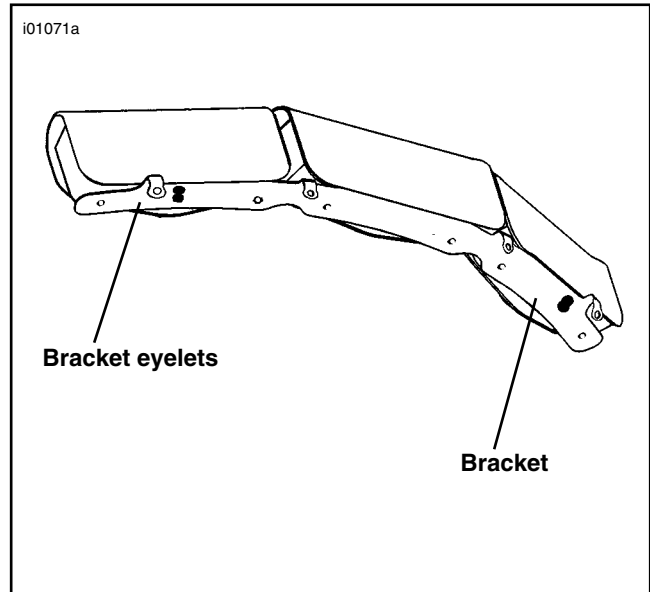


Figure 1. Bottom of Fairing Pouch

#### NOTE

These cleaners are available separately or as part of the Harley Care Starter Kit, part number 94671-99 from any Harley Davidson Dealer.

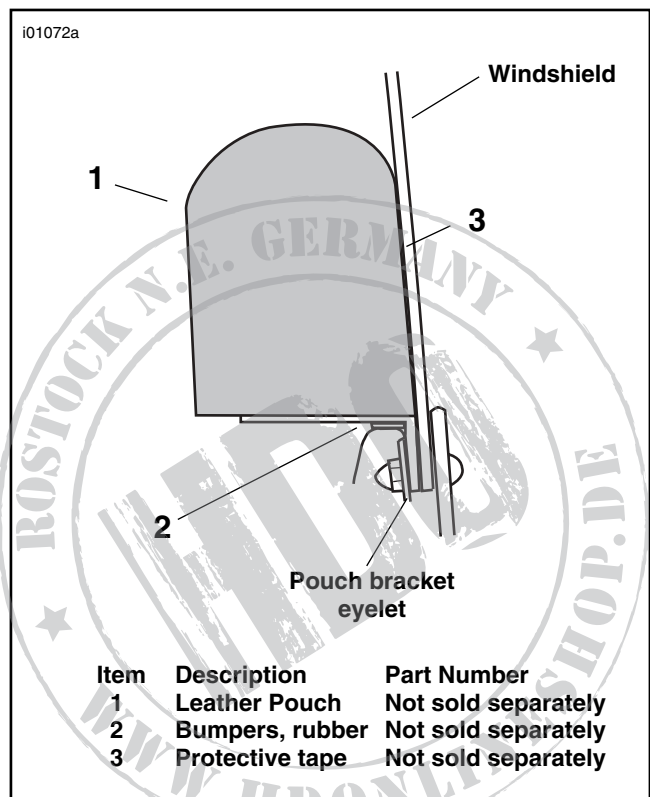


Figure 2. Fairing Clip Attachment, Side View

Item	Description	Part Number
1	Leather Pouch	Not sold separately
2	Bumpers, rubber	Not sold separately
3	Protective tape	Not sold separately



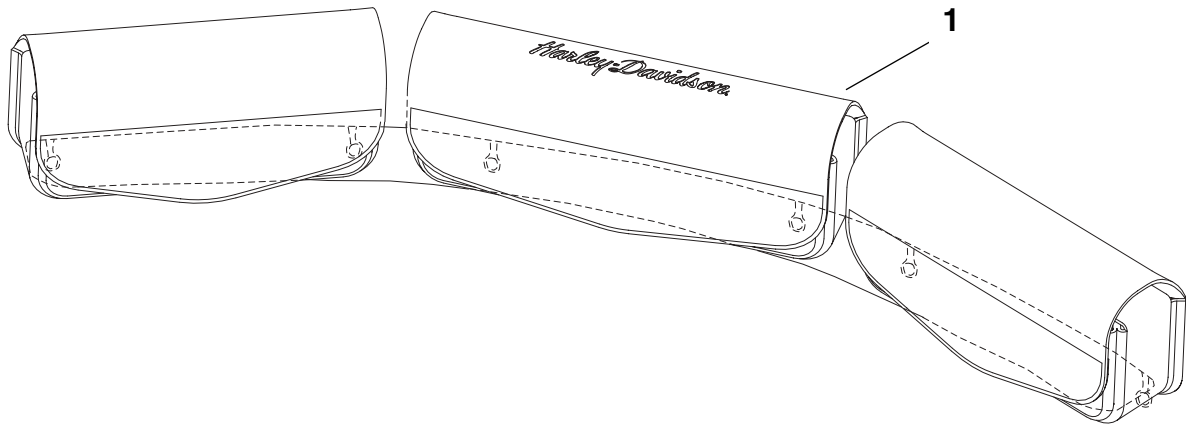
# Service Parts

Part No. 58904-03

Date 5/03

Multi-Pocket Windshield Bag

i05642



Item	Description	Part No.
1	Multi-pocket fairing pouch	Not Sold Separately

