



INSTRUCTIONS

-J01044

REV. 2007-05-18

MULTI-POCKET FAIRING POUCH KIT

GENERAL

Kit Number

58900-98B, 58928-08

Models

For model fitment information, please see the P&A Retail Catalog or the Parts and Accessories section of www.harley-davidson.com (English only).

Kit Contents

This kit contains the pouch assembly, clear tape and adhesive pads.

INSTALLATION

1. Remove the three outer fairing screws located just below the windshield and remove the windshield.
2. See Figure 1 or Figure 2. Apply adhesive pads to the bottom of the bracket in the locations shown. When the bracket is installed, the pads should rest on the top of the inner fairing and support the bracket.
3. Apply clear tape between the screw opening at the base of the windshield on the inside surface of the windshield.
4. See Figure 3. Pull the outer fairing away from the inner fairing to provide sufficient clearance to slide the mounting tabs of the bracket over the top lip of the inner fairing.
5. Center the fairing bracket along the top of the inner fairing.

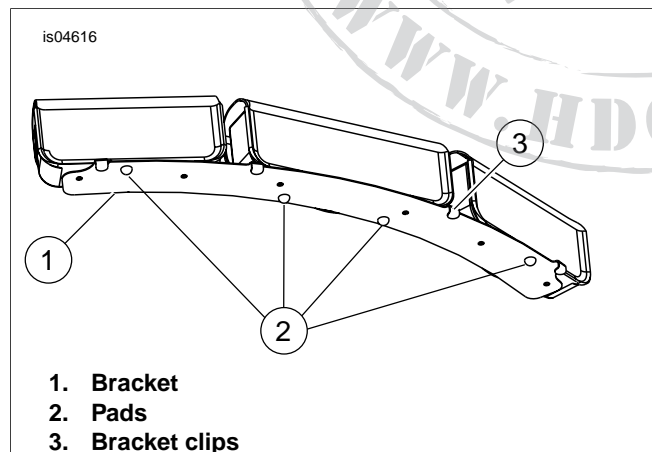


Figure 1. Bottom of 3-Pocket Fairing Pouch

CAUTION

Over tightening windshield fasteners can crack windshield and/or fairing. (00451b)

6. Reinstall the windshield and three screws removed in Step 1. Tighten screws snugly, but be careful not to over-tighten screw or the fairing may crack.

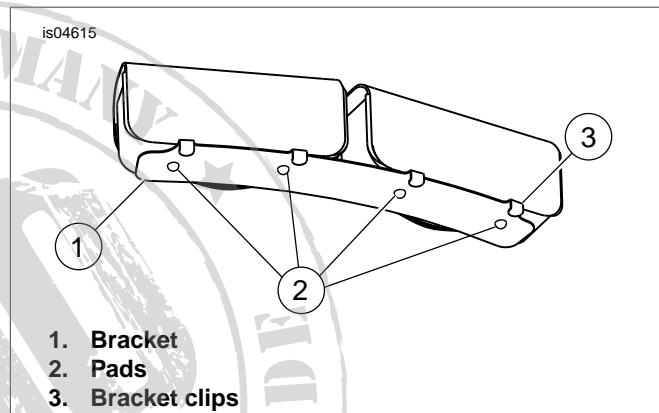


Figure 2. Bottom of 2-Pocket Fairing Pouch

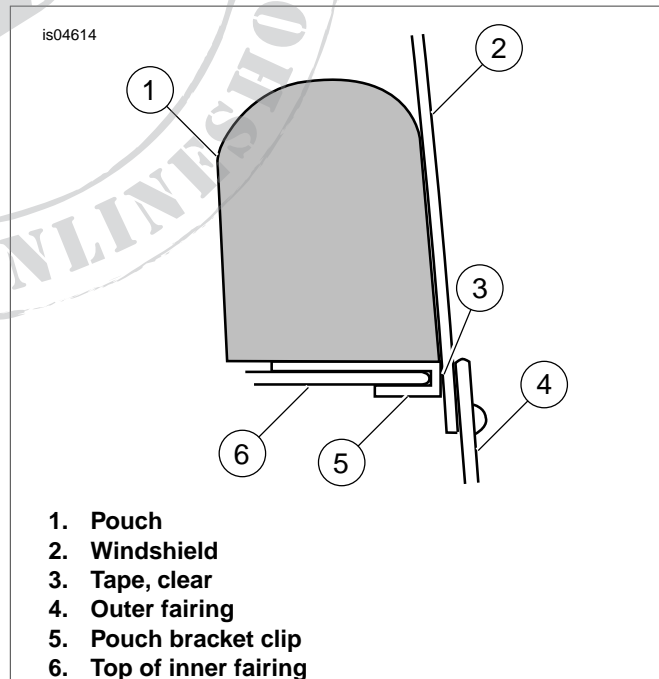


Figure 3. Fairing Clip Attachment, Side View