



# INSTRUCTIONS

-J05143

REV. 2010-09-01

## FAIRING POUCH

### GENERAL

#### Kit Number

58900-11

#### Models

For model fitment information, see the P&A Retail Catalog or the Parts and Accessories section of [www.harley-davidson.com](http://www.harley-davidson.com) (English only).

#### Kit Contents

See Figure 5 and Table 1.

### INSTALLATION

1. See Figure 1. Remove the three front fairing screws at the top of the fairing and discard.
2. Loosen the remaining screws holding the outer fairing to the inner fairing, but do not remove.
3. Gently pull back outer fairing. Remove the windshield and set aside.
4. See Figure 2. Take the three new fairing screws and spacers from the kit. Holding a spacer securely with a needle nose pliers, hold spacer between inner and outer fairings. Insert screw through outer fairing and the spacer. Tighten screw loosely. Repeat this step for the remaining two fairing screws and spacers.

#### NOTE

If installing this kit with Windshield Molding kits discard the mounting screws in this kit. Refer to the Parts and Accessories catalog for the correct screw to use.

5. Insert windshield between inner and outer fairings.
6. See Figure 3. Slide the fairing pouch between the windshield and inner fairings.
7. Make sure that both the windshield and fairing pouch are fully seated. Inspect both ends of the fairing pouch. Only the bare plastic back of the fairing pouch should be clamped between the inner and outer fairings. If any vinyl covering is below the top edge of the fairing adjust pouch until the vinyl is above the clamping area. Tighten the three fairing screws to 20-30 **in-lbs** (2.3-3.4 Nm).

#### NOTE

See Figure 4. If you use a GPS unit, the left side pocket can be unsnapped and removed and your GPS unit can be installed in the normal location. Three snap heads are provided to cover the snaps.

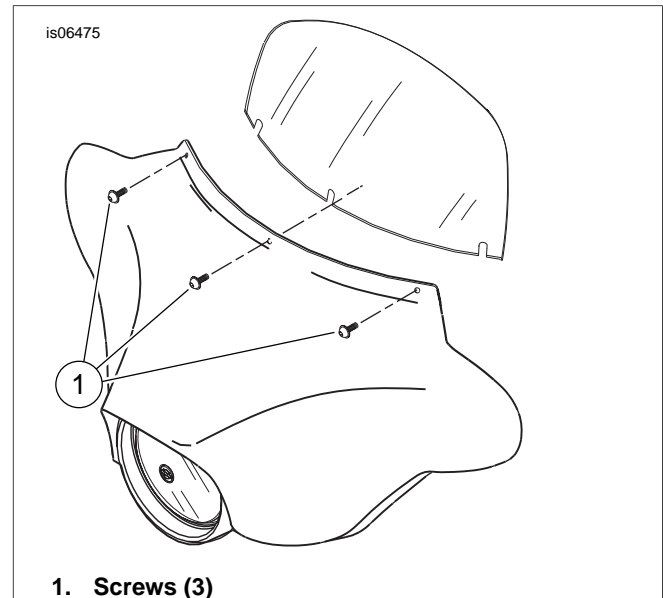


Figure 1. Fairing / Windshield Screws

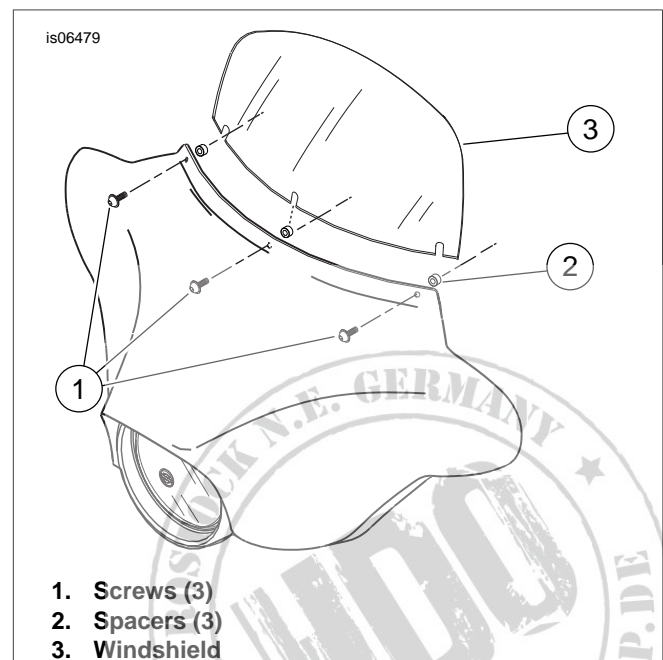


Figure 2. Install Screws, Spacers and Windshield

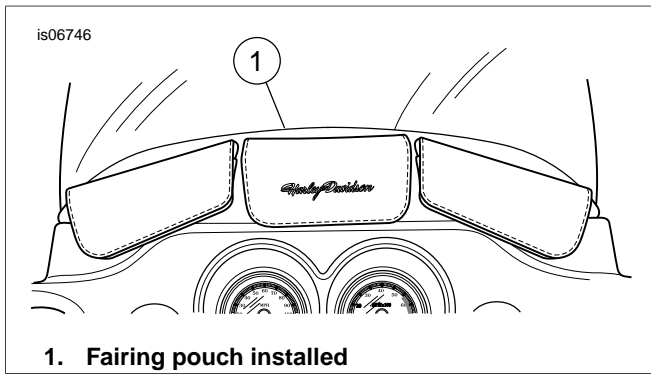


Figure 3. Fairing Pouch

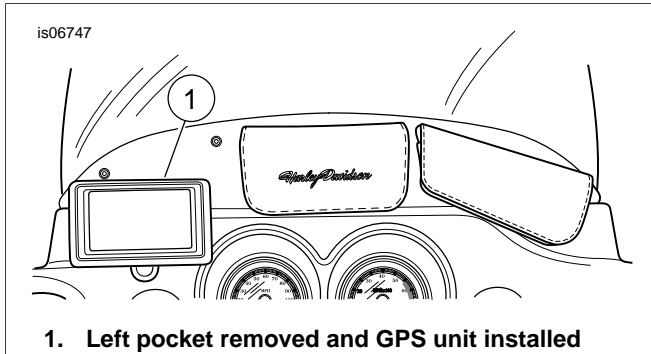


Figure 4. Fairing Pouch

## SERVICE PARTS

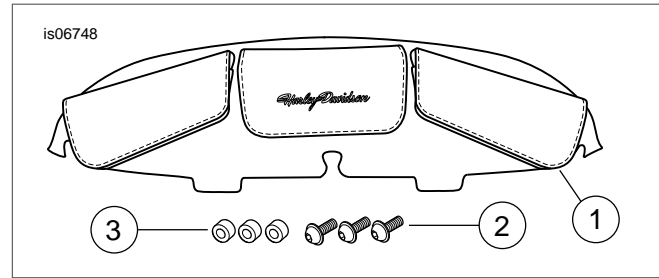


Figure 5. Service Parts: Fairing Pouch

Table 1. Service Parts

Item	Description (Quantity)	Part Number
1	Fairing pouch	Not Sold Separately
2	Screw (3)	2491
3	Spacer (3)	12400003
4	Snap head (3) (not shown)	Not Sold Separately

