



INSTRUCTIONS

-J01162

REV. 10-19-00

Kit Number 58687-89 and 58688-89A

STORAGE BOX

General

This kit is designed for use on most 1980-1996 FLT and 1998 and later FLTR models equipped with lower fairings. See CAUTION below for exception.

CAUTION

The left hand storage box 58687-89 is not suited for installation on 1984-1987 vehicles due to interference with air suspension air valve mounted on the engine guard.

Kit contents:

Kit 58687-89:

DESCRIPTION

Screw, No 10 x 1/2 in.

Spacer

Lockwasher, external tooth

Clamp

Screws (3)

Well nuts (3)

Storage box, left

Kit 58688-89A:

DESCRIPTION

Screws (3)

Well nuts (3)

Storage box, right

Installation

1996 AND EARLIER MODELS

1. See Figure 1. Remove left fairing lower from vehicle.
2. Insert three well nuts (2) into holes at backside of storage box.
 - A. If fairing lower has mounting holes for storage box proceed to Step 3.
 - B. If fairing lower does not have mounting holes proceed as follows:
 - a. Thread three screws (1) into well nuts (2) at back of storage box.
 - b. Apply a dab of grease or chalk on each screw head.
 - c. Place the box in position at the top of the fairing lower being sure that the left and top outer edge of the box is flush with fairing lower.
 - d. Push the box in firmly so the chalk or grease is transferred onto the fairing surface. Remove the storage box. Remove the three screws (1) from well nuts (2).

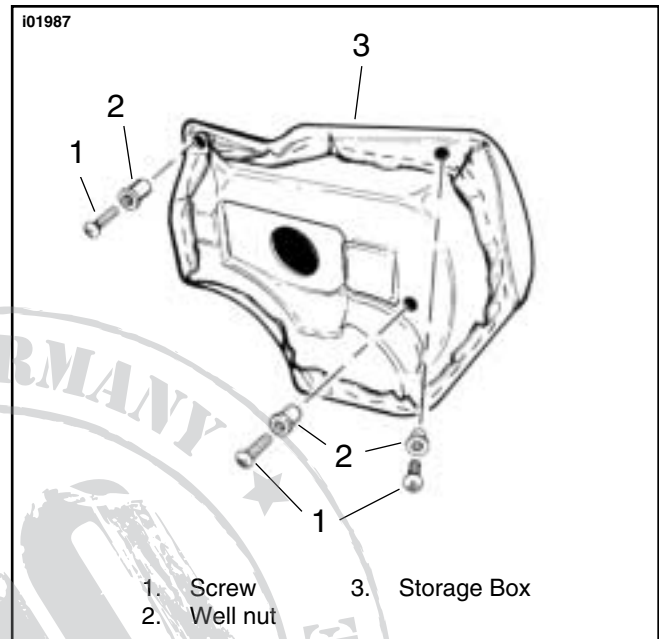


Figure 1. Storage Box Rear View

- e. At each chalk or grease mark center punch and drill a 5/32 in. hole.
3. See Figure 2. Place the storage box in position on the fairing lower with the holes in the fairing aligned with the well nuts at the backside of the storage box. From the outside of the fairing lower, insert the three screws (1) through the holes in the fairing and thread into well nuts. Tighten securely but do not over tighten.

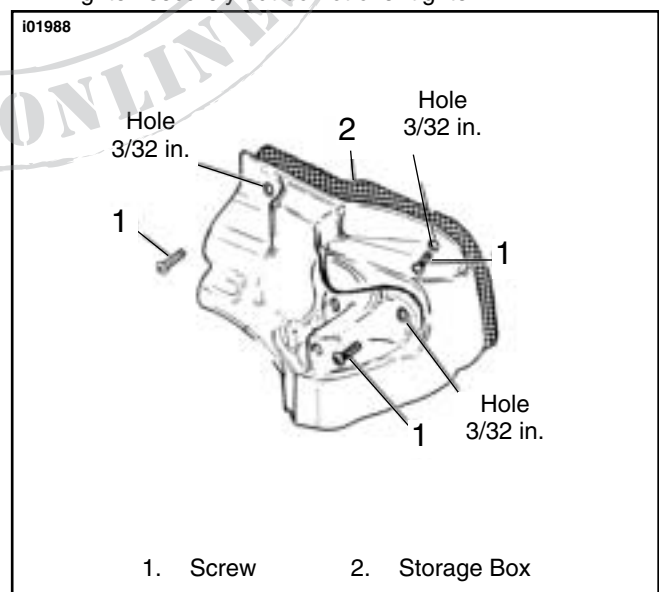


Figure 2. Mounting Storage Box

4. Install left fairing on vehicle.
5. See Figure 3. Open the ends of the clamp (3) and insert the clutch cable into the clamp loop.
6. Place lockwasher (2) over screw (1) and insert screw (1) through clamp (3) and spacer (4). Thread screw (1) into the threaded brass insert (6) molded into the front of the storage box.
7. Repeat steps 1-3 when installing right storage box. Install right fairing lower on vehicle.

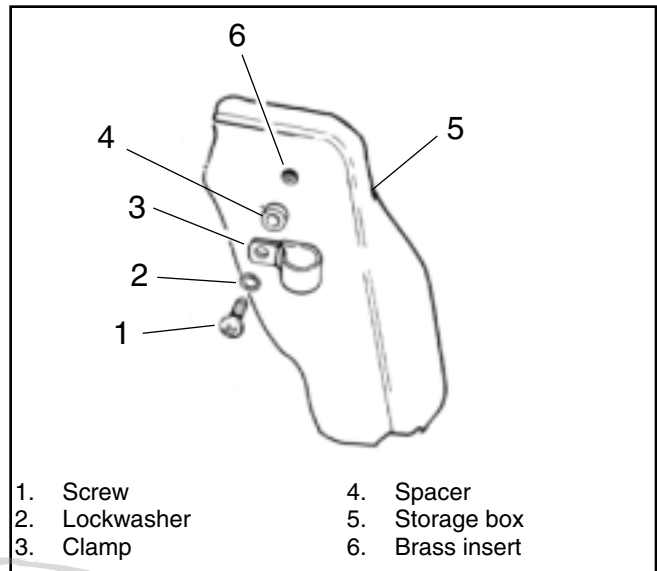


Figure 3. Clamp Mounting

1998 AND LATER MODELS

1. See Figure 1. Remove left fairing lower from vehicle.
2. Insert three well nuts into holes on backside of storage box.
3. See Figure 2. Place the storage box in position on the fairing lower with the holes in the fairing aligned with the well nuts at the backside of the storage box. From the outside of the fairing lower, insert the three screws (1) through the holes in the fairing and thread into well nuts. Tighten securely but do not over tighten.
4. Install left fairing on vehicle.
5. Repeat steps 1-4 when installing right storage box. Install right fairing lower on vehicle.

