



# INSTRUCTIONS

-J01528

REV. 6-22-02

Kit Number 58606-99

## SADDLEBAG LID SPOILER

### General

This kit fits 1993 and later FLT, FLHT and FLHR model motorcycles equipped with fiberglass saddlebags.

#### NOTE

Saddlebag lid spoilers are available with a primed finish or painted to match stock colors.

### Kit contents

QTY	DESCRIPTION	PART NUMBER
2	Spoiler	Not sold
1	Wire harness	70549-99
<u>2</u>	<u>LED assembly (each contains items below)</u>	<u>68192-99</u>
3	Socket contact	73191-96
1	Socket housing	73153-96BK
<u>1</u>	<u>Hardware kit (contains items below)</u>	<u>58620-99A</u>
6	Cable straps	10006
12	Clip, adhesive backed	10102
4	Screw, 8-18 x 1/2 in.	5220
4	Rubber washer, 1/4 in. ID	57964-97
4	Washer, 9/32 ID	6703
2	Gaskets	68191-99
2	Grommet	11410
5	Butt connectors	70586-93
4	Screw, 1/4-20 x 5/8 in.	924
1	Ring terminal	9858
2	Rubber pads	66352-65
4	Washer, 3/16 in. ID	6717

#### NOTE

A Service Manual for your vehicle is available from your Harley-Davidson dealer.

#### NOTE

Electrical Current Draw:

- Running Mode = 40 mA @ 13.8 Vdc
- Brake Mode = 200 mA @ 13.8 Vdc

### Installation

1. Open saddlebags and remove all loose contents.
2. Locate the left and right templates attached to this instruction sheet. Cut templates along the indicated lines.
3. Carefully place template on top of the corresponding saddlebag lid aligning edges of the template with top surface of the saddlebag lid. Tape the template to the saddlebag lid in the desired location.
4. Drill a 1/16 in. pilot hole through the saddlebag lid at the locations shown on the template. Drill the holes to 9/32 inch diameter as indicated on the template.



Figure 1. Installed Saddlebag lid spoiler

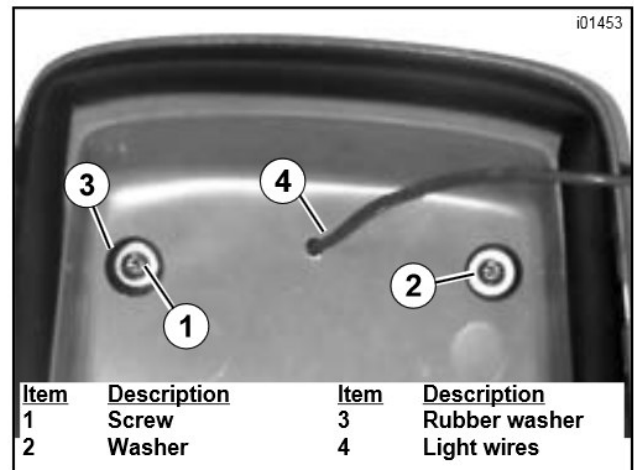


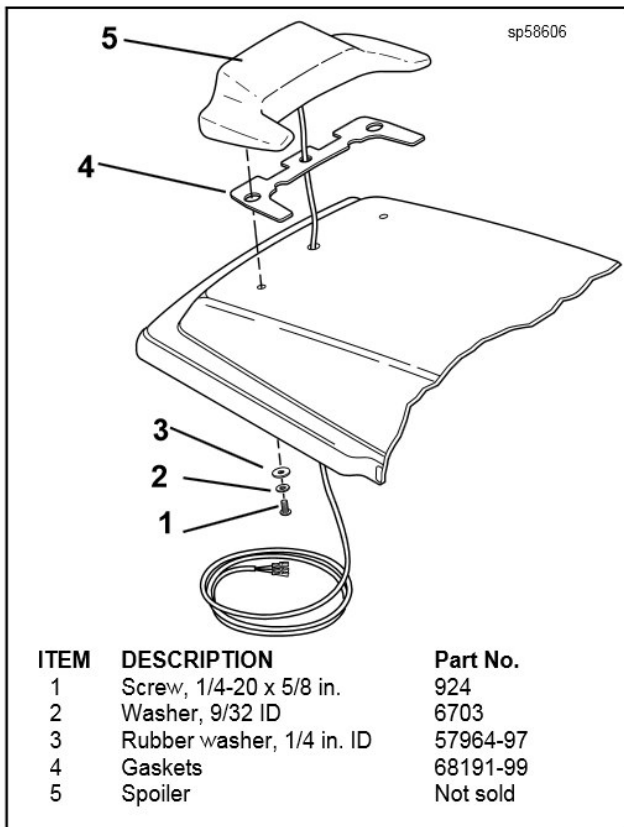
Figure 2. Hole location in saddlebag lid

Item	Description	Item	Description
1	Screw	3	Rubber washer
2	Washer	4	Light wires

### CAUTION

In Step 5, the light assembly must be in place and the washers must be on the self tapping screws before the screws are installed into the spoiler. If the light and washers are not in place prior to installing the screws, installation of the screws will cause damage to the spoiler surface.

5. Attach the light assembly to the spoiler using the 3/16 in. ID washers and the 8 x 18 x 1/2 in. self tapping screws.
6. See Figure 3. Locate gaskets from kit. Remove adhesive backing paper from gasket and attach gasket to spoiler at mounting locations. Be certain that wire is recessed into mounting locations. Be certain that wire is recessed into wire channel in the spoiler and wire passes through the center hole in the gasket.
7. See Figures 1 2 and 3. Route light wires through 9/32 in. hole in saddlebag lid. Attach spoiler (5) to saddlebag lid as shown with rubber washer (3) washer (2) and screw (1).



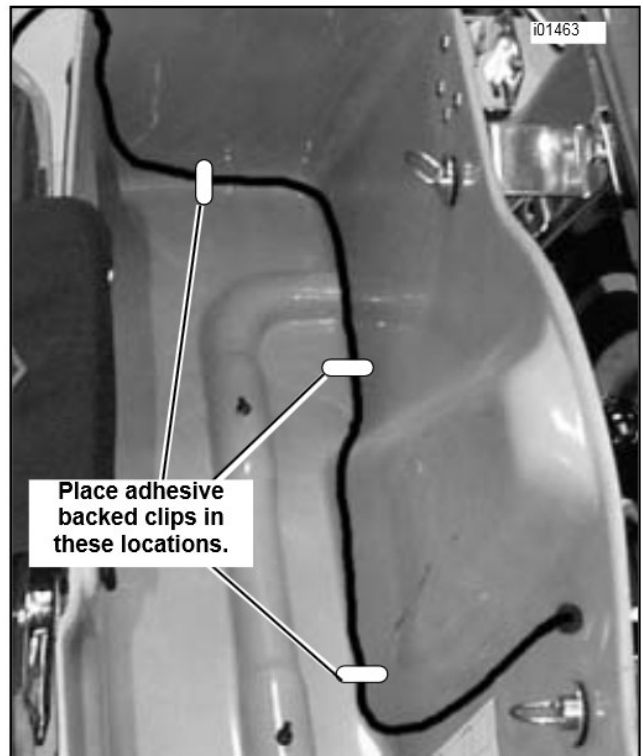
**Figure 3. Spoiler assembly**

8. See Figure 4. Drill a hole through the side of the saddlebag that faces the motorcycle. The hole should be 2 inches below the edge of the saddlebag and in front of the shock absorber. Use a 1/16" drill for a pilot hole and then enlarge the hole with a 3/8" drill. Install rubber grommet in hole.
9. See Figure 4. Attach the wires to the inside of the saddlebag bottom with adhesive backed clips as shown. Route wires out saddlebag bottom and through grommet.
10. On some models equipped with a Tour Pak, it is possible for the saddlebag lid spoiler to contact the bottom of the Tour-Pak when the saddlebag lid is opened. In the event that the saddlebag spoiler does contact the Tour-Pak, locate the adhesive backed rubber bumper from the kit and place on the bottom of the Tour Pak at the contact point.
11. **On 1994 and later models**, proceed to step 12 for wire connection instructions.  
**On 1993 and earlier models**, go to step 16 for wire connection instructions.

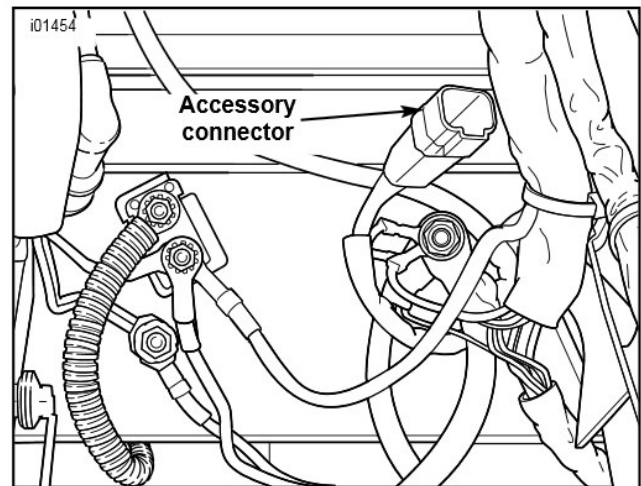
**WIRING INSTRUCTIONS (1994 AND LATER MODELS ONLY)**

12. See Figure 5. Remove the seat and locate the accessory circuit connector.
13. Assemble the spoiler wires into the socket connector half supplied with the LED assembly. The wire terminals shall be inserted in the connector half as follows:

WIRE COLOR CODE	CONNECTOR CAVITY
White	1
Red	2
Black	3



**Figure 4. Wire routing inside saddlebag**



**Figure 5. Location of accessory connector (upper frame cross member, under seat)**

**NOTE**

*If you are currently using the accessory connector for other accessories you may either: Purchase an accessory "Y" connector, Part Number 70264-94A available at your Harley Davidson Dealer or Purchase a Splice Connector Kit, Part Number 70422-98 from your Harley-Davidson Dealer.*

14. Remove the plug from the accessory connector located under the seat (connector number [4A] in wiring diagram in Service Manual). Connect adapter harness to vehicle. Connect left and right spoiler wires to the adapter harness. Organize wires neatly next to frame rails and secure to frame with cable straps. Turn on ignition switch and test the spoiler light operation with taillight and brake light.

15. Reinstall seat.

**WARNING**

After installing seat, pull upward on front of seat to be sure it is locked in position. If seat is loose, it could result in shifting during vehicle operation, loss of control of vehicle, death or serious injury.

**SPLICING INFORMATION (1993 AND EARLIER MODELS ONLY)**

16. On 1993 and earlier models (which are not equipped with an under-seat accessory plug) it is necessary to splice the adapter harness into existing wiring. Butt splice connectors are included in this kit to splice the taillight and stop lamp wires of the adapter harness into the existing taillamp wires.
17. Remove the seat and left side cover and locate the red and blue taillamp wires at connector. If you are not sure, see the applicable Service Manual wiring schematic for your model and year motorcycle.
18. Splice taillight (Blue wire on adapter harness) and stop lamp (Red/Yellow wire on adapter harness) into existing taillight and stop lamp wires as follows:
  - a. Cut the terminals off the three wires from the adapter harness as close to the terminals as possible. These are only used for 1994 and later models.
  - b. Run the Blue and Red/Yellow adapter harness wires to their corresponding taillight and stop lamp wires. Choose a convenient location to splice each of the adapter harness wires into the existing taillight and stop lamp wires. Provide ample slack so the splices can be made easily.
  - c. At each of the two splice locations, cut the existing taillight and stop lamp wires. Strip a 3/8 in. section of insulation from both ends of each wire end to be spliced (there will be six wire ends total for the two splices).
  - d. See Figure 6. For each splice, insert wire ends into splice connector as shown.
  - e. Match the color of the butt splice connector with the color of the crimp cavity of the crimping tool. Using a H-D 38125-8 crimping tool, crimp wires into the connector.

**WARNING**

- Use extreme caution when operating the UltraTorch UT-100 or any other radiant heating device. Read the manufacturer's instructions carefully before using the tool. Improper tool handling can result in death or serious injury.
  - Always keep hands away from tool tip area and heat shrink attachment.
  - Avoid directing the heat toward any fuel system component. Extreme heat can cause fuel ignition/explosion.
  - Avoid directing heat toward any electrical system component other than the connectors on which heat shrink work is being performed.
  - Be sure to turn the "ON/OFF" switch to the "OFF" position after use.
- f. See Figure 6. Using the UltraTorch UT-100 (H-D 39969), Robinair Heat Gun (H-D 25070) with Heatshrink Attachment (H-D 41183), or other suitable radiant heating device, heat the crimped splice to encapsulate the butt splice connection. Apply heat from the center of the crimp out to each end until the melttable sealant exudes out of both ends of the connector.
  - g. Locate a suitable fastener on the vehicle that can be used as a ground wire location.
  - h. Strip a 3/8 in. section of insulation from the black wire and crimp on the 1/4 in. ring terminal in kit. Fasten wire terminal to ground location. (It may be necessary to slice the adapter harness wiring conduit to obtain needed wire length.)
19. Connect left and right spoiler wires to the adapter harness. Organize wires neatly next to frame rails and secure to frame with cable straps.
  20. Turn on ignition switch and test spoiler light for operation with taillamp and brake light.
  21. Reinstall left side cover and seat.

**WARNING**

After installing seat, pull upward on front of seat to be sure it is locked in position. If seat is loose, it could result in shifting during vehicle operation, loss of control of vehicle, death or serious injury.

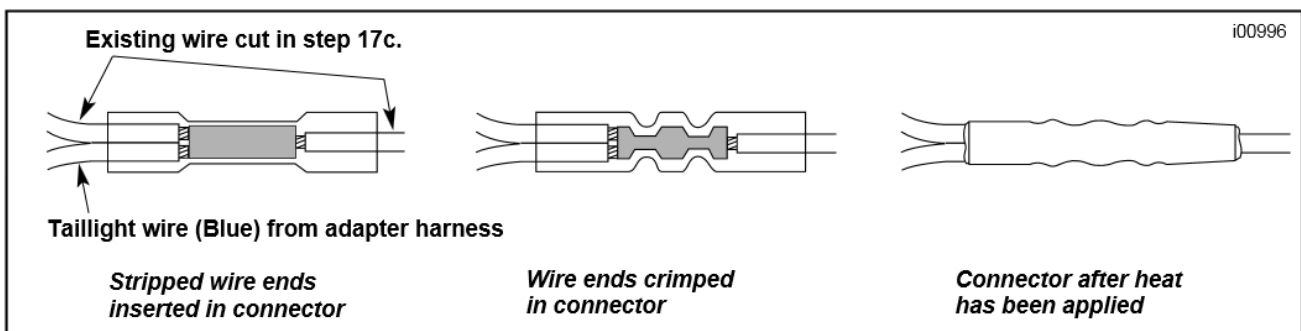
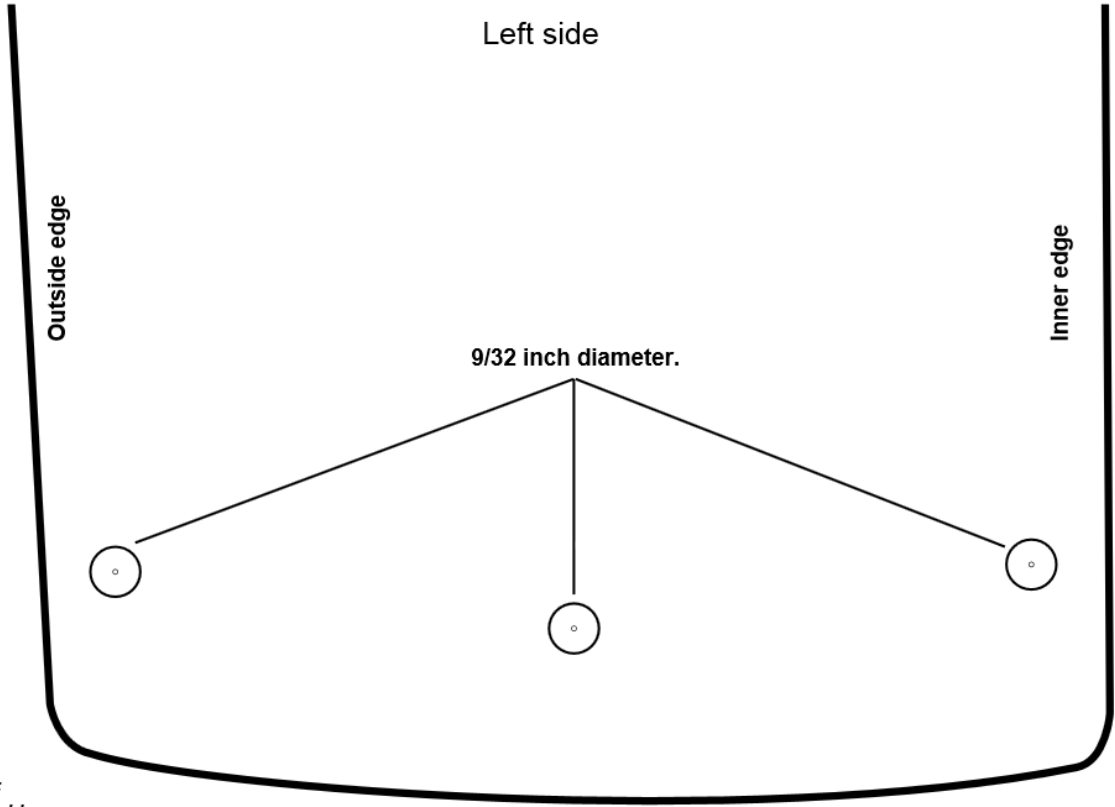


Figure 6. Install Sealed Butt Connectors (taillight splice shown, same procedure for stop lamp splice)

Page 4 is the template.



**NOTE**  
These marks should measure exactly 1 inch in each direction. Please measure to verify that this template is the correct size.

