



INSTRUCTIONS

-J03527

REV. 11-01-2004

Kit Number 58402-04

DETACHABLE HANDBAG FOR WINDSHIELDS

General

This Detachable Handbag Kit fits:

- Harley-Davidson® **King-Size** Windshields (**except** Nostalgic King-Size Windshields, Part Numbers 57140-05, 57141-05 and 57181-05) on models without handlebar-mounted gauges
- Harley-Davidson **Compact** Windshields (**except** Compact Windshields for FXSTD Deuce®) on models without handlebar-mounted gauges
- **1994 and later** FLHR (Road King®) and FLHRC (Road King® Classic) with original equipment (OE) windshield.
- **2000 and later** FLSTC (Heritage Softail® Classic) with OE windshield.

This kit is not compatible with accessories having conflicting mounting requirements, including but not limited to other windshield bags, handlebar-mounted supplemental gauges, and the Road Tech riser-mount radio.

See the Service Parts list for kit contents.

Installation

NOTE

When performing this installation, be careful not to scratch the Lexan® windshield, or nearby painted or chrome surfaces.

1. See Figure 1. Using a T-27 TORX® screwdriver, remove the two screws (2) and acorn nuts (3) that secure the vertical windshield brackets (1) to the windshield. Save the acorn nuts.
2. Obtain the handbag mounting brackets (4) and **new**, longer screws (2) from the kit.

NOTE

For windshields with **outward**-facing vertical brackets (see main illustration), the handbag brackets must be installed with the long slots upward and facing toward the center of the vehicle.

For windshields with **inward**-facing vertical brackets (see insets), the handbag brackets may be installed with the long slots downward (inset "A") or upward (inset "B"), and with the slots facing toward the center of the vehicle.

3. For windshields with **inward**-facing vertical brackets, determine the best bracket orientation (slots up or down) for your vehicle and windshield, based on:
 - the amount of clearance between the mounted handbag and vehicle components, and
 - personal preference.

WARNING

Be sure that steering is smooth and free without interference. Interference with steering could result in loss of vehicle control and death or serious injury. (00371a)

- Handbag should not contact fuel tank or any other components when handlebars are turned fully to left or right fork stops

NOTE

Do not install the handbag if there is contact with other vehicle components. Damage could occur to vehicle, components or bag.

4. See the Service Parts illustration. Insert the new screws through the windshield braces, windshield, vertical windshield brackets (B) and the handbag mounting brackets. Thread the acorn nuts onto the screw threads.

CAUTION

Do not exceed recommended torque when installing mounting screws. Damage to windshield can result. (00385a)

5. Ensure that the handbag mounting brackets are oriented vertically, then tighten both screws and acorn nuts to 48-60 in-lbs (5.4-6.7 Nm).

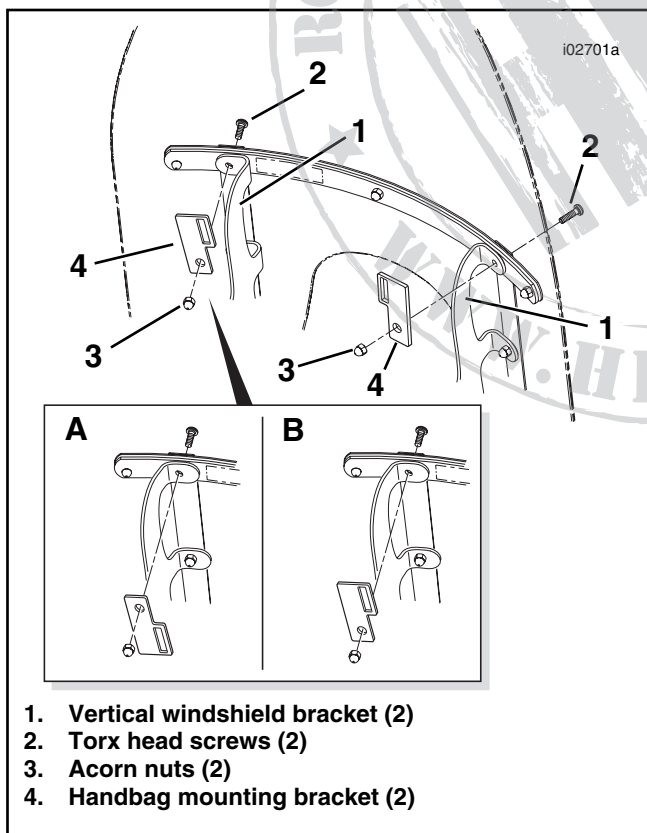


Figure 1. Handbag Bracket Mounting
(Typical Windshield Brackets Shown)

Mounting Strap Attachment

1. See the Service Parts illustration. Unfasten the Velcro® fasteners (C) at each end of the handbag mounting strap assembly (4).

NOTE

The mounting strap can be installed to place the adjustment loop (H) on either the left or right side, as desired.

2. With the Velcro side toward the windshield, slide one end of the strap through the slot in each handbag mounting bracket (2). Press the hook and loop halves of the Velcro fastener together to secure the strap ends.

Handbag Attachment

1. Unfasten the buckle (D) on the handbag mounting strap (4).
2. Turn the latch (E) on the front of the handbag (1), lift the front flap and store the shoulder strap in the rear pocket. Pull open the Velcro mounting flap (G), and position the handbag between the mounting brackets.

3. Fasten the buckle across the face of the handbag under the mounting flap. Tighten the mounting strap using the adjustment loop until the handbag is secure against the windshield.
4. Close the mounting flap over the mounting strap, and re-fasten the Velcro. Close the front flap on the handbag and turn the latch to close.

Handbag Removal

1. Turn the latch (E) on the front of the handbag (1), lift the front flap and pull open the Velcro mounting flap (G). Unfasten the buckle (D) on the handbag mounting strap (4).
2. Remove the handbag from the windshield, close the Velcro mounting flap, and remove the shoulder strap from the rear pocket. Close and latch the handbag.
3. Fasten the buckle on the mounting strap and tighten the adjustment loop when not in use.



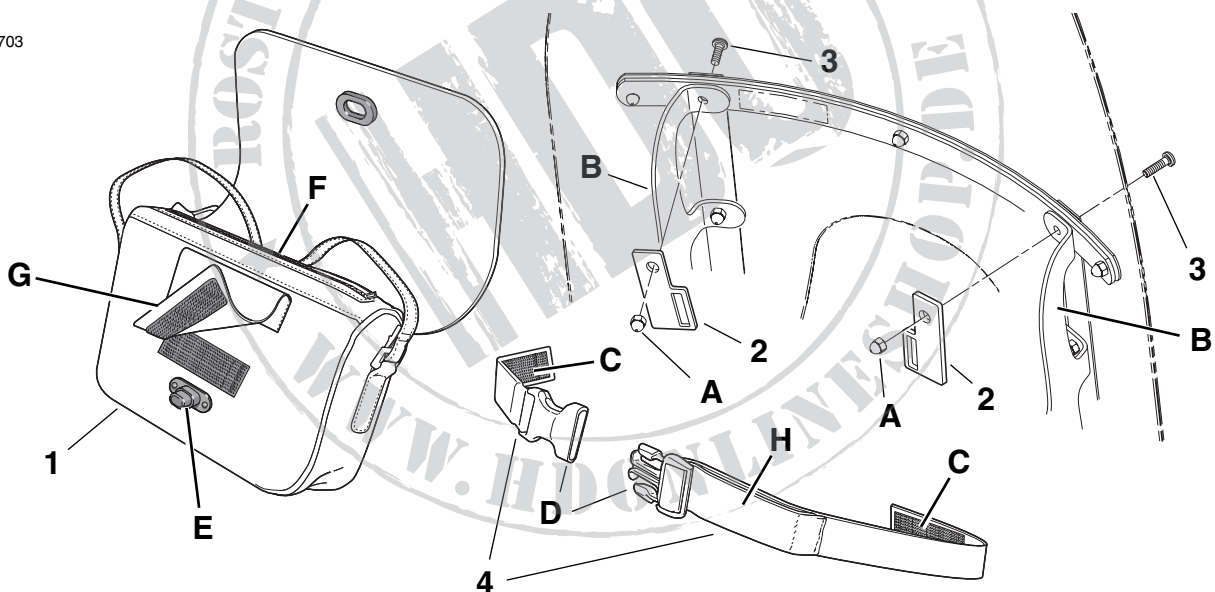
Service Parts

Part No. 58402-04

Date 11/04

Detachable Handbag for Windshields

i02703



Item Description (Quantity)

- | | |
|---|-------------------------------|
| 1 | Handbag |
| 2 | Bracket, handbag mounting (2) |
| 3 | Screw (2) |
| 4 | Strap, handbag mounting |

Part No.

- | |
|---------------------|
| Not sold separately |
| 58132-04 |
| 2444 |
| 58126-04 |

Items not included in kit

- | | |
|---|-----------------------------------|
| A | Original equipment acorn nuts (2) |
|---|-----------------------------------|

Items mentioned in text

- | | |
|---|--|
| B | Vertical windshield brackets |
| C | Handbag mounting strap Velcro® fasteners |
| D | Handbag mounting strap buckle |
| E | Handbag latch |
| F | Handbag rear storage pocket |
| G | Velcro mounting flap |
| H | Adjustment loop |