



INSTRUCTIONS

-J00318

REV. 2006-01-13

FLST (WITH FOG/PASSING LAMPS) DETACHABLE WINDSHIELD KIT

GENERAL

Kit Number

58240-95, 58275-95, 58628-99, 58693-04, 57749-04, 57816-04

Models

These kits fit 1986 through 1999 FLST/C and FLSTN models, and 1990 and later FLSTF model motorcycles equipped with fog/ passing lamps.

Table 1. Models

Kits	Contents
57749-04	2 inch taller, clear windshield
57816-04	Standard height, clear windshield with flames
58240-95	Standard height, clear windshield
58275-95	Low profile, smoked windshield
58628-99	Standard height, smoked windshield
58693-04	Standard height, clear windshield with Skull and Wings emblem

CAUTION

Do not use windshield bags with flamed windshields. Damage to graphics will occur. (00393f)

Additional Parts Required

NOTE

A Service Manual for your model motorcycle is available from a Harley-Davidson Dealer.

Kit Contents

See Figure 1 and Table 2, Figure 2 and Table 3.

INSTALLATION

WARNING

The rider's safety depends upon the correct installation of this kit. If the procedure is not within your capabilities or you do not have the correct tools, have a Harley-Davidson dealer perform the installation. Improper installation of this kit could result in death or serious injury. (00308a)

NOTES

Place shop rags on the headlamp and front of the fuel tank to prevent scratches to headlamp and fuel tank. Be sure the

windshield assembly does not contact chrome or painted parts. Contact will cause scratches to chrome or painted parts.

Spacers on the topmost screws will fall free when the screws are removed. Take care that the spacers do not strike the fuel tank or fender, damaging the finish.

1. Remove the stock windshield, if so equipped. Discard the windshield and attaching hardware.

NOTE

Keep front wheel straight to prevent brackets from scratching fuel tank.

2. See Figure 2. Keep the bottom fog/ passing lamp bracket screws (10) in place. Rotate the tops of the left and right-side brackets toward the rear of the motorcycle.

3. Thread a 3/4 inch long screw (9) from the kit into the weldnut on the fog/ passing lamp bracket, and tighten to 8 ft-lbs (10.8 Nm).

Place the wide end of a mounting bracket (2) onto the screw threads.

Install a locknut (1) onto the screw threads. Tighten the locknut to 8 ft-lbs (10.8 Nm).

4. Repeat Step 3 on the opposite side of the vehicle.
5. Rotate the fog/ passing lamp brackets back into their original position.
6. Place a lockwasher (3) on a 1/2 inch long screw (4) from the kit. Insert the screw through the mounting bracket (21) and decorative fork cover, and into the triple clamp.

Use an Allen wrench inserted through the top hole in the fog/ passing lamp bracket to tighten the screw to 8 ft-lbs (10.8 Nm).

7. Repeat Step 6 on the opposite side of the vehicle.
8. Remove and discard the original bottom fog/ passing lamp bracket screw (10) and washer (7).
9. Place a new chrome flat washer (7) and bushing (6) on a 1-1/4 inch long screw (10) from the kit. Thread the screw through the lower hole in the fog/ passing lamp bracket and decorative fork cover, and into the triple clamp. Tighten the screw to 8 ft-lbs (10.8 Nm).

10. Repeat Step 9 on the opposite side of the motorcycle.
11. Place a flat washer (7), bushing (6), and thick washer (5) on a one-inch long screw (5) from the kit. Place the screw through the top hole of the fog/ passing lamp bracket. Place a locknut (1) from the kit on the screw. Snug the screw enough to allow placement and alignment of the windshield, but do not fully tighten at this time.

12. Repeat Step 11 on the opposite side of the vehicle.

13. Carefully hook the bottom windshield assembly jaws onto the grooves of the rubber bushings (6) on the lower fog/passing lamp brackets.
14. Hook the two top windshield assembly jaws into the grooves of the upper rubber bushings (6). Tighten the top screws (8) to 8 ft-lbs (10.8 Nm).

WARNING

Improper installation of accessories or loading of cargo can affect motorcycle stability and handling, which could result in death or serious injury. (00455b)

WARNING

Failure to provide adequate clearance between stationary and moving parts can cause loss of control, which could result in death or serious injury. (00378a)

NOTE

Inspect windshield upon completion of installation. Be sure windshield mounting does not restrict full left or full right movement of front fork assembly. If restriction does occur, adjust windshield as needed until proper clearance is obtained. Have experienced Harley-Davidson service personnel correct any problems before riding with this accessory installed.

NOTE

Check mounting hardware periodically. Never ride with loose mounts. A loose mounting causes extra stress on all other mounts, as well as the windshield itself, and could result in premature failure of components.

REMOVING THE WINDSHIELD

To remove the windshield, grab the windshield edges on each side of the center brace and firmly pull the windshield loose from the bushing grooves.

CARE AND CLEANING

NOTE

Sunlight reflections off of the inside curvature of a windshield can, at certain times of the day, cause extreme heat build-up

on motorcycle instruments. Exercise care in parking. Park facing the sun, place an opaque object over the instruments, or adjust the windshield to avoid reflections.

CAUTION

Harley-Davidson windshields are made of Lexan. Lexan is a more durable and distortion-resistant material than other types of motorcycle windshield material, but still requires attention and care to maintain. Failure to maintain Lexan properly can result in damage to the windshield. (00230a)

CAUTION

Do not use harsh chemicals including rain sheeting products on Harley-Davidson windshields. They can cause dulling or hazing. If you want to use a windshield protectant on your windshield, try Harley Glaze Polish and Sealant (00231a)

CAUTION

Do not use benzine, paint thinner, gasoline or any other type of harsh cleaner on the windshield. Doing so will damage the windshield surface. (00232a)

Do not clean Lexan® polycarbonate in hot sun or high temperature. Powdered, abrasive or alkaline cleanser will damage the windshield. Never scrape the windshield with a razor blade or other sharp instruments because permanent damage will result.

NOTES

Covering the windshield with a clean, wet cloth for about 15 minutes before washing will make dried bug removal easier.

Harley-Davidson Windshield Water Repellent Treatment Part Number 99841-01 is approved for use on Harley-Davidson Lexan® windshields.

SERVICE PARTS

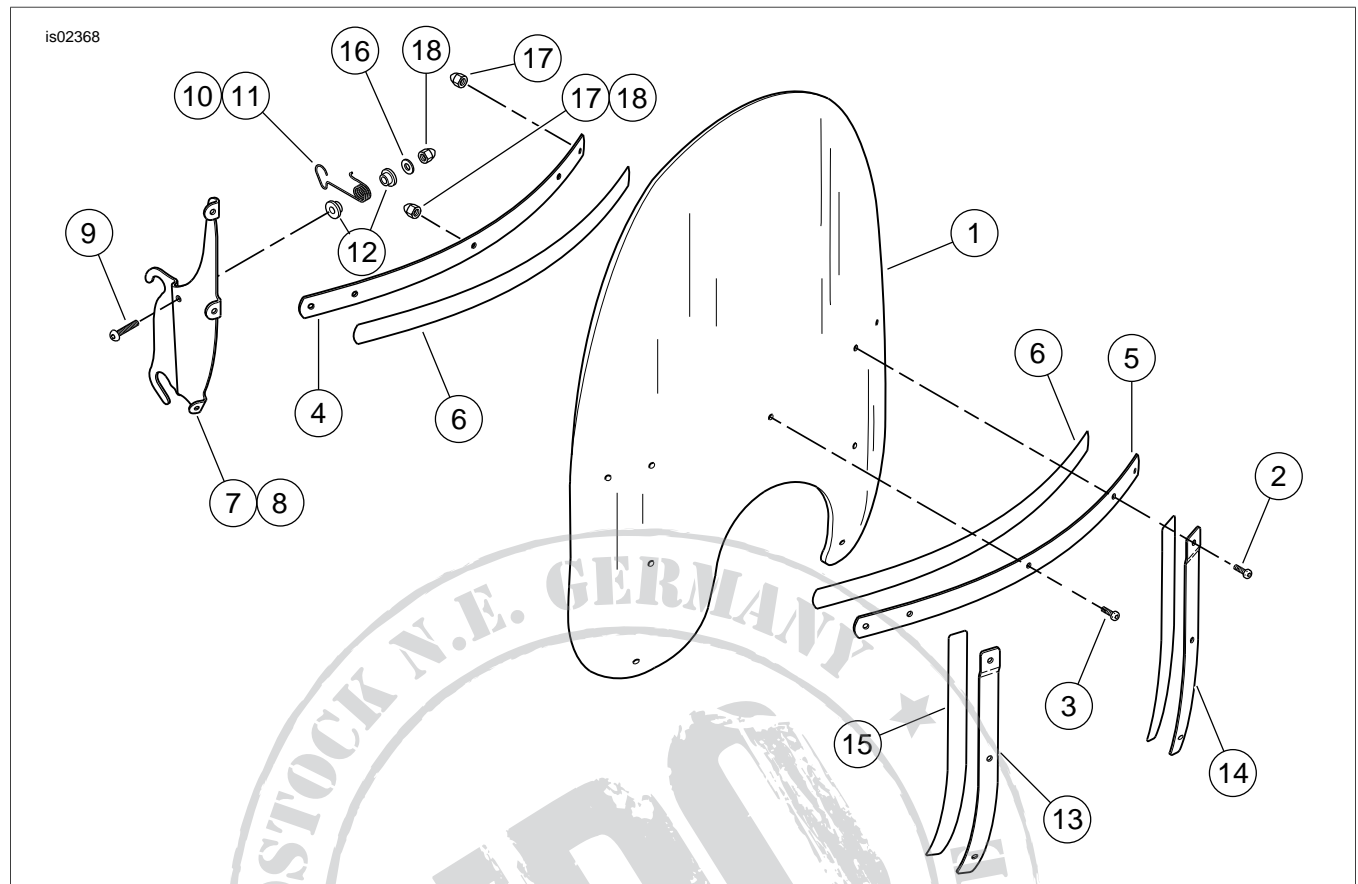


Figure 1. Service Parts: Windshield Kits

Table 2. Service Parts: Windshield Kits

Item	Description (Quantity)	Part Number	Item	Description (Quantity)	Part Number
1	Windshield, standard height, clear	58241-95	9	Screw, button head (2) 1/4-20 x 1-1/4 inch	94426-95
	Windshield, low, smoked	58277-95	10	Windshield retainer (left)	58252-95
	Windshield, standard height, smoked	57975-99	11	Windshield retainer (right)	58253-95
	Windshield, 2 inch taller than standard, clear	57754-04	12	Nylon bushing (4)	58272-95
	Windshield, standard, clear with flames	57826-04	13	Bracket, outer (right)	58406-75A
2	Screw, pan head, Torx (2) #12-24 x 13/16 inch	2452	14	Bracket, outer (left)	58408-75A
3	Screw, pan head, Torx (7) #12-24 x 5/8 inch	2921	15	Tape, windshield bracket (2)	58417-77
4	Brace, inner windshield, for Kit 58693-04	58564-04	16	Flat washer, 1/4 inch, silver (2)	6703
	Brace, inner windshield, for all other Kits	58431-94	17	Acorn nut, #12-24 (chrome)	7651
5	Brace, outer windshield, for Kit 58693-04	58581-04		For Windshield Kit 58693-04 (8)	
	Brace, outer windshield, for all other Kits	58428-94		For all other Windshield Kits (9)	
6	Tape, windshield brace (2), for Kit 58693-04	58541-04	18	Acorn nut, 1/4-20 (chrome)	94004-90T
	Tape, for all other Kits	58416-77A		For Windshield Kit 58693-04 (3)	
7	Windshield bracket (left)	58291-95		For all other Windshield Kits (2)	
8	Windshield bracket (right)	58292-95	NOTE: Appearance of actual components may vary from illustration.		

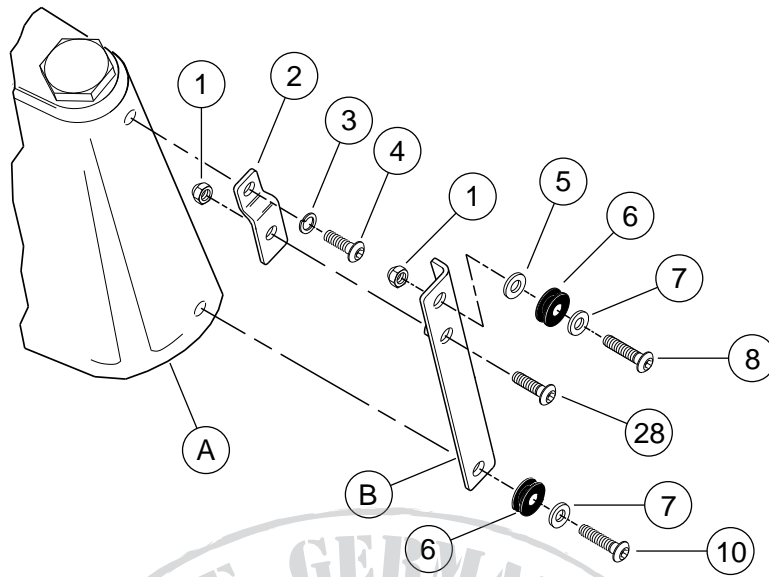


Figure 2. Service Parts: Windshield Hardware Kit

Table 3. Service Parts: Hardware Kit Number 58596-97

Item	Description (Quantity)	Part Number	Item	Description (Quantity)	Part Number
1	Hex lock nut, 5/16-24 (4)	7729	8	Screw, button head, chrome 5/16-24 x 1 inch (2)	94398-92T
2	Bracket, windshield (2)	58269-95	9	Screw, button head, chrome 5/16-24 x 3/4 inch (2)	94446-95
3	Lock washer, split (5/16) (2)	94081-90T	10	Screw, button head, chrome 5/16-24 x 1-1/4 inch (2)	94421-95T
4	Screw, button head, chrome 5/16-24 x 1/2 inch (2)	94396-92T	Reference Items:		
5	Washer, 0.105 inch (2.7 mm) thick (2)	6400HB	A	Decorative triple clamp cover	
6	Bushing (4)	67621-94	B	Fog/Passing lamp bracket	
7	Flat washer, 5/16 inch, chrome (4)	94066-90T	NOTE: Appearance of actual components may vary from illustration.		