



INSTRUCTIONS

-J00692

REV. 2008-12-19

DETACHABLE WINDSHIELD KITS

GENERAL

Kit Numbers

57240-05, 57701-08, 57702-08, 57898-04, 57969-97A, 58770-96, 58771-96, 58772-97, 58783-97, 58073-09, 58161-09

Models

For model fitment information, see the P&A Retail Catalog or the Parts and Accessories section of www.harley-davidson.com (English only).

Additional Parts Required

Detachable Windshield Docking Hardware Kit 58907-96B contains the docking hardware required to mount any of the above windshields, and is available from a Harley-Davidson dealer.

WARNING

The rider's safety depends upon the correct installation of this kit. Use the appropriate service manual procedures. If the procedure is not within your capabilities or you do not have the correct tools, have a Harley-Davidson dealer perform the installation. Improper installation of this kit could result in death or serious injury. (00333a)

NOTE

This instruction sheet references service manual information. A service manual for your model motorcycle is required for this installation and is available from a Harley-Davidson dealer.

CAUTION

Do not use windshield bags with flamed windshields. Damage to graphics will occur. (00393f)

Kit Contents

See Figure 3, Figure 4 and Table 1 .

INSTALLATION

NOTE

Cover the painted surfaces with protective material to prevent scratches or other damage.

Windshield Bracket Installation

1. Install the Windshield Docking Kit per the instructions in that kit.

Windshield Installation

2. See Figure 1. Relocate the clutch cable (1) to the inside of the handlebar (2) as follows:
 - a. Slide the rubber boot off the cable adjuster. The adjuster is located approximately halfway along the clutch cable alongside the front frame downtube.
 - b. Holding the cable adjuster with a 1/2-inch wrench, loosen the jam nut using a 9/16-inch wrench. Back the jam nut away from the cable adjuster. Move the adjuster toward the jam nut to introduce a large amount of free play at the hand lever.
 - c. Remove the small snap ring from the pivot pin groove at the bottom of the clutch lever bracket. Remove the pivot pin and clutch hand lever from the bracket.
 - d. Route the clutch cable to the inside of the handlebars. Connect the clutch cable to clutch lever with OE parts.
 - e. See Figure 2. Turn the cable adjuster away from the jam nut until slack is eliminated at the hand lever. Pull the clutch cable ferrule away from the clutch lever bracket to check free play. Turn the cable adjuster as necessary to obtain 0.625-0.125 inch (1.6-3.2 mm) free play between the end of the cable ferrule and the clutch lever bracket.
 - f. Hold the adjuster with a 1/2-inch wrench. Using a 9/16-inch wrench, tighten the jam nut against the cable adjuster. Cover the cable adjuster mechanism with the rubber boot.
 - g. Install a tie wrap around the right side handlebar riser to hold the right side handlebar wires.
 - h. **On FXSTSB models:** Install a tie wrap around the left side handlebar riser to hold the wires and clutch cable.
On FXSTS models: Install a tie wrap around the left side handlebar riser to hold the wires.

WARNING

Be sure that steering is smooth and free without interference. Interference with steering could result in loss of vehicle control and death or serious injury. (00371a)

3. Slide the windshield into place by hooking the lower windshield "jaws" into the lower docking point bushings, then hook the upper windshield "jaws" into the upper docking point bushings. Firmly push the windshield into place.
4. Latch the retaining springs on the top docking point.

WARNING

Improper installation of accessories or loading of cargo can affect motorcycle stability and handling, which could result in death or serious injury. (00455b)

WARNING

Failure to provide adequate clearance between stationary and moving parts can cause loss of control, which could result in death or serious injury. (00378a)

NOTE

Inspect the windshield upon completion of this installation. Be sure the windshield mounting does not restrict full left or full right movement of the front fork assembly. Restricted movement could affect handling, resulting in death or serious injury. If restriction does occur, adjust the windshield as needed until proper clearance is obtained. Have experienced Harley-Davidson service personnel correct any problems before riding with this accessory installed.

WARNING

Before starting engine, be sure throttle control will snap back to idle position when released. A throttle control that prevents engine from automatically returning to idle can lead to loss of control, which could result in death or serious injury. (00390a)

NOTES

After installation, check the clearance of the throttle cable guide to the fuel tank. Failure to position the guide correctly may cause scratches or other damage to the fuel tank.

Check mounting hardware periodically. Never ride with loose mounts. A loose mount causes extra stress on all the other

mounts, as well as the windshield itself, and could result in premature failure of components.

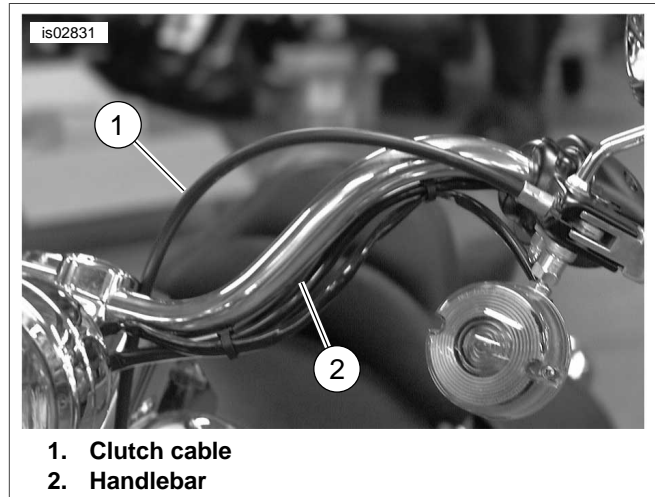


Figure 1. Clutch Cable Routing

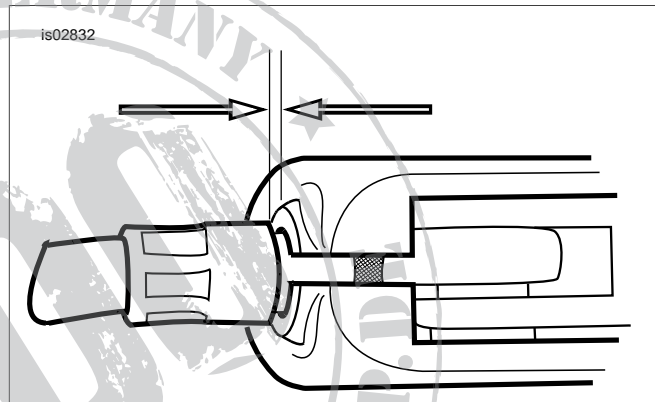


Figure 2. 1/16-1/8 inch (1.6-3.2 mm) Clutch Cable Free Play

SERVICE PARTS

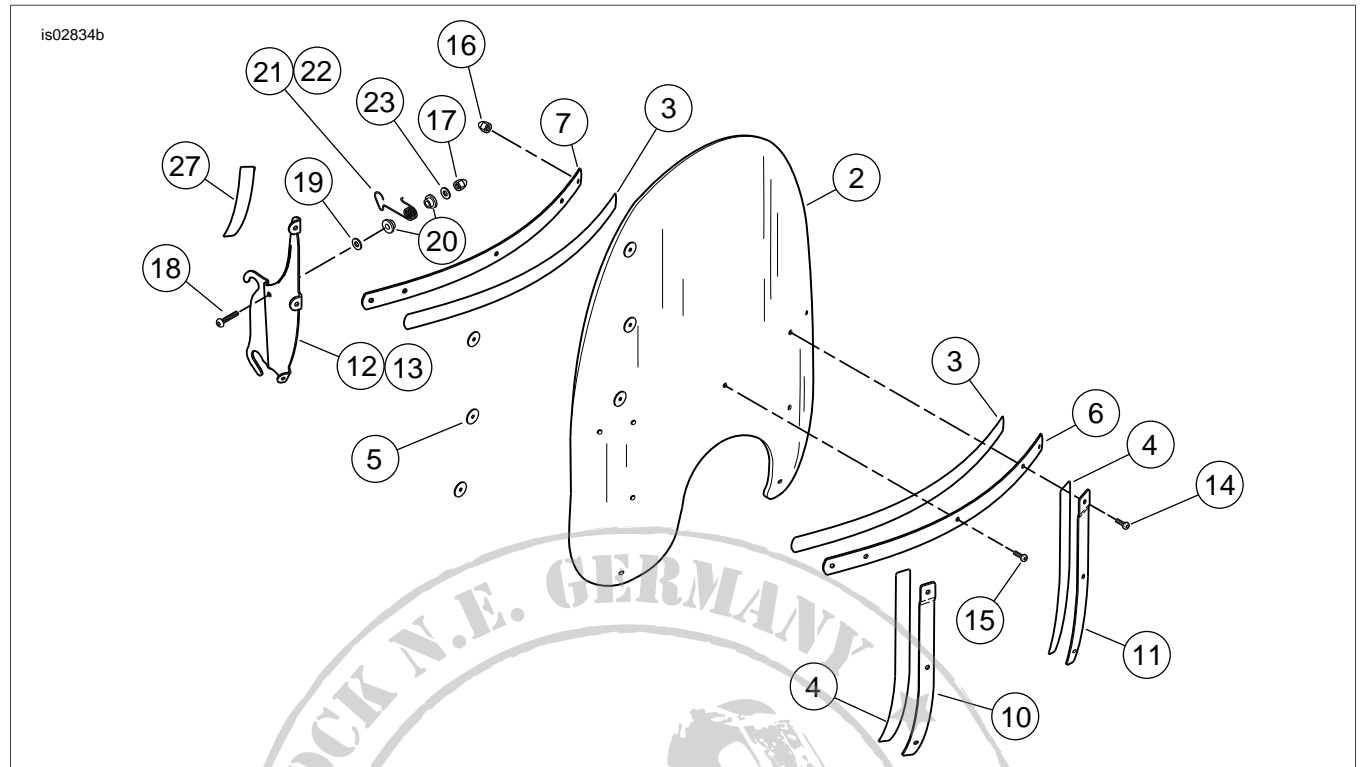


Figure 3. Service Parts: Detachable Windshield Kits EXCEPT 57969-97A

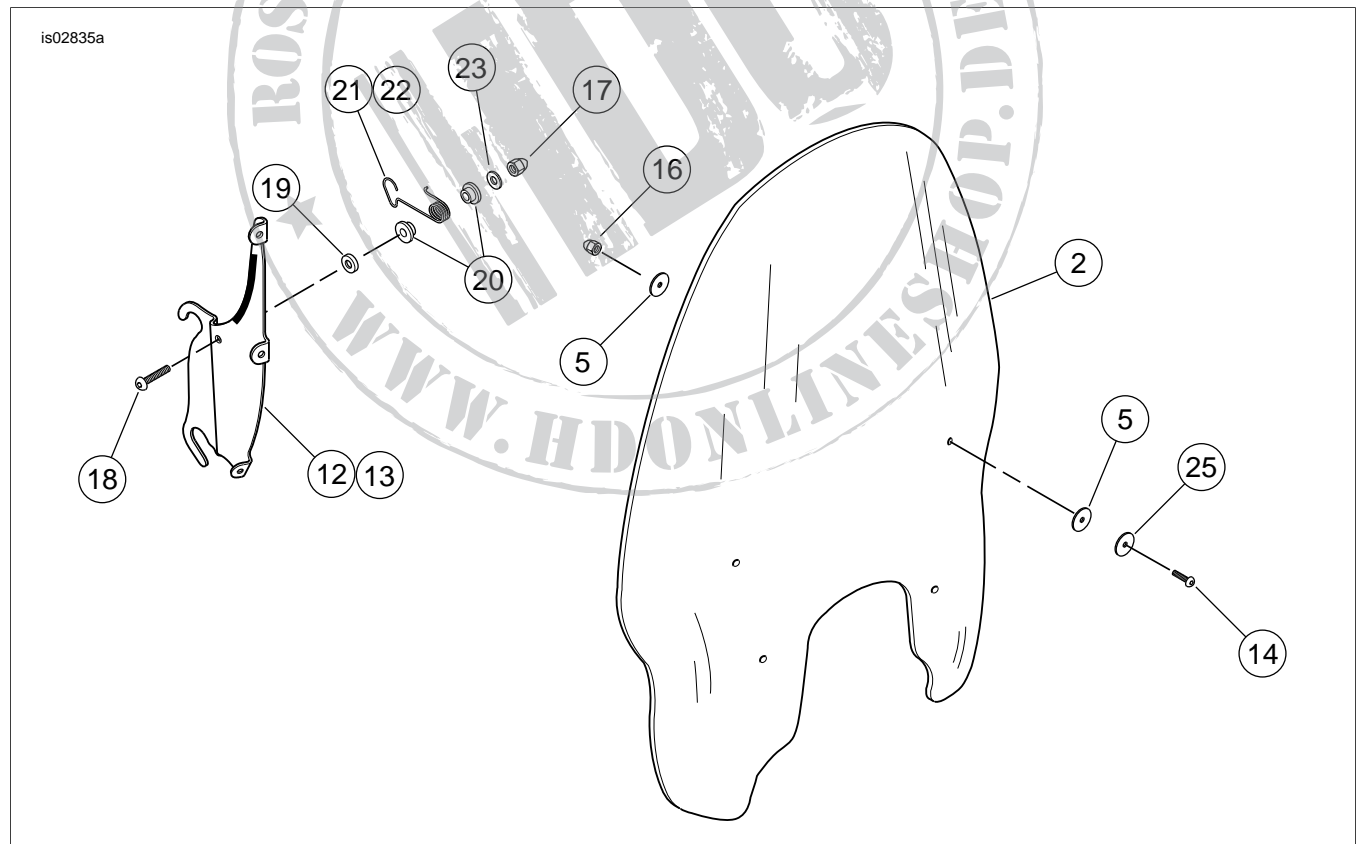


Figure 4. Service Parts, Detachable Windshield Kit 57969-97A

SERVICE PARTS

Table 1. Service Parts Table

Kit	Item	Description (Quantity)	Part Number
Items unique to Kits 57240-05, 58772-97 and 58783-97 (See Figure 3)	1	Windshield Service Kit (For Kit 57240-05. Includes Items 2, 3 and 4) Windshield Service Kit (For Kit 58772-97. Includes Items 2, 3 and 4) Windshield Service Kit (For Kit 58783-97. Includes Items 2, 3 and 4)	57242-05 58559-97 57560-97
	2	• Windshield	Not sold separately
	3	• Tape, horizontal (2)	58539-97
	4	• Tape, vertical (2)	58417-77
	5	Rubber washer (6)	58152-96
	6	Brace, windshield horizontal (outer)	58909-06
	7	Brace, windshield horizontal (inner)	58910-96
Items unique to Kits 57701-08 and 57702-08, (See Figure 3)	1	Windshield Service Kit (For Kit 57701-08. Includes Items 2 through 5) Windshield Service Kit (For Kit 57702-08. Includes Items 2 through 5)	57719-08 57720-08
	2	• Windshield	Not sold separately
	3	• Tape, horizontal (2)	58052-78
	4	• Tape, vertical (2)	58417-77
	5	• Rubber washer (6)	58152-96
	6	Brace, windshield horizontal (outer)	59051-78A
	7	Brace, windshield horizontal (inner)	58050-78A
Items unique to Kits 57898-04 and 58771-96 (See Figure 3)	1	Windshield Service Kit (For Kit 57898-04. Includes Items 2, 3 and 4) Windshield Service Kit (For Kit 58771-96. Includes Items 2, 3 and 4)	58912-04 58805-96
	2	• Windshield	Not sold separately
	3	• Tape, horizontal (2)	58052-78
	4	• Tape, vertical (2)	58417-77
	5	Rubber washer (6)	58152-96
	6	Brace, windshield horizontal (outer)	59051-78A
	7	Brace, windshield horizontal (inner)	58050-78A
Items unique to Kit 58770-96 (See Figure 3)	2	Windshield	Not sold separately
	3	Tape, horizontal (2)	58052-78
	4	Tape, vertical (2)	58417-77
	5	Rubber washer (6)	58152-96
	6	Brace, windshield horizontal (outer)	59051-78A
	7	Brace, windshield horizontal (inner)	58050-83
	Items unique to Kit 57969-97A (See Figure 4)	2	Windshield
5		Rubber washer (8)	58272-95
25		5/16 inch ID, 7/8 inch OD, chrome (4)	6352
Items unique to Kit 58073-09 Kit 58161-09 (See Figure 3)	1	Windshield Service Kit (For Kit 58073-09.) Windshield Service Kit (For Kit 58161-09.)	57719-08 57720-08
	6	Brace, windshield horizontal (outer), black	58069-09
	7	Brace, windshield horizontal (inner), black	58068-09
	10	Brace, windshield vertical (outer, right side), black	58045-09
	11	Brace, windshield vertical (outer, left side), black	58046-09
	12	Bracket, windshield mounting (right side), black	58054-09
	13	Bracket, windshield mounting (left side), black	58058-09

Table 1. Service Parts Table

Kit	Item	Description (Quantity)	Part Number
Items common to ALL Kits (See Figure 3 or 4)	10	Brace, windshield vertical (outer, right side, for all Kits except 57969-97A)	58406-75A
	11	Brace, windshield vertical (outer, left side, for all Kits except 57969-97A)	58408-75A
	12	Bracket, windshield mounting (right side, for all Kits except 57969-97A)	58797-96
		Bracket, windshield mounting (right side, for Kit 57969-97A)	57972-97
	13	Bracket, windshield mounting (left side, for all Kits except 57969-97A)	58798-96
		Bracket, windshield mounting (left side, for Kit 57969-97A)	57971-97
	14	Screw, T-27 TORX pan head, #12-24 x 13/16 inch (21 mm) long, stainless steel, with lock patch (2, for all Kits except 57969-97A)	2452
		Screw, hex socket button head, 5/16-24 x 3/4 inch (19 mm) long, with lock patch (4, for Kit 57969-97A)	94639-99
	15	Screw, T-27 TORX pan head, #12-24 x 5/8 inch (16 mm) long, stainless steel, with lock patch (7) (for all Kits except 57969-97A)	2921
	16	Acorn nut, #12-24 (chrome) (9, for Kits 57240-05, 57898-04, 58783-97)	7651
		Acorn nut, #12-24 (chrome) (9, for Kits 58772-97, 57701-08, 57702-08, 58770-96, 58771-96)	7651A
		Acorn nut, 5/16-18 (chrome) (4, for Kit 57969-97A)	94007-90T
		Acorn nut, 1/4-20 (chrome) (3, for Kit 58669-04)	94004-90T
	18	Cap screw, hex socket head, 1/4-20 x 1-1/2 inch (38 mm) long (2)	94316-91T
	19	Bushing, flat, black nylon (6, for all Kits except 57701-08 and 57702-08)	58794-96
		Bushing, flat, black nylon (2, for Kits 57701-08 and 57702-08)	58794-96T
	20	Bushing, top hat, black nylon (4, for all Kits except 57969-97A)	58272-95
		Bushing, top hat, black nylon (8, for Kit 57969-97A)	57964-97
	21	Windshield retaining spring (right side)	58579-96A
	22	Windshield retaining spring (left side)	58580-96A
	23	Flat washer, chrome (2)	6703
	24	Trim strip (2, for all Kits except 57701-08 and 57702-08)	62540-83