



# INSTRUCTIONS

-J04589

REV. 2009-11-17

## XL1200X QUICK RELEASE WINDSHIELD

### GENERAL

#### Kit Numbers

58053-10, 57682-10

#### Models

For model fitment information, see the P&A retail catalog or the Parts and Accessories section of [www.harley-davidson.com](http://www.harley-davidson.com) (English only).

Table 1. Kits

Kit No.	Description
58053-10	Standard height, clear windshield
57682-10	Low profile, smoked windshield

### WARNING

The rider's safety depends upon the correct installation of this kit. If the procedure is not within your capabilities or you do not have the correct tools, have a Harley-Davidson dealer perform the installation. Improper installation of this kit could result in death or serious injury. (00308a)

#### Kit Contents

See Figure 2 and Table 2.

### INSTALLATION

#### Clamp Assembly to Windshield

1. Remove the windshield subassembly from the packaging, and place face down on a clean, soft surface with the mount brackets facing upward.
2. See Figure 2. Remove the clamp assemblies (9) and hardware kit (11) from the packaging, and separate similar parts in preparation for assembly.

### WARNING

The cupped side of the Belleville (cone) washers must face each other and sandwich the windshield mount brackets at each mount point. Failure to orient washers correctly can reduce windshield's ability to break away in a collision, which could result in death or serious injury. (00422b)

3. Loosely assemble the clamp assemblies to the windshield mount brackets in the sequence shown in Figure 1.

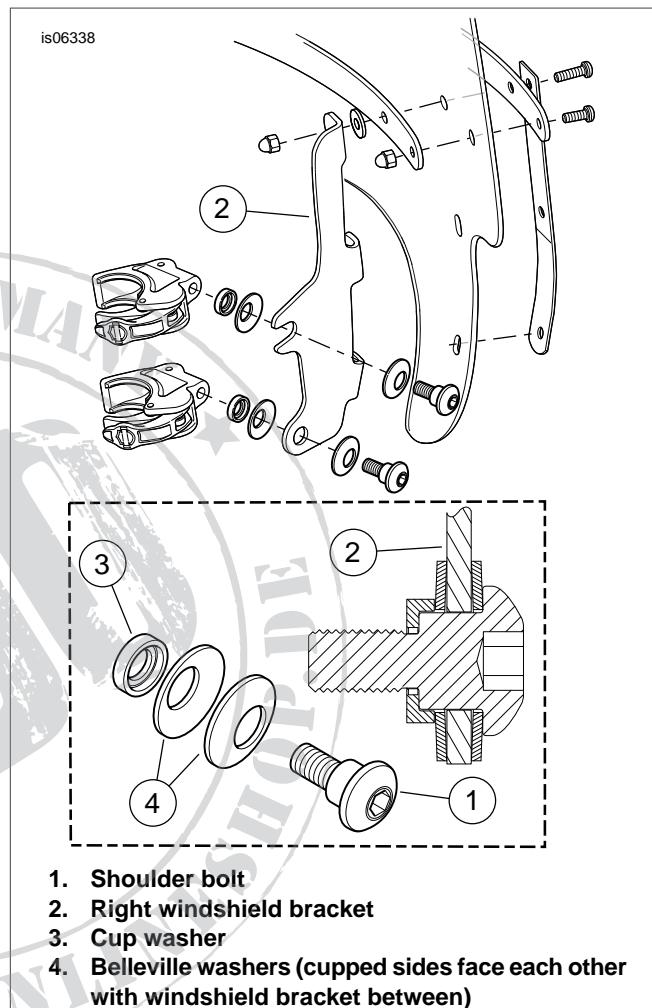


Figure 1. Windshield Mounting Clamps (Right Side Shown)

4. One clamp at a time, with the clamp facing upward and inboard of the windshield bracket (2), tighten the shoulder bolts (1) enough to hold the clamp orientation to the windshield during mounting of the windshield to motorcycle. The bolts will be fully tightened later.

#### Windshield Installation

##### NOTE

Keep the front wheel straight to prevent the brackets from scratching the fuel tank.

1. Make sure all four clamps are in the "open" position, then bring the windshield (with the clamp side away from you) to the front of the motorcycle.

##### NOTE

The polycarbonate windshield is fairly flexible and can be bent to spread the clamps away from the headlamp to ease installation to the motorcycle. Take care not to scratch the headlamp

housing with the clamps while positioning the windshield to the fork tubes.

## **⚠ WARNING**

**Pinched throttle cables can restrict throttle response, which could result in loss of control and death or serious injury. (00423b)**

2. Straddle the front fender and check to verify that the throttle cables are positioned below the lower clamp on your left (as viewed facing the motorcycle, holding the windshield), and will not be pinched by the clamps. Center the windshield around the headlamp, and seat the clamps onto the fork tubes.
3. See Figure 2. Snap the throttle cable clip (16) around the right-side fork tube, and route the throttle cables through the guide opening. Slide the clip down to the lower fork bracket (triple clamp).

## **⚠ WARNING**

**Be sure that steering is smooth and free without interference. Interference with steering could result in loss of vehicle control and death or serious injury. (00371a)**

- Cables should not catch on headlamp hardware or pass in front of headlamp.
  - Cables should not catch on turn signal mounting hardware or turn signals.
  - Cables should not catch on fuel cap or fuel gauge.
  - Cables should not catch on speedometer or tachometer.
  - Be sure cables are not pinched between the frame and/or forks.
  - Be sure clutch cables do not pull tight when handlebars are turned fully to the left or right fork stops.
4. With the shoulder bolts still loosely threaded and starting at the bottom, close one clamp at a time over the fork tubes, noting that the clamps self-align to the tubes and to each other.

### *NOTE*

*Do not tighten the shoulder bolts beyond the recommended torque. Overtightening may cause the clamp to twist on the fork tube, leading to insufficient grip which could cause the windshield to come loose during use.*

5. Make sure that the shoulders of the bolts are fully seated in each windshield bracket location. Tighten each shoulder bolt to **60 in-lbs** (6.7 Nm).
6. Turn the handlebars fully to the left and right fork stops to confirm that the throttle cables move freely. If interference occurs, adjust the windshield as needed until proper clearance is obtained.

### *NOTE*

*Have an experienced Harley-Davidson technician correct any problems before riding with this accessory installed.*

## **Windshield Removal and Storage**

To remove the windshield, open the four clamps, in any sequence, and reverse the installation procedures found in **Windshield Installation**, Steps 4 and 5. Take care to avoid scratching the headlamp housing or fuel tank as noted during installation.

Store the windshield in a location where the windshield clamps will receive the greatest protection. Keep from locations where the windshield may be bumped or dropped. Do not stack anything on top of the windshield assembly.

Prior to installation after storage, inspect the clamps and hardware for fastener preload and cleanliness. Clamps should cycle open and closed freely, and each clamp should have a pair of rubber gaskets (see Table 2) in the clamp saddle where it contacts the fork tube.

## **CARE AND CLEANING**

Check the windshield mounting hardware periodically. Never ride with loose mounts. A loose mount causes extra stress on the remaining mounts, as well as the windshield itself, and could result in premature failure of components.

## **CAUTION**

**Polycarbonate windscreens/windshields require proper attention and care to maintain. Failure to maintain polycarbonate properly can result in damage to the windscreen/windshield. (00483d)**

- Sunlight reflections off of the inside curvature of a windshield can, at certain times of the day, cause extreme heat build-up on motorcycle instruments. Exercise care in parking. Park facing the sun, place an opaque object over the instruments, or adjust the windshield to avoid reflections.
- Do not clean polycarbonate in hot sun or high temperature.
- Powdered, abrasive or alkaline cleanser will damage the windshield.
- Never scrape the windshield with a razor blade or other sharp instrument, as permanent damage will result.

## **CAUTION**

**Use only Harley-Davidson recommended products on Harley-Davidson windshields. Do not use harsh chemicals or rain sheeting products, which can cause windshield surface damage, such as dulling or hazing. (00231c)**

- Do not use benzine, paint thinner, gasoline, lubricants (including Armorall®), or other cleaning agents on the rubber bushings. Doing so will damage the bushing surfaces.

### *NOTE*

*Covering the windshield with a clean, wet cloth for about 15 minutes before washing will make dried bug removal easier.*

# SERVICE PARTS

is06335

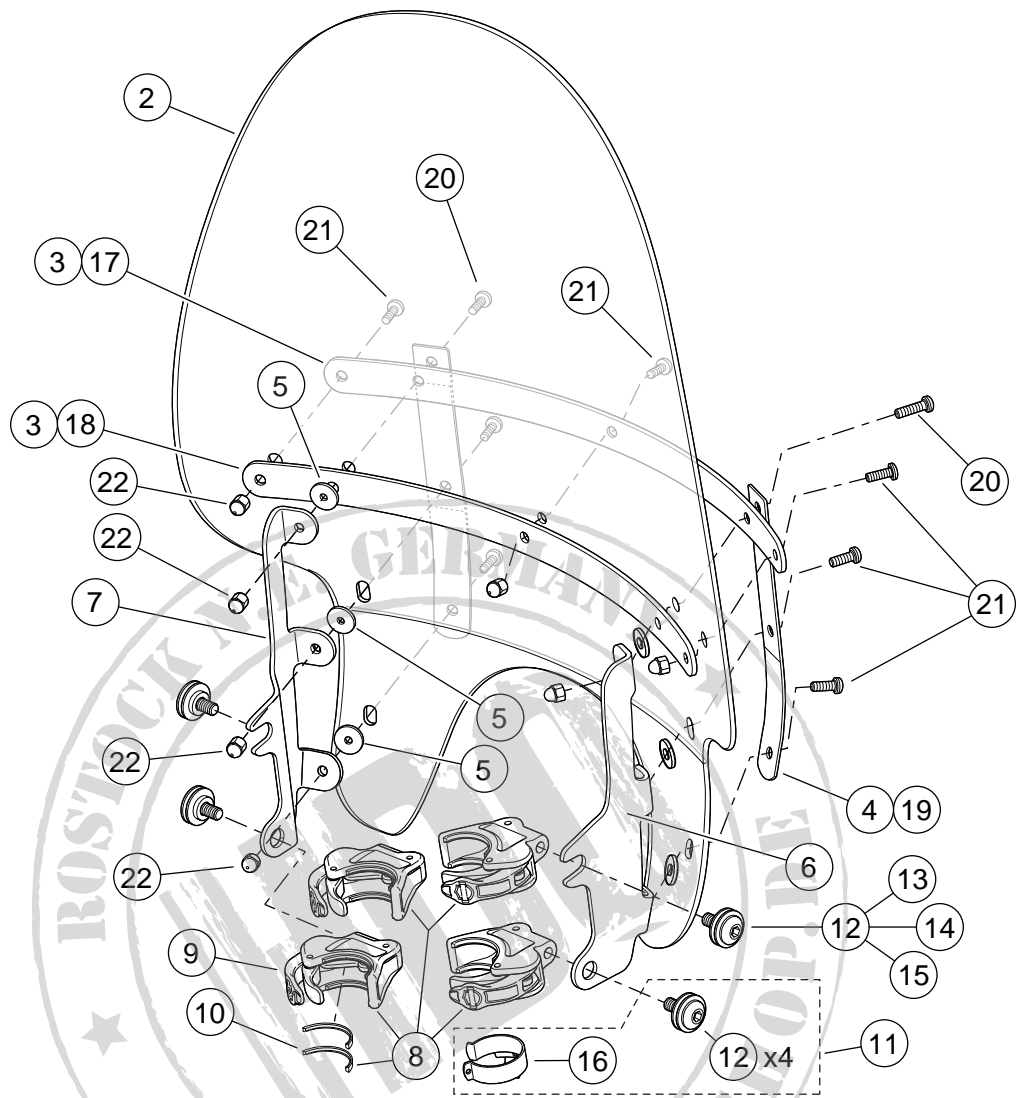


Figure 2. Service Parts, XL1200X Quick Release Windshield

## SERVICE PARTS

Table 2. Service Parts

Item	Description (Quantity)	Part Number
1	Windshield service kit, standard height, clear Windshield service kit, low profile, smoked (Service kit includes Items 2-5)	57762-10 57763-10
2	• Windshield	Not sold separately
3	• Tape, horizontal (2)	58052-78
4	• Tape, vertical (2)	Not sold separately
5	• Washer, black rubber (6)	58152-96
6	Bracket, windshield mount, black (right)	58180-10
7	Bracket, windshield mount, black (left)	58188-10
8	Clamp set, tool-less release (includes four clamps with gaskets)	Not sold separately
9	• Clamp, tool-less release (includes two gaskets) (4)	58174-04A
10	• --- Gasket (2)	58791-04
11	Hardware kit (includes four of item 12, and item 16)	Not sold separately
12	• Hardware kit, windshield mount (4) (includes items 13 through 15)	58790-04
13	• --- Shoulder bolt	Not sold separately
14	• --- Spacer, cup washer	Not sold separately
15	• --- Belleville washer (2)	Not sold separately
16	• Clip, throttle cable	10868
17	Brace, horizontal, outer (black)	58069-09
18	Brace, horizontal, inner (black)	58068-09
19	Brace, vertical (black) (2)	Not sold separately
20	Screw, button head, TORX®, #12-24 x 13/16 in. (20.6 mm) long, with lock patch (2)	2452
21	Screw, button head, TORX, #12-24 x 5/8 in. (15.9 mm) long, with lock patch (7)	2921
22	Acorn nut, #12-24 (chrome) (9)	7651A