



INSTRUCTIONS

-J04399

REV. 2007-06-28

MID-FRAME AIR DEFLECTORS

GENERAL

Kit Number

58022-07A

Models

For model fitment information, please see the P&A Retail Catalog or the Parts and Accessories section of www.harley-davidson.com (English only).

WARNING

The rider's safety depends upon the correct installation of this kit. If the procedure is not within your capabilities or you do not have the correct tools, have a Harley-Davidson dealer perform the installation. Improper installation of this kit could result in death or serious injury. (00308a)

NOTE

Do not use Loctite on the fasteners used to secure the mid-frame air deflectors to the frame. If Loctite contacts the air deflectors, damage will occur.

Kit Contents

See Figure 5 and Table 1 and Figure 6 and Table 2.

INSTALLATION

Model Years 2001-2007

1. Refer to Owner's Manual and remove seat.
2. Remove stock plastic cruise control cable clip from frame near end of fuel tank if equipped.

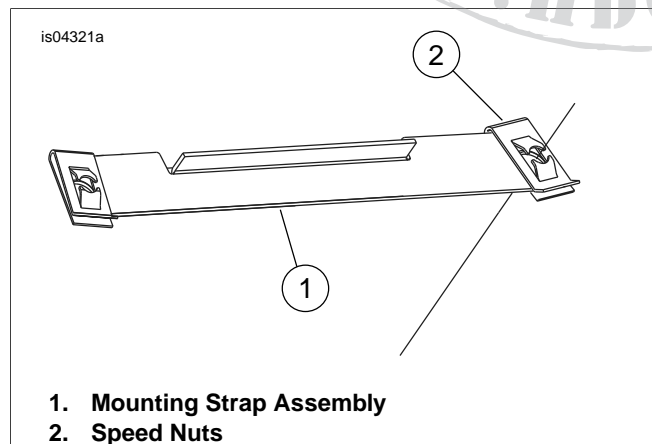


Figure 1. Install Speed Nuts to Mounting Strap



Figure 2. Mounting Strap Location - View of Frame from Above with Seat Removed

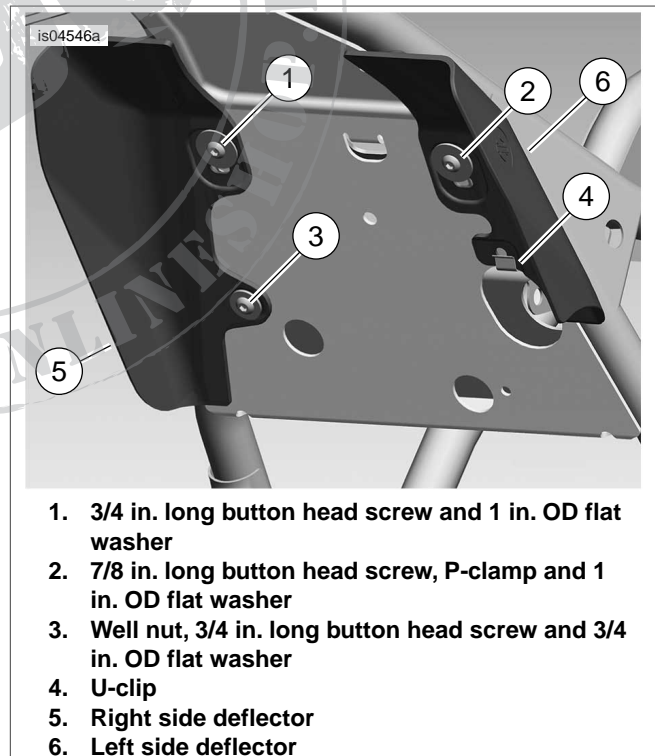


Figure 3. Fastener Locations - View of Frame Rearward of Rear Cylinder, Engine Removed for Clarity

3. See Figure 1. Assemble speed nuts (2) to both ends of mounting strap (1) and align edges of nuts to angled ends of strap.

4. See Figure 2. Install mounting strap assembly (1) through window of frame. Position strap so speed nuts are aligned over the 1/4 inch diameter holes in frame as shown.
5. See Figure 3. Attach strap assembly to frame using a 3/4 inch length button head screw (1) and the 7/8 inch length button head screw (2) by inserting them from the underside of frame plate. Tighten screws enough to keep strap from moving and prevent it from shifting position during deflector installation.
6. Insert well nut (3) into underside of frame plate. Apply liquid soap to the outer surface of the well nut to ease installation.
7. Remove 3/4 inch screw (1), then position right side deflector as shown and secure with the 3/4 inch screw and 1 inch washer. Do not tighten.
8. Install screw and small washer (3). Do not tighten.
9. Firmly push the deflector against the outer side of frame and tighten screws to 25-35 **in-lbs** (2.8-3.9 Nm).
10. Remove left side mounting strap screw (2).
11. Install cable clamp (Figure 5, Item 9) to cruise control cable (if equipped).
12. See Figure 3. Insert screw through cable clamp (if necessary), washer (2) and left side deflector (6) and install to mounting strap speed nut. Firmly push deflector against outside of rail and tighten screw to 25-35 **in-lbs** (2.8-3.9 Nm).

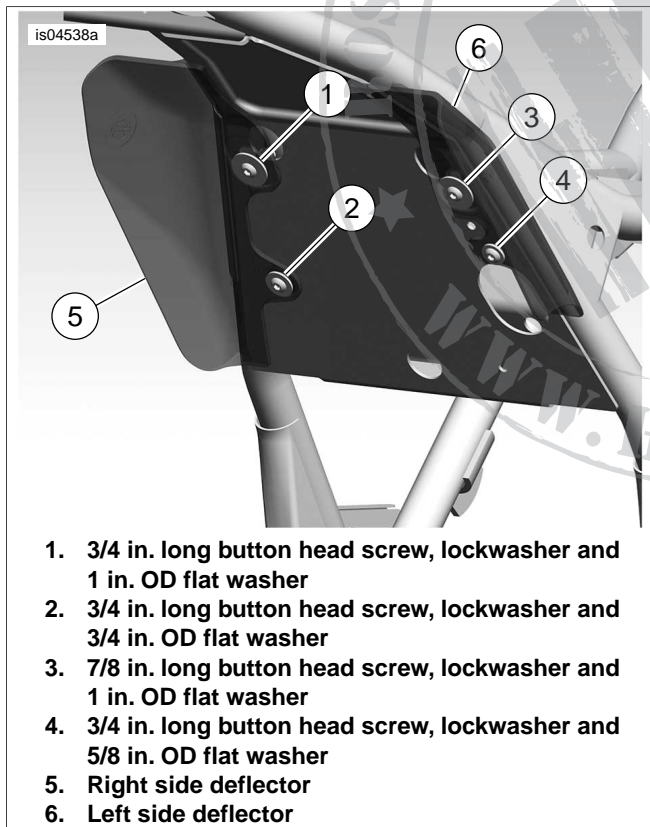


Figure 4. Fastener Locations - View of Frame Rearward of Rear Cylinder, Engine Removed for Clarity

13. Install U-clip (4) to deflector and frame plate. Clip barbs should be against frame plate. Reach into the frame window (from above the frame) to release the barbs from the plate during installation.
14. Ensure that the cruise control cable is positioned above the rounded area of the U-clip.

WARNING

After installing seat, pull upward on seat to be sure it is locked in position. While riding, a loose seat can shift causing loss of control, which could result in death or serious injury. (00070b)

15. Refer to the Owner's Manual and install seat.

Model Year 2008

1. Refer to Owner's Manual and remove seat.

NOTE

The following step will provide threaded deflector mounting holes in the 2008 frame. The special self-clinching nuts included in this kit are inserted into the hex shaped holes in the frame and secured in place by deforming the nut with a screw.

2. Install self-clinching nuts as follows.
 - a. See Figure 6 and Table 2. Obtain special nut (8), hex cap screw (2) and washer (5) from kit.
 - b. Fully thread screw with the washer into nut and insert the assembled nut, washer and screw assembly into one of the four hex shaped holes in frame cross-member plate. Press the assembly firmly into place against the frame crossmember plate.
 - c. Tighten screw to 60 **in-lbs** (6.8 Nm) (approximately 2-1/2 turns).
 - d. Remove the screw and washer and use them to repeat the process for the three remaining hex shaped holes.
 - e. Discard the screw and retain the washer.
3. See Figure 4. Install right side deflector (5) using screw, lockwasher and washer (1). Do not tighten.
4. Install screw, lockwasher and washer (2). Do not tighten.
5. Firmly push deflector against outer frame and tighten screws to 25-35 **in-lbs** (2.8-3.9 Nm).
6. Install left side deflector (6) using screw, lockwasher and washer (3). Do not tighten.
7. Install screw, lockwasher and washer (4). Do not tighten.
8. Firmly push deflector against outer frame and tighten screws to 25-35 **in-lbs** (2.8-3.9 Nm).

WARNING

After installing seat, pull upward on seat to be sure it is locked in position. While riding, a loose seat can shift causing loss of control, which could result in death or serious injury. (00070b)

9. Refer to the Owner's Manual and install seat.

SERVICE PARTS

is04537a

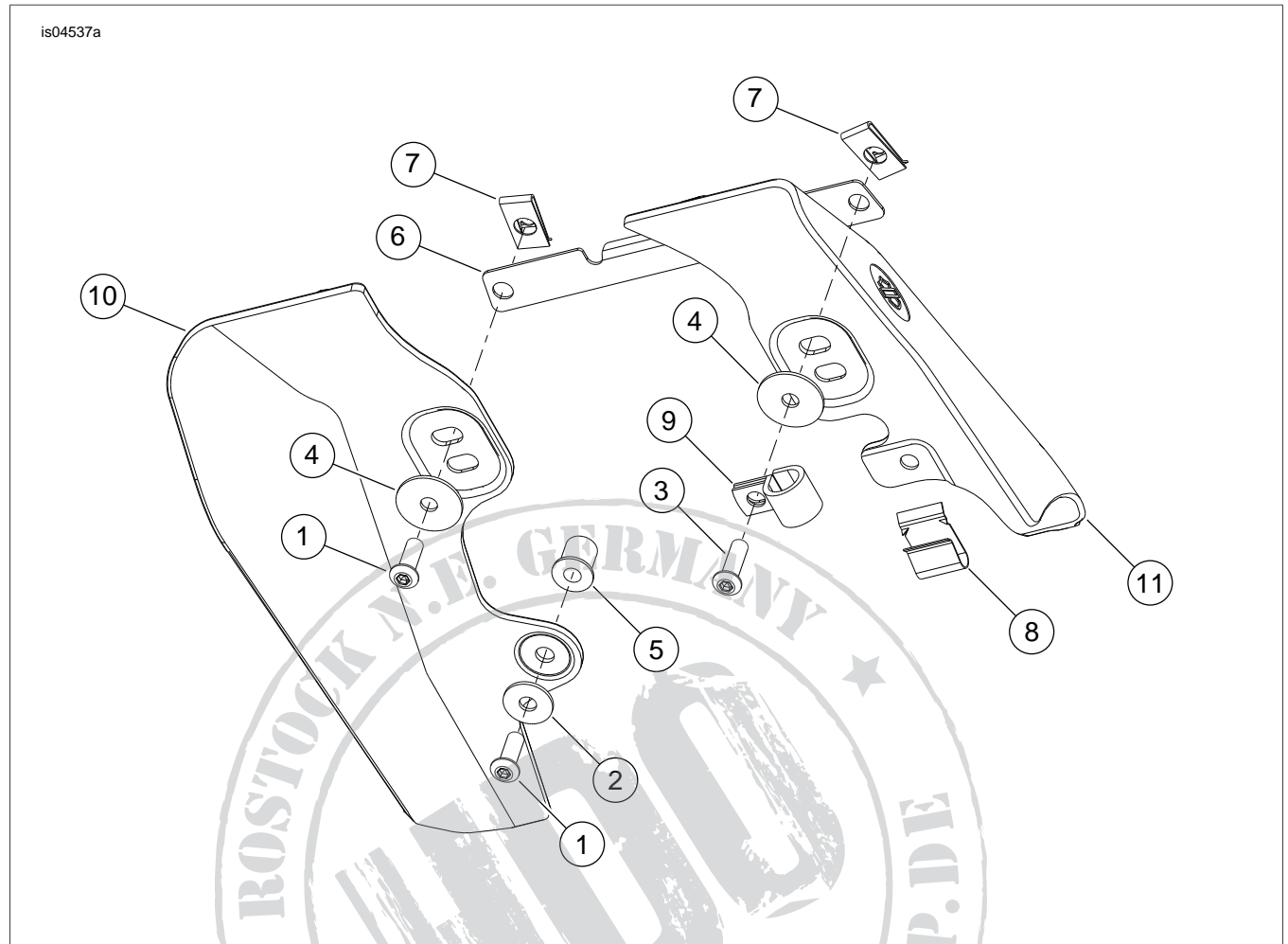


Figure 5. Service Parts: Mid Frame Air Deflectors Kit, 2001-2007 Models

Table 1. Service Parts Table

Item	Description (Quantity)	Part Number
1	Screw, hex socket, button head, 1/4-20 x 3/4 in. (3)	923
2	Washer, flat, 3/4 in. OD	6253W
3	Screw, hex socket, button head, 1/4-20 x 7/8 in.	4015
4	Washer, flat, 1 in. OD (2)	6036
5	Well nut	6596
6	Strap, mounting	Not Sold Separately
7	Speed nut (2)	8108
8	Clip, U type	58439-07
9	Clamp	10053
10	Mid frame air deflector, right	Not Sold Separately
11	Mid frame air deflector, left	Not Sold Separately

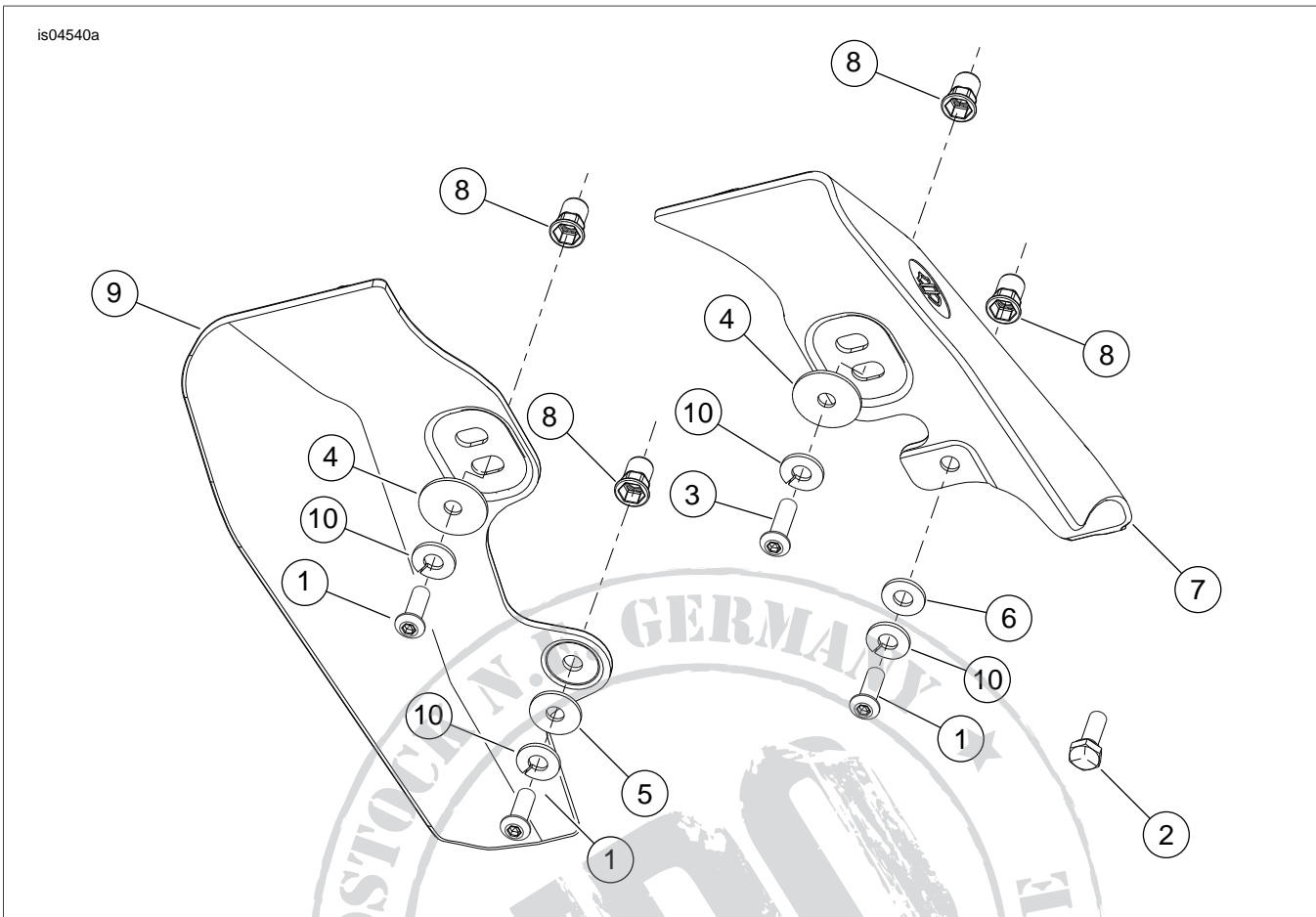


Figure 6. Service Parts: Mid Frame Air Deflectors Kit, 2008 Models

Table 2. Service Parts Table

Item	Description (Quantity)	Part Number
1	Screw, hex socket button head, 1/4-20 x 3/4 in. (3)	923
2	Screw, hex cap, 1/4-20 x 3/4 in.	3787
3	Screw, hex socket, button head, 1/4-20 x 7/8 in.	4015
4	Washer, flat, 1 in. OD (2)	6036
5	Washer, flat, 3/4 in. OD	6253W
6	Washer, flat, 5/8 in. OD	6703
7	Mid frame air deflector, left	Not Sold Separately
8	Nut, special (4)	8194
9	Mid frame air deflector, right	Not Sold Separately
10	Lockwasher (4)	6036