



INSTRUCTIONS

-J05692

2014-01-08

STREET SUPER-SPORT WINDSHIELD KIT

GENERAL

Kit Number

57400192

Models

For model fitment information, see the P&A Retail Catalog or the Parts and Accessories section of www.harley-davidson.com (English only).

Installation Requirements

⚠ WARNING

The rider's safety depends upon the correct installation of this kit. Use the appropriate service manual procedures. If the procedure is not within your capabilities or you do not have the correct tools, have a Harley-Davidson dealer perform the installation. Improper installation of this kit could result in death or serious injury. (00333a)

NOTE

This instruction sheet refers to service manual information. A service manual for this year/model motorcycle is available from a Harley-Davidson dealer.

Kit Contents

See Figure 2 and Table 1.

PREPARATION

⚠ WARNING

To prevent accidental vehicle start-up, which could cause death or serious injury, remove main fuse before proceeding. (00251b)

1. Remove the main fuse. See the service manual.
2. Remove the fairing, leaving the control cables and upper fairing support bracket in place. See the service manual.
3. Remove the headlamp. See the service manual.
4. Remove the fairing mounting bracket. Remove the front license plate bracket if equipped. See the service manual. Discard the bracket components. If a front license plate bracket is needed, accessory kit (Part No. 67900242) must be purchased separately.
5. Temporarily relocate front turn signal lamps so they are approximately 51 mm (2 in) above the lower fork bracket.

INSTALLATION

NOTE

Cover front fender and front of fuel tank with clean shop towels to prevent cosmetic damage.

Assemble Clamps to Windshield

1. Remove windshield sub-assembly from packaging. Place face down on a clean, soft surface with mount brackets facing upward.
2. See Figure 2. Remove clamp and hardware kits from packaging, and separate similar parts in preparation for assembly.
3. See Figure 1. Assemble clamp assemblies and hardware stacks.

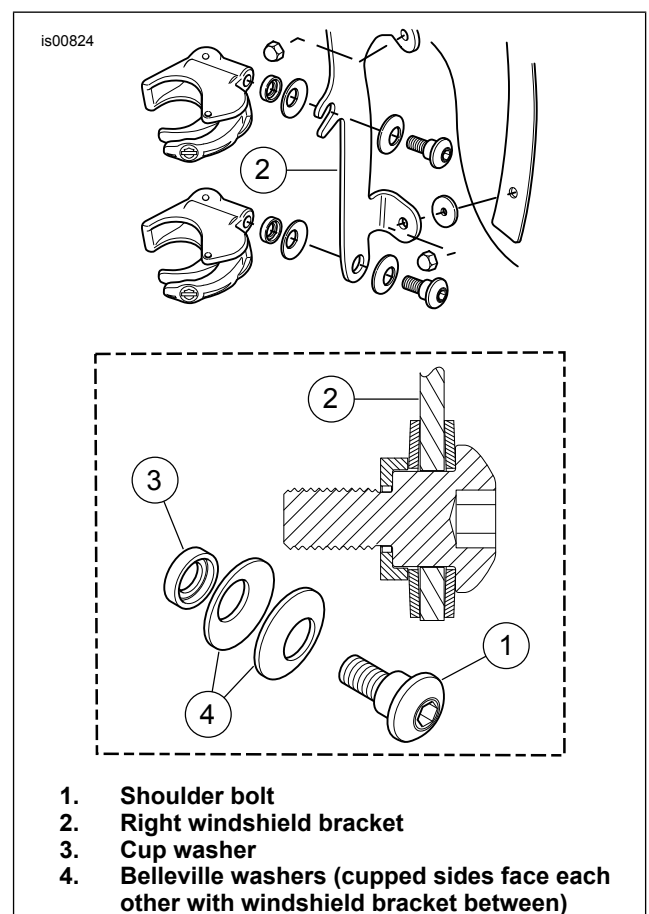


Figure 1. Windshield Mounting Clamp

⚠ WARNING

The cupped side of the Belleville (cone) washers must face each other and sandwich the windshield mount brackets at each mount point. Failure to orient washers correctly can reduce windshield's ability to break away in a collision, which could result in death or serious injury. (00422b)

4. One clamp at a time, with clamp facing upward and inboard of windshield bracket (2), tighten shoulder bolts (1) enough to hold clamp orientation to windshield during mounting of windshield. The bolts will be fully tightened later.

Install Windshield

NOTE

Keep front wheel straight to prevent brackets from scratching fuel tank.

1. Make sure all four clamps are in the "open" position.

▲ WARNING

Pinched throttle cables can restrict throttle response, which could result in loss of control and death or serious injury. (00423b)

2. Verify that throttle cables are not pinched by the clamps. Center the windshield and seat the clamps onto the fork sliders.
3. Adjust so that the lower clamps are touching the top of the lower fork bracket.

NOTE

Do not tighten shoulder bolts beyond the recommended torque. Over-tightening may cause the clamp to twist on the fork slider.

4. Starting at the bottom (either side), close each clamp.

NOTE

- If interference occurs, adjust windshield as needed until proper clearance is obtained. Have an experienced Harley-Davidson service technician correct any problems before riding with this accessory installed.
- The fairing cannot be used along with the windshield.

5. Make sure that the shoulder portion of the shoulder bolts are fully seated in each windshield bracket location. Tighten each shoulder bolt to 6.7 N·m (60 in-lbs).
6. Install components removed during preparation:
 - a. Adjust and secure turn signal lamps verifying they do not touch the windshield. See the service manual.
 - b. Remove windshield.
 - c. If required, install front license plate bracket kit.
 - d. Install and adjust headlamp. See the service manual.

- e. Install the windshield with lower clamps touching the lower fork bracket.
- f. Install the main fuse. See the service manual.

Remove and Store Windshield

To remove windshield, open four clamps in any sequence and reverse installation procedures. Take care to not scratch headlamp housing or fuel tank.

When storing windshield, place in a location where windshield clamps will receive the greatest protection. Keep from locations where the windshield may be bumped or dropped. Do not stack anything on top of the assembly.

Prior to installation after any storage period, inspect clamps and hardware for fastener preload and cleanliness. Verify that each clamp has a pair of rubber gaskets in the clamp saddle that mates to the fork slider, and that they cycle open and closed freely.

CARE AND CLEANING

NOTICE

Polycarbonate windscreens/windshields require proper attention and care to maintain. Failure to maintain polycarbonate properly can result in damage to the windscreen/windshield. (00483d)

- Do not use benzene, paint thinner, gasoline or any other type of harsh cleaner on the windscreen/windshield. Doing so will damage the surface.
- Do not clean windshield in hot sun or high temperature.
- Powdered, abrasive or alkaline cleanser will damage the windshield.
- Sunlight reflections off of the inside curvature of a windshield can, at certain times of the day, cause extreme heat build-up on motorcycle instruments. Exercise care in parking. Park facing the sun, place an opaque object over the instruments, or adjust the windshield to avoid reflections.
- Do not use benzene, paint thinner, gasoline or any other cleaning agents on the rubber bushings. Doing so will damage the bushing surfaces.

NOTE

Covering the windshield with a clean, wet cloth for about 15 minutes before washing will make dried bug removal easier.

Harley-Davidson Windshield Water Repellent Treatment Part Number 99841-01 is approved for use on Harley-Davidson windshields.

SERVICE PARTS

is07908

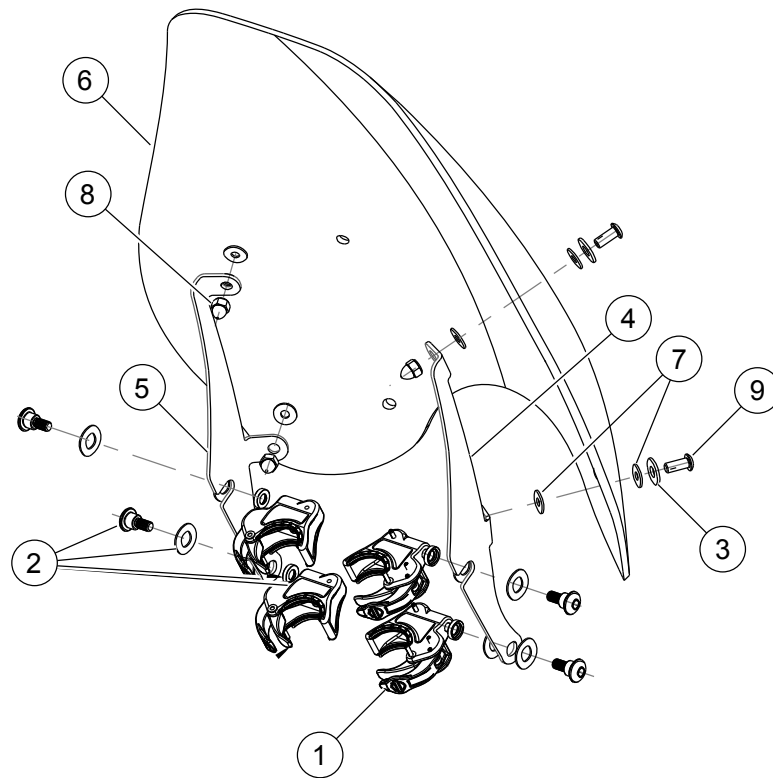


Figure 2. Service Parts: Super Sport Windshield

Table 1. Service Parts

Item	Description (Quantity)	Part Number
1	Clamp set, 37 mm (4)	10800067
2	Kit, windshield mounting hardware (4)	58202-04
3	Washer, plain type A (4)	6352
4	Bracket, windshield detach 39 mm models	57820-08
5	Bracket, windshield detach 39 mm models	57823-08
6	Service windshield, (includes item 7)	57400264
7	Washer, windshield mounting (8)	57964-97
8	Nut, acorn 1/4-20 (4)	94007-90T
9	Screw, button head with lock patch (4)	94639-99