



# INSTRUCTIONS

-J05521

2016-09-27

## SOFTAIL WIND DEFLECTORS

### GENERAL

#### Kit Number

57400143

#### Models

For model fitment information, see the P&A retail catalog or the Parts and Accessories section of [www.harley-davidson.com](http://www.harley-davidson.com) (English only).

#### NOTE

*This instruction sheet references service manual information. A service manual for this year/model motorcycle is required for this installation. One is available from a Harley-Davidson dealer.*

#### Installation Requirements

If your FLST, FLSTC, FLSTF or FLSTN model motorcycle is equipped with a windshield but not a passing lamp assembly, two 5/16 x 1 x 1/8 in washers (Part No. 6645) are needed. These washers are used as spacers for the bottom of the deflector.

#### Kit Contents

See Figure 3 and Table 1.

### INSTALLATION

1. **With rigid mount windshield**, see Figure 1.
  - a. Remove the bolts (1), lockwashers (2), and flat washers (3) securing one side of the windshield support bracket/passing lamp bracket. Save all hardware for installation. Be sure the large spacer (4) between the auxiliary lamp bracket and the fork remains in place.
  - b. Place the wind deflector (5) outboard of the passing lamp bracket. Install the hardware removed in Step 1a, but **do not** tighten the bolts now.
2. **With detachable windshield**, see Figure 2.
  - a. Remove the bolts (1) and flat washers (2) securing one side of the windshield docking point/passing lamp bracket. Save all hardware for installation.

#### NOTE

*On 2000 and later models, be sure the wind deflector is outside of the windshield docking points.*

*On ALL models: For proper fitment, passing lamps/turn signals may have to be readjusted to gain clearance between turn signal and wind deflector.*

3. Position the wind deflector parallel to the fork leg. Install the remaining flat washers, lockwashers and bolts. **Do not** tighten the bolts now.

#### NOTE

*For FLST, FLSTC, FLSTF or FLSTN model motorcycles equipped with a windshield but not a passing lamp assembly, use two 5/16 x 1 x 1/8 in washers (Part No. 6645, purchased separately) to space the deflector away from the fork leg **on the bottom bolt only**.*

4. Position the wind deflector so it does not touch the bottom of the windshield, the turn signal or the engine guard, if present. The deflector bolt holes are slotted for this purpose.
5. When the deflector is correctly positioned, tighten the bolts.  
Torque: 23 N·m (17 ft-lbs)
6. Repeat steps 1-5 on the opposite side of the vehicle.

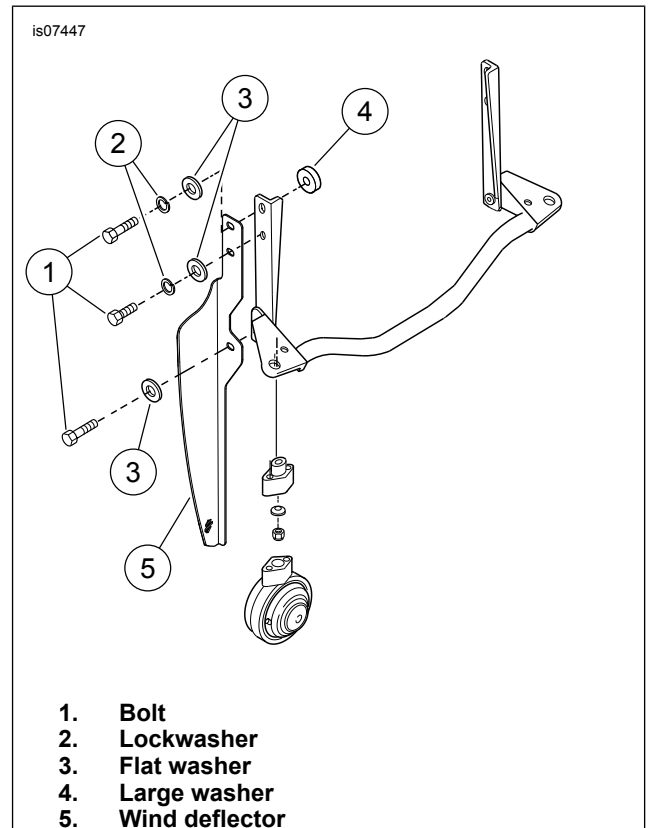


Figure 1. Assembly with Rigid Mount Windshield

288123

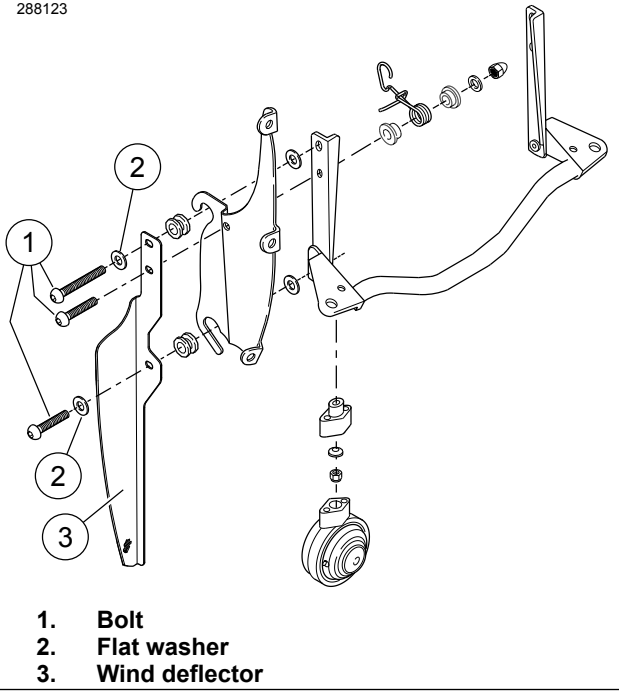


Figure 2. Assembly with Detachable Windshield

### SERVICE PARTS

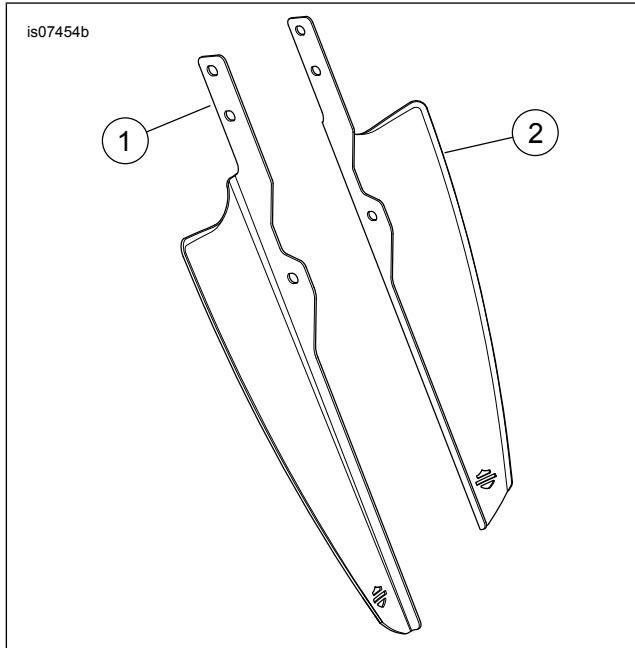


Figure 3.

Table 1. Service Parts

Item	Description (Quantity)	Part Number
1	Wind deflector, right side (1)	Not sold separately
2	Wind deflector, left side (1)	Not sold separately