



# INSTRUCTIONS

-J05424

2015-08-01

## FLD WINDSHIELD KIT

### GENERAL

#### Kit Number

57400120

#### Models

For model fitment information, see the P&A Retail Catalog or the Parts and Accessories section of [www.harley-davidson.com](http://www.harley-davidson.com) (English only).

#### Installation Requirements

##### ▲ WARNING

The rider's safety depends upon the correct installation of this kit. If the procedure is not within your capabilities or you do not have the correct tools, have a Harley-Davidson dealer perform the installation. Improper installation of this kit could result in death or serious injury. (00308a)

##### NOTE

A service manual for your model motorcycle is available from a Harley-Davidson dealer.

#### Kit Contents

See Figure 1 and Table 1.

### INSTALLATION

1. Lower the windshield into position by carefully inserting the side brackets until the bottom notches are seated on the lower grommets.

##### NOTE

Make sure that the notches on each bracket are firmly seated on a rubber grommet.

2. From the front of the motorcycle, push the top of the windshield toward the rear until the upper notches fully engage the upper grommets.

3. Push down on the wireform latch springs until the springs overhang the rubber grommets.

##### NOTE

Loosen fasteners to rotate latch springs into the proper position.

### CARE AND CLEANING

#### NOTICE

Polycarbonate windscreens/windshields require proper attention and care to maintain. Failure to maintain polycarbonate properly can result in damage to the windscreen/windshield. (00483d)

- Do not use benzene, paint thinner, gasoline or any other type of harsh cleaner on the windscreen/windshield. Doing so will damage the surface.
- Do not clean in hot sun or high temperature.
- Powdered, abrasive or alkaline cleanser will damage the windshield.
- Sunlight reflections off of the inside curvature of a windshield can, at certain times of the day, cause extreme heat build-up on motorcycle instruments. Exercise care in parking. Park facing the sun, place an opaque object over the instruments, or adjust the windshield to avoid reflections.
- Do not use benzene, paint thinner, gasoline or any other cleaning agents on the rubber bushings. Doing so will damage the bushing surfaces.

##### NOTE

Covering the windshield with a clean, wet cloth for about 15 minutes before washing will make dried bug removal easier.

Harley-Davidson Windshield Water Repellent Treatment (Part No. 99841-01) is approved for use on Harley-Davidson polycarbonate windshields.



# SERVICE PARTS

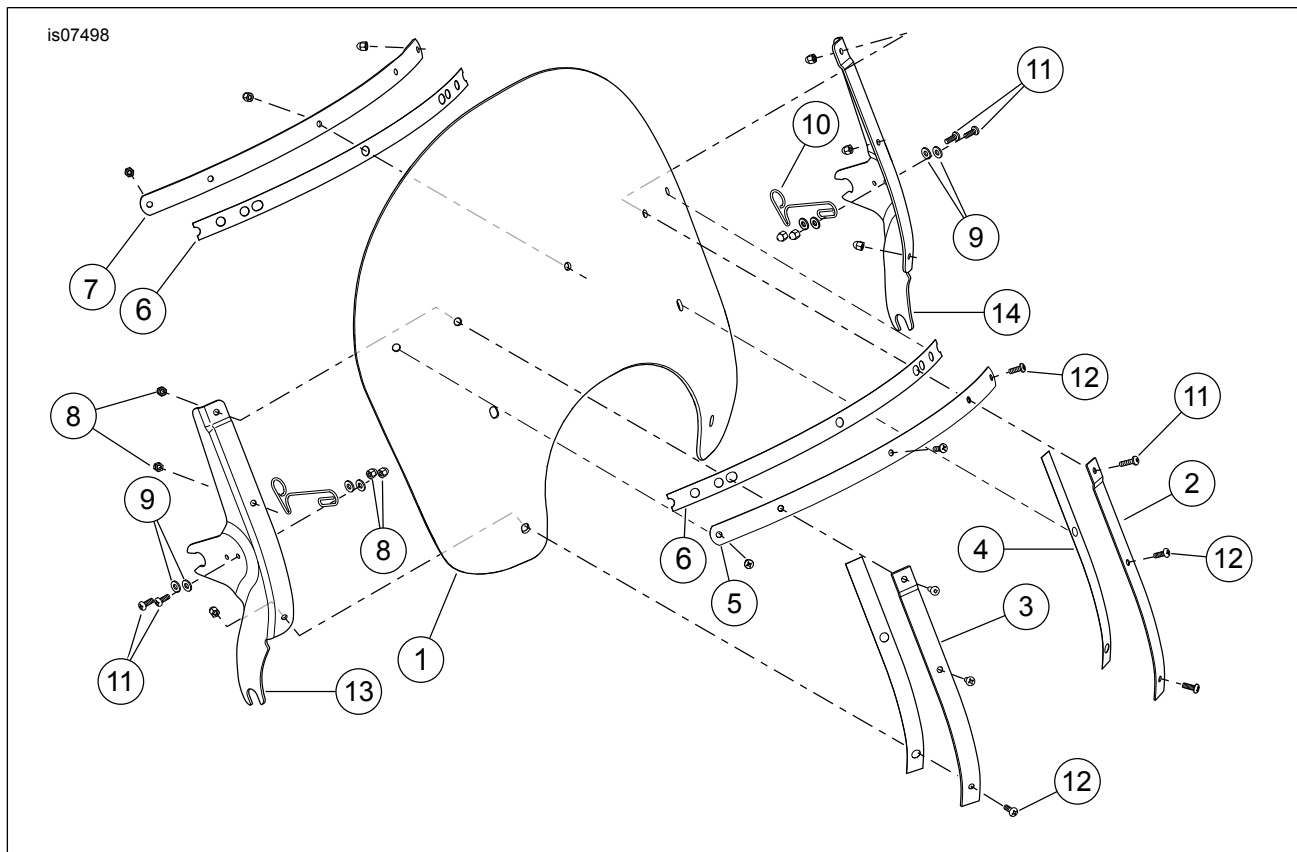


Figure 1. Service Parts: FLD Windshield Kit

Table 1. Service Parts Table

Item	Description (Quantity)	Part Number
1	Windshield, clear (includes brace tape)	57400124
2	Outer LH vertical brace	57400072
3	Outer RH vertical brace	57400073
4	Outer vertical brace tape (2)	57400085
5	Outer horizontal brace	57400071
6	Horizontal brace tape (2)	58416-77A
7	Inner horizontal brace	57400070
8	Acorn nuts (13)	7651A
9	Plain washers (8)	6119
10	Spring latches (2)	38722-94
11	Panhead Torx screws (6)	2452
12	Panhead Torx screws (7)	2921
13	RH bracket	57673-12
14	LH bracket	57672-12