



INSTRUCTIONS

-J05380

2011-06-14

FLST (WITH FOG/PASSING LAMPS) DETACHABLE WINDSHIELD KIT

GENERAL

Kit Number

57400110, 57400111, 57400112, 57400113, 57400114, 57400115

Models

For model fitment information, see the P&A retail catalog or the Parts and Accessories section of www.harley-davidson.com (English only).

Additional Parts Required

NOTE

A service manual for your model motorcycle is available from a Harley-Davidson Dealer.

Kit Contents

See Figure 1 and Table 1, Figure 2 and Table 2.

INSTALLATION

⚠ WARNING

The rider's safety depends upon the correct installation of this kit. If the procedure is not within your capabilities or you do not have the correct tools, have a Harley-Davidson dealer perform the installation. Improper installation of this kit could result in death or serious injury. (00308a)

NOTE

Place shop rags on the headlamp and front of the fuel tank to prevent scratches to headlamp and fuel tank. Be sure the windshield assembly does not contact chrome or painted parts. Contact will cause scratches to chrome or painted parts.

Spacers on the topmost screws will fall free when the screws are removed. Take care that the spacers do not strike the fuel tank or fender, damaging the finish.

NOTE

Keep front wheel straight to prevent brackets from scratching fuel tank.

1. Remove the stock windshield, if so equipped. Discard the windshield.
2. Figure 2 and Table 2. Remove and discard the original bottom fog/passing lamp bracket screw (4) and washer (1).

3. Place a new flat washer (1), bushing (2) and flat washer (1) on a 1-3/8 inch long screw (4) from the kit. Thread the screw through the lower hole in the fog/ passing lamp bracket and decorative fork cover, and into the triple clamp. Tighten the screw to 10.8 N-m (8 ft-lbs).
4. Repeat Step 3 on the opposite side of the motorcycle.
5. Place a flat washer (1), bushing (2), and flat washer (1), on a screw (3) from the kit. Place the screw through the top hole of the fog/passing lamp bracket and through OE spacer. Tighten screws (8) to 10.8 N-m (8 ft-lbs).
6. Repeat Step 5 on the opposite side of the vehicle.

⚠ WARNING

Improper installation of accessories or loading of cargo can affect motorcycle stability and handling, which could result in death or serious injury. (00455b)

⚠ WARNING

Failure to provide adequate clearance between stationary and moving parts can cause loss of control, which could result in death or serious injury. (00378a)

NOTE

Inspect windshield upon completion of installation. Be sure windshield mounting does not restrict full left or full right movement of front fork assembly. If restriction does occur, adjust windshield as needed until proper clearance is obtained. Have experienced Harley-Davidson service personnel correct any problems before riding with this accessory installed.

NOTE

Check mounting hardware periodically. Never ride with loose mounts. A loose mounting causes extra stress on all other mounts, as well as the windshield itself, and could result in premature failure of components.

REMOVING THE WINDSHIELD

To remove the windshield, grab the windshield edges on each side of the center brace and firmly pull the windshield loose from the bushing grooves.

CARE AND CLEANING

NOTE

Sunlight reflections off of the inside curvature of a windshield can, at certain times of the day, cause extreme heat build-up on motorcycle instruments. Exercise care in parking. Park facing the sun, place an opaque object over the instruments, or adjust the windshield to avoid reflections.



NOTICE

Use only Harley-Davidson recommended products on Harley-Davidson windshields. Do not use harsh chemicals or rain sheeting products, which can cause windshield surface damage, such as dulling or hazing. (00231c)

Do not clean polycarbonate in hot sun or high temperature. Powdered, abrasive or alkaline cleanser will damage the

windshield. Never scrape the windshield with a razor blade or other sharp instruments because permanent damage will result.

NOTE

Covering the windshield with a clean, wet cloth for about 15 minutes before washing will make dried bug removal easier.

Harley-Davidson Windshield Water Repellent Treatment Part Number 99841-01 is approved for use on Harley-Davidson windshields.

SERVICE PARTS

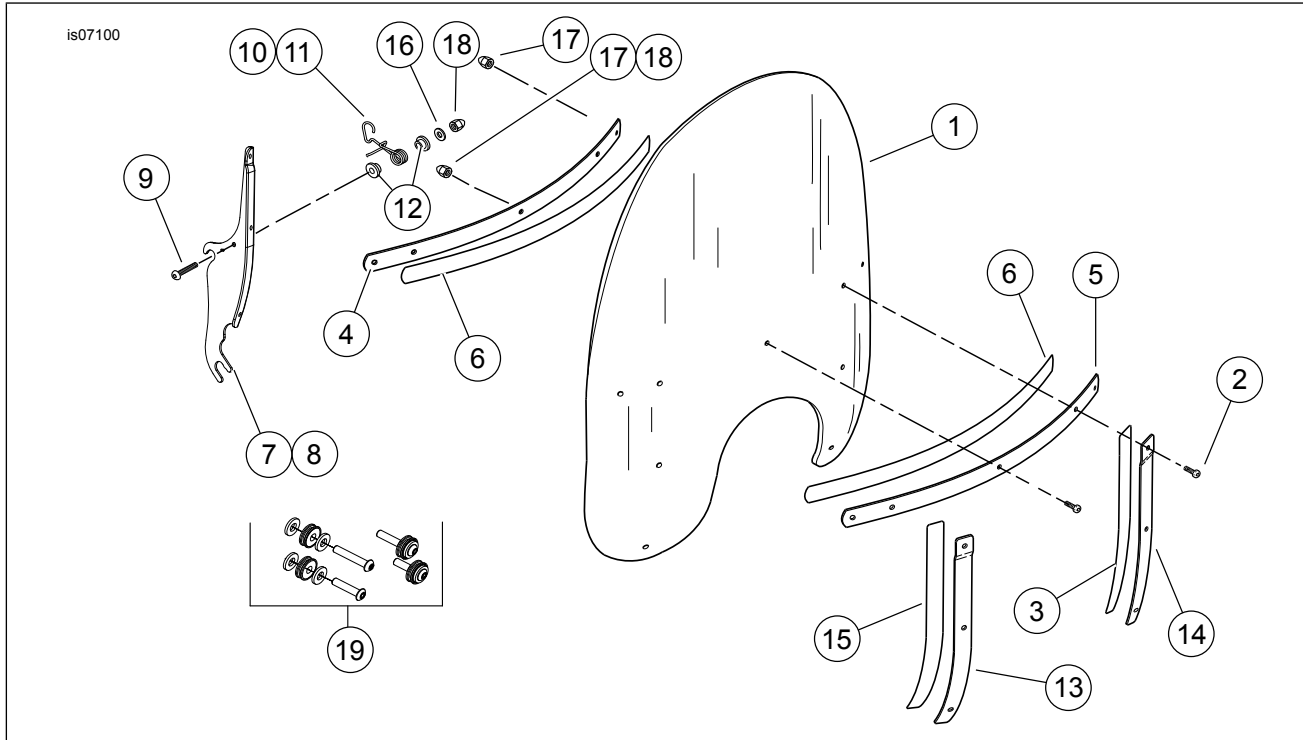


Figure 1. Service Parts: Windshield Kits

Table 1. Service Parts: Windshield Kits

Item	Description (Quantity)	Part Number	Item	Description (Quantity)	Part Number
1	Windshield, standard height, clear	58241-95	9	Screw, button head (2) 1/4-20 x 1-1/4 inch	94426-95
	Windshield, low, smoked	58277-95	10	Windshield retainer (right)	58253-95
	Windshield, standard height, clear	58294-09	11	Windshield retainer (left)	58252-95
	Windshield, 2 inch taller than standard, clear	57754-04	12	Nylon bushing (4)	58272-95
2	Screw, pan head, Torx (2) #12-24 x 13/16 inch	2452	13	Brace, vertical, right, polished	58406-75A
3	Screw, pan head, Torx (7) #12-24 x 5/8 inch	2921		Brace, vertical, right, black	58045-09
4	Brace, horizontal, inner, polished	58431-94	14	Brace, vertical, left, polished	58408-75A
	Brace, horizontal, inner, black	57690-10		Brace, vertical, left, black	58046-09
5	Brace, horizontal outer windshield, polished	58428-94	15	Tape, windshield bracket (2)	58417-77
	Brace, horizontal outer windshield, black	57689-10	16	Flat washer, 1/4 inch, silver (2)	6703
6	Tape	58416-77A	17	Acorn nut, #12-24 (chrome) (9)	7651A
7	Bracket, left, polished	58291-95	18	Acorn nut, 1/4-20 (chrome) (2)	94004-90T
	Bracket, left, black	12700042	19	Hardware kit: Washer, heat treated (8) Hex socket button head screws (2) Hex socket button head screws (2) Bushings (4)	91800025
	Bracket left chrome	57063-00A			
8	Bracket, right, polished	57062-00A			
	Bracket, right black	12700043			
	Bracket, right, chrome	57062-00A			

NOTE: Appearance of actual components may vary from illustration.

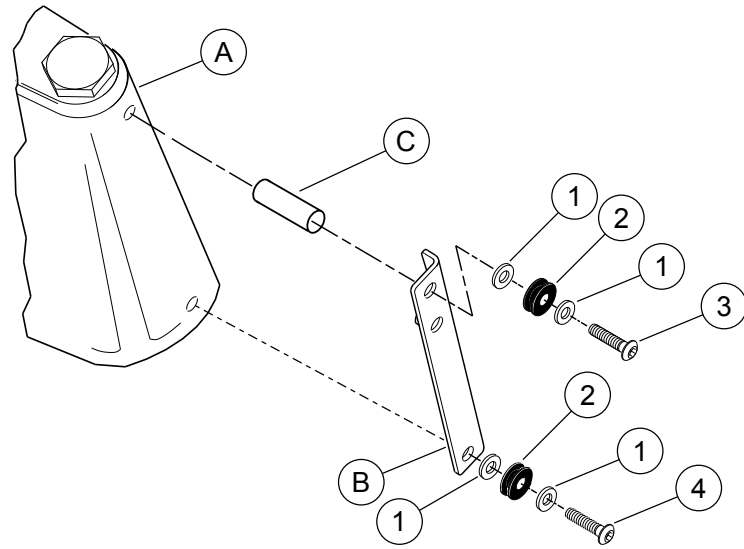


Figure 2. Service Parts: Hardware Kit

Table 2. Service Parts Table

Item	Description (Quantity)	Part Number
1	Washer, 0.105 inch (2.7 mm) (8)	6400HB
2	Bushing (4)	67621-94
3	Screw, button head, 1 3/4 inch	4343
4	Screw, button head, 1 3/8 inch	4482
Items mentioned in text:		
A	Decorative triple clamp cover	
B	Fog/Passing lamp bracket	
C	Original equipment spacer	