



# INSTRUCTIONS

-J05176

2010-12-08

## QUICK RELEASE DETACHABLE WINDSHIELD KIT

### GENERAL

#### Kit Number

57400021, 57400022

#### Models

For model fitment information, see the P&A Retail Catalog or the Parts and Accessories section of [www.harley-davidson.com](http://www.harley-davidson.com) (English only).

#### ▲ WARNING

The rider's safety depends upon the correct installation of this kit. If the procedure is not within your capabilities or you do not have the correct tools, have a Harley-Davidson dealer perform the installation. Improper installation of this kit could result in death or serious injury. (00308a)

#### Kit Contents

See Figure 3 and Table 1.

### INSTALLATION

#### Install the Windshield - All Models

1. See Figure 1. Remove the windshield sub-assembly from the packaging and place face down on a clean, soft surface with the mount brackets facing up.
2. See Figure 3 and Table 1. Remove both the clamp and hardware kits from the packaging, and separate similar parts in preparation for assembly.
3. See Figure 2. Assemble the clamp assemblies and hardware stacks.

#### ▲ WARNING

The cupped side of the Belleville (cone) washers must face each other and sandwich the windshield mount brackets at each mount point. Failure to orient washers correctly can reduce windshield's ability to break away in a collision, which could result in death or serious injury. (00422b)

#### NOTE

Keep front wheel straight to prevent brackets from scratching fuel tank.

4. One clamp at a time, with the clamp facing upward and inboard of the windshield bracket (2), tighten the shoulder bolts (1) only enough to hold the clamp orientation to the windshield during mounting of the windshield to the motorcycle. The bolts will be fully tightened later.

#### NOTE

The polycarbonate windshield is fairly flexible and can be bent to spread the clamps away from the headlamp to ease installation to the motorcycle. Take care not to scratch the headlamp housing with the clamps while positioning the windshield to the fork sliders.

5. Make sure all four clamps are in the open position, then bring the windshield (with the clamp side away from you) to the front of the motorcycle.

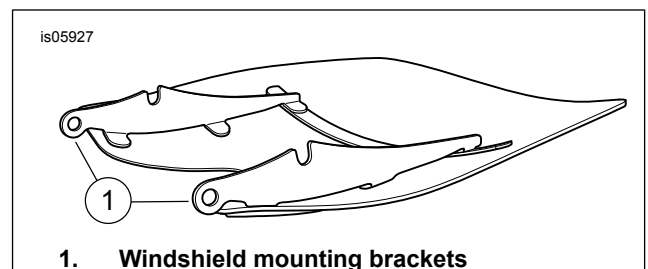


Figure 1. Windshield Mounting Brackets

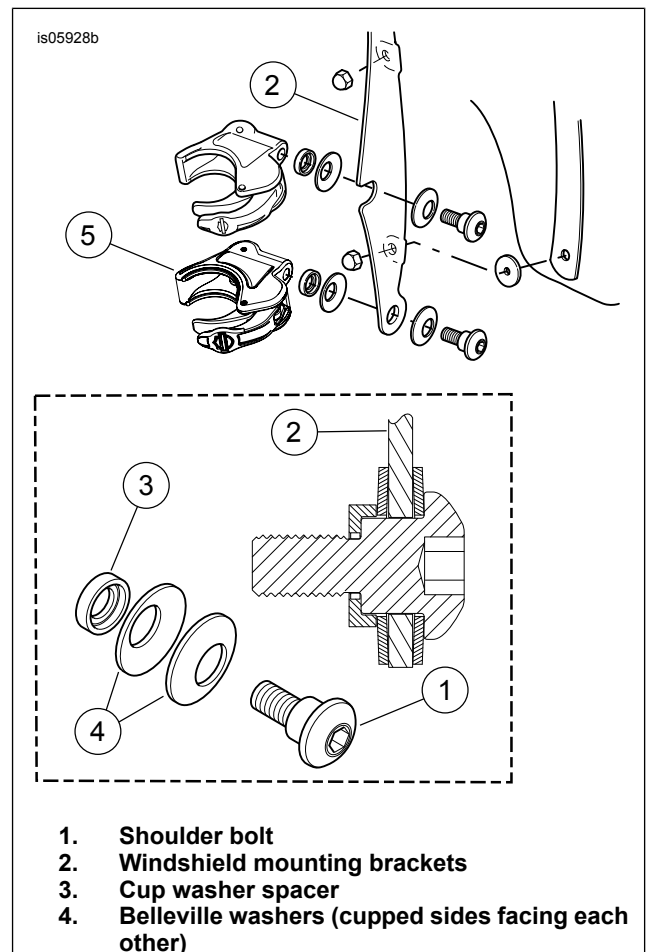


Figure 2. Windshield Mounting Clamp

- Straddle the front fender. Center the windshield around the headlamp and seat the clamps onto the fork sliders.
- Starting at the bottom (either side) and with the shoulder bolts just a little more than finger tight, close each clamp, taking note that the clamps self-align to the fork sliders and to each other.

**NOTICE**

**Do not exceed recommended torque when installing mounting screws. Damage to windshield can result. (00385a)**

- With the windshield clamps now clamped to the fork sliders, make sure that the shoulder portion of the shoulder bolts are fully seated in each windshield bracket location. Tighten each shoulder bolt to 6.7 N·m (60 in-lbs).
- Turn the handlebars fully to the left and right fork stops to confirm that the throttle cables move freely.

**Removing the Windshield - All Models**

- To remove the windshield, open the four clamps in any sequence. Take care to not scratch the headlamp housing or fuel tank as noted during installation.
- When storing the windshield, place in a location where the windshield clamps will receive the greatest protection. Keep from locations where the windshield may be impacted, dropped or scratched. Do not stack anything on top of the assembly.

- Prior to re-installation after any storage period, inspect the clamps and hardware for fastener preload and cleanliness. Each clamp should have a pair of rubber gaskets in the clamp saddle that mates to the fork slider, and should allow the clamp to open and closed freely.

**Care and Cleaning**

**NOTICE**

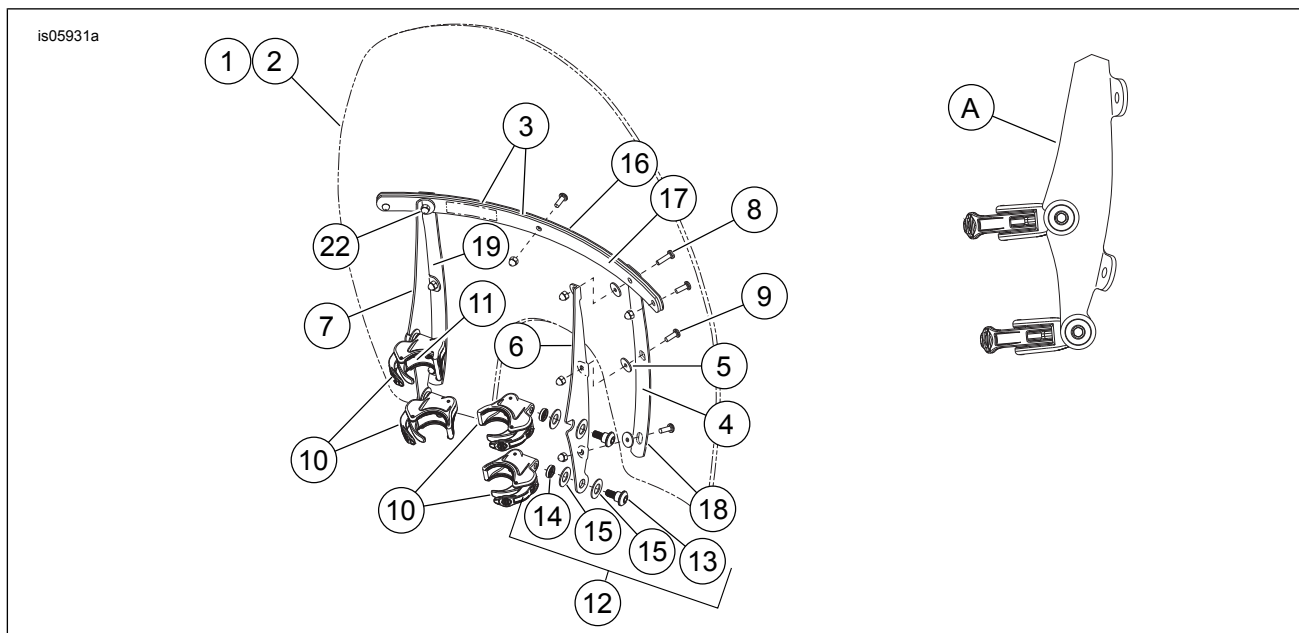
**Polycarbonate windscreens/windshields require proper attention and care to maintain. Failure to maintain polycarbonate properly can result in damage to the windscreen/windshield. (00483d)**

- Do not use benzene, paint thinner, gasoline or any other type of harsh cleaner on the windscreen/windshield. Doing so will damage the surface.
- Do not clean polycarbonate in hot sun or high temperature.
- Powdered, abrasive or alkaline cleanser will damage the windscreen/windshield.
- Sunlight reflections off of the inside curvature of a windscreen/windshield can, at certain times of the day, cause extreme heat build-up on motorcycle instruments. Exercise care in parking. Park facing the sun, place an opaque object over the instruments, or adjust the windscreen/windshield to avoid reflections.
- Do not use benzene, paint thinner, gasoline or any other cleaning agents on the rubber bushings. Doing so will damage the bushing surfaces.

**NOTE**

*Covering the windshield with a clean, wet cloth for about 15 minutes before washing will make dried bug removal easier.*

**SERVICE PARTS**



**Figure 3. Service Parts: Quick Release Detachable Windshield Kits**

**Table 1. Service Parts Table**

Item	Description (Quantity)	Part Number
1	Windshield service kit for standard, clear kit 57400021 (includes items 2-5) Windshield service kit for low, smoke kit 57400022 (includes items 2-5)	58750-05 57201-05
2	• Windshield	Not Sold Separately
3	• Tape, horizontal (2)	58052-78
4	• Tape, vertical (2)	59804-05
5	• Washer, rubber, black (6)	58152-96

**Table 1. Service Parts Table**

<b>Item</b>	<b>Description (Quantity)</b>	<b>Part Number</b>
6	Bracket, windshield mount, right, black	58399-09
7	Bracket, windshield mount, left, black	58398-09
8	Screw, button head TORX, lock patch, 12-24 x 5/8 inch (7)	2921
9	Acorn nut, 12-24 (chrome) (9)	7651A
10	Clamp assembly (4) (includes two of item 11)	58740-05
11	Gasket (8) (two per clamp)	58791-04
12	Hardware kit, windshield mount (4) (includes items 13 through 15)	58790-04
13	• Shoulder screw, button head	Not Sold Separately
14	• Spacer, cup washer	Not Sold Separately
15	• Belleville washer (2)	Not Sold Separately
16	Brace, horizontal, outer, black	58069-09
17	Brace, horizontal, inner, black	58068-09
18	Brace, vertical, right, black	58616-09
19	Brace, vertical, left, black	58388-09
20	Screw, button head, TORX <sup>®</sup> , lock patch, 12-24 x 13/16 inch (2)	2452
<b>Items mentioned in text, but not included in kit:</b>		
A	Side view of clamps assembled to bracket.	
<b>NOTE: Appearance of actual components may vary from illustration.</b>		