



# INSTRUCTIONS

-J04300

REV. 2006-10-26

## MULTI-POCKET WINDSHIELD POUCH

### GENERAL

#### Kit Number

57203-07

#### Models

For model fitment information, please see the P&A Retail Catalog or the Parts and Accessories section of [www.harley-davidson.com](http://www.harley-davidson.com) (English only).

### CAUTION

**Do not use windshield bags with flamed windshields. Damage to graphics will occur. (00393f)**

#### Weight Restriction

Please refer to the weight limit label found inside the right-side pouch.

#### Kit Contents

See Figure 3 and Table 1.

### INSTALLATION

1. See Figure 1. Remove the center, inner left and inner right acorn nuts (7) from the horizontal windshield bracket (5). The two outermost acorn nuts can remain in place.
2. Peel the liner from the adhesive backing of a rubber bumper (1) from the kit. Carefully position the bumper to the forward face of one of the pouch bracket mounting tabs (3), as shown in Figure 2, and press firmly into place. Hold the bumper in position with steady pressure for about one minute to ensure proper adhesion.  
Repeat with two additional bumpers on the remaining mounting tabs.

#### NOTE

*Push the exposed screw threads back into the horizontal windshield bracket (5), and pull the vertical windshield supports (6) slightly away from the horizontal bracket to allow the pouch bracket mounting tabs (3) to fit **between** them.*

3. Place the windshield pouch and bracket (2) with the mounting tabs (3) between the horizontal windshield bracket and vertical windshield supports. Push the screws back through the pouch bracket tabs and vertical supports.
4. Fasten the acorn nuts (7) removed in Step 1 onto the screw threads. Tighten the nuts to 90-110 **in-lbs** (10.2-12.4 Nm).

5. Adjust the windshield position upward if necessary to ensure that the windshield pouches do not rest on handlebar-mounted gauges (if so equipped).

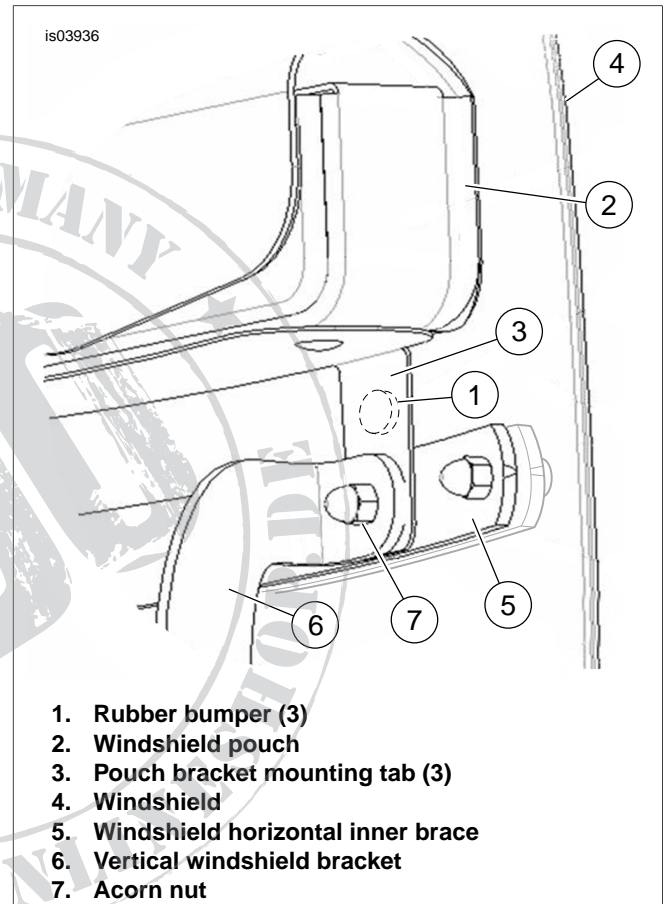


Figure 1. Windshield Pouch Installation, Side View

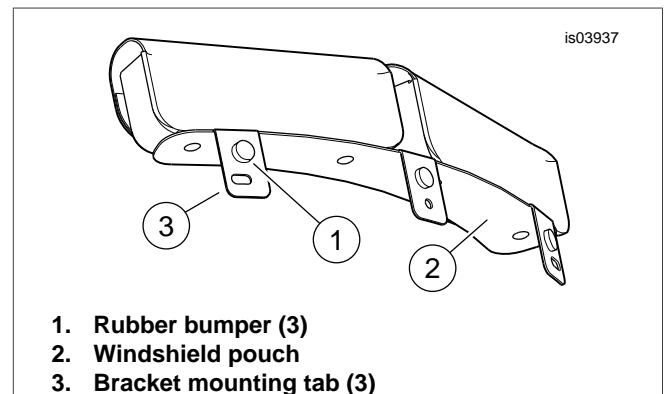


Figure 2. Windshield Pouch, Bottom View

## SERVICE PARTS

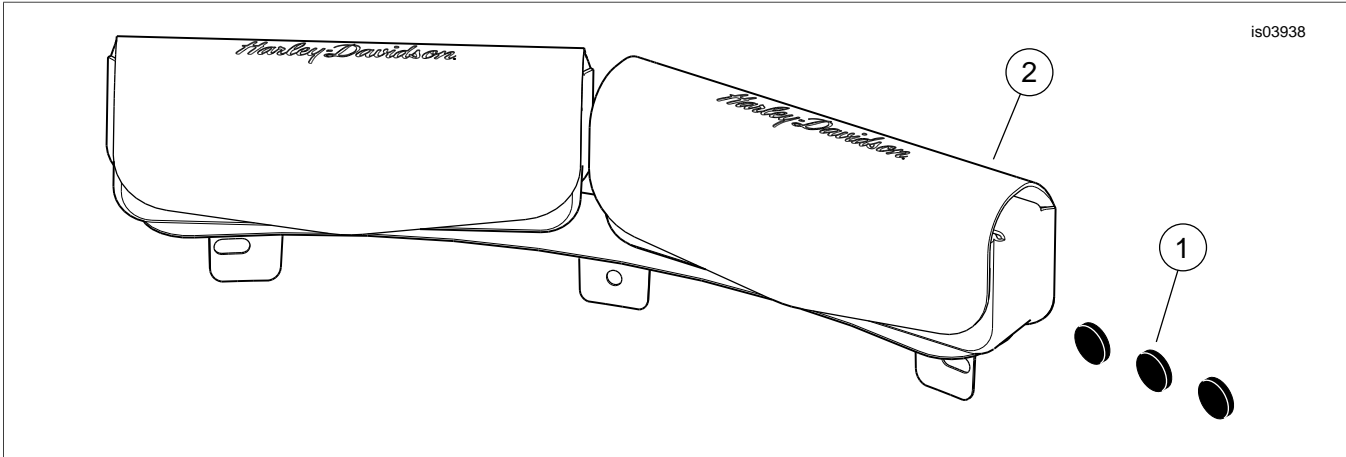


Figure 3. Service Parts, Multi-Pocket Windshield Pouch

Table 1. Service Parts Table

Item	Description (Quantity)	Part Number
1	Bumper, rubber, 1/2 inch (13 mm) diameter (4 in kit, 3 used this application)	Not sold separately
2	Multi-pocket windshield pouch	Not sold separately

