



# INSTRUCTIONS

-J03151

REV. 2006-01-13

## DETACHABLE WINDSHIELD FOR SOFTAIL MODELS

### GENERAL

#### Kit Number

57140-05, 57141-05, 57181-05, and 57243-05

#### Models

Table 1. Models

Kits	Contents
57243-05	Standard height, flamed, windshield
57140-05	Standard height, clear windshield
57141-05	Low profile, smoked windshield
57181-05	Standard height, smoked windshield

### CAUTION

Do not use windshield bags with flamed windshields. Damage to graphics will occur. (00393f)

### WARNING

The rider's safety depends upon the correct installation of this kit. If the procedure is not within your capabilities or you do not have the correct tools, have a Harley-Davidson dealer perform the installation. Improper installation of this kit could result in death or serious injury. (00308a)

#### Kit Contents

See Figure 4 and Table 2.

### INSTALLATION

#### NOTES

Place shop rags on the headlamp and front of the fuel tank to prevent scratches to headlamp and fuel tank. Be sure the windshield assembly does not contact chrome or painted parts. Contact will cause scratches to chrome or painted parts.

Spacers on the topmost screws will fall free when the screws are removed. Take care that the spacers do not strike the fuel tank or fender, damaging the finish.

1. Remove the original equipment windshield, if so equipped. Discard the windshield and attaching hardware.

#### NOTE

Before assembly, apply Loctite® 242 (blue) to screw threads that are threaded into the fork brackets.

#### For Models Without Passing Lamps:

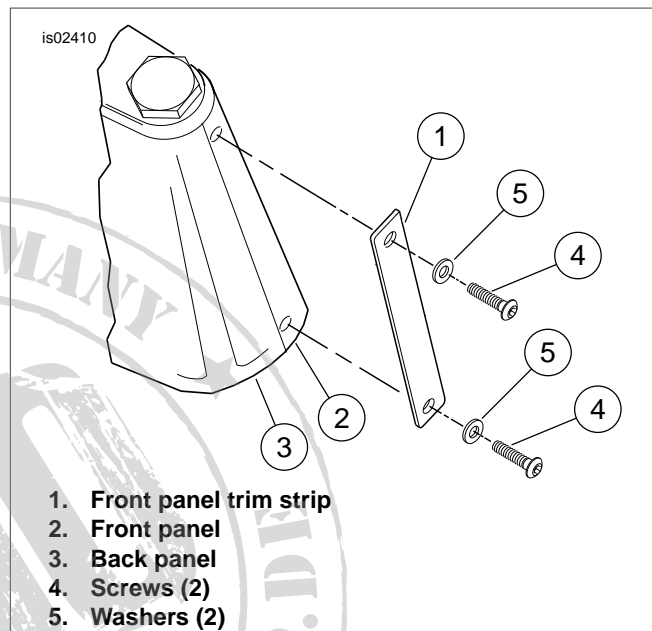
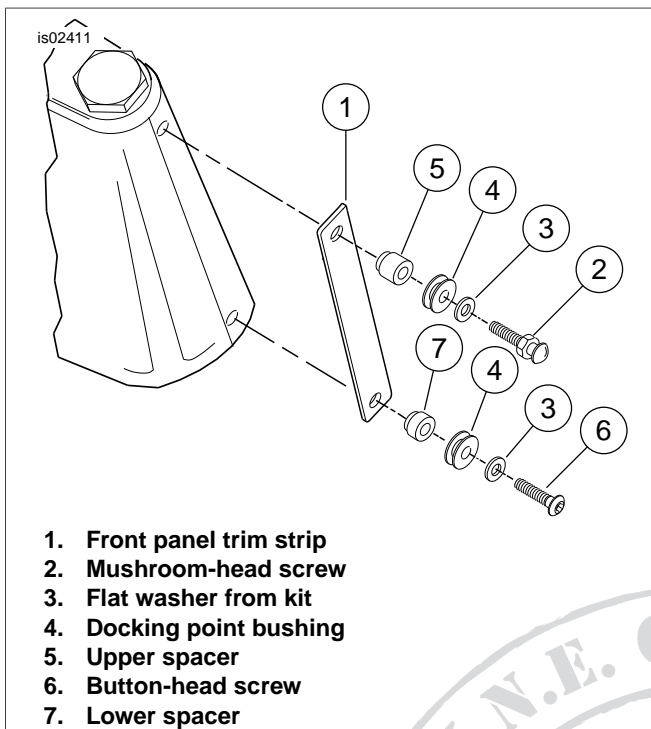


Figure 1. Front Panel Trim Strip Removal (Models Without Passing Lamps)

1. See Figure 1. Remove the two screws (4) and washers (5) holding the front panel trim strip (1) to the front (2) and back (3) panels. Retain the trim strip. The two screws and washers can be discarded.
2. See Figure 2. Select a mushroom head chrome screw (2) from the kit. Place a flat washer (3) over the screw threads, followed by a bushing (4). Place one of the thicker upper spacers (5) over the threads with the cutdown end away from the screw head.
3. Insert the threaded end of the screw into the upper hole in the front panel trim strip (1), and then into the upper hole in the front and back panels. Tighten screws finger tight.

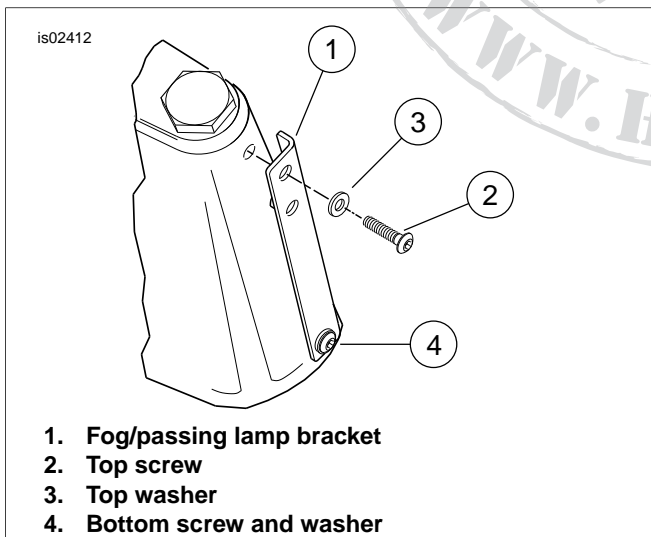


1. Front panel trim strip
2. Mushroom-head screw
3. Flat washer from kit
4. Docking point bushing
5. Upper spacer
6. Button-head screw
7. Lower spacer

**Figure 2. Front Panel Trim Strip and Windshield Dock Installation (Models Without Passing Lamps)**

4. Select a button head chrome screw (4) from the kit. Place a flat washer (3) over the screw threads, followed by a bushing (4). Place one of the thinner lower spacers (7) over the threads with the cut-down end away from the screw head.
5. Insert the threaded end of the screw into the lower hole in the front panel trim strip (1), and then into the lower hole in the front and back panels. Tighten only the lower screws to 96 in-lbs (10.8 Nm).
6. Repeat procedures 1 through 5 on the opposite side.

**For Models With Passing Lamps:**



1. Fog/passing lamp bracket
2. Top screw
3. Top washer
4. Bottom screw and washer

**Figure 3. Passing Lamp Bracket**

1. See Figure 3. Remove only the **top** screw (2) and washer (3) holding the fog/ passing lamp bracket (1) to the front and back panel. Keep the bottom screw and washer (4)

in place. The top screw can be discarded, but retain the washer.

2. See the Figure 4. Select a mushroom head chrome screw (2) from the kit. Place a flat washer (3) over the screw threads, followed by a bushing (4) and the flat washer (A) saved in Step 1.
3. Insert the threaded end of the screw into the upper hole in the passing lamp bracket, and then into the upper hole in the front and back panels. Tighten screws finger tight.
4. Remove the bottom screw and washer. The screw can be discarded, but retain the washer. Select a button head chrome screw (4) from the kit. Place a flat washer (3) over the screw threads, followed by a bushing (4) and the saved flat washer (A).
5. Insert the threaded end of the screw into the lower hole in the passing lamp bracket, and then into the lower hole in the front and back panels. Tighten the lower screws to 96 in-lbs (10.8 Nm).
6. Repeat procedures 1 through 5 on the opposite side.

**For ALL Models:**

1. Carefully lock the bottom windshield-assembly jaws into the grooves of the lower rubber docking bushings on each side of the front fork assembly.
2. Hook the top windshield-assembly jaws into the grooves of the upper rubber docking bushings.
3. Firmly press the windshield into place until it is seated on the docking bushings.
4. Tighten the upper screws to 96 in-lbs (10.8 Nm).

**WARNING**

**Improper installation of accessories or loading of cargo can affect motorcycle stability and handling, which could result in death or serious injury. (00455b)**

**WARNING**

**Failure to provide adequate clearance between stationary and moving parts can cause loss of control, which could result in death or serious injury. (00378a)**

**NOTE**

*Inspect windshield upon completion of installation. Be sure windshield mounting does not restrict full left or full right movement of front fork assembly. If restriction does occur, adjust windshield as needed until proper clearance is obtained. Have experienced Harley-Davidson service personnel correct any problems before riding with this accessory installed.*

**NOTE**

*Check mounting hardware periodically. Never ride with loose mounts. A loose mounting causes extra stress on all other mounts, as well as the windshield itself, and could result in premature failure of components.*

**REMOVING THE WINDSHIELD**

To remove the windshield, grab the windshield edges on each side of the center brace and firmly pull the windshield loose from the bushing grooves.

## CARE AND CLEANING

### NOTE

Sunlight reflections off of the inside curvature of a windshield can, at certain times of the day, cause extreme heat build-up on motorcycle instruments. Exercise care in parking. Park facing the sun, place an opaque object over the instruments, or adjust the windshield to avoid reflections.

### CAUTION

Harley-Davidson windshields are made of Lexan. Lexan is a more durable and distortion-resistant material than other types of motorcycle windshield material, but still requires attention and care to maintain. Failure to maintain Lexan properly can result in damage to the windshield. (00230a)

### CAUTION

Do not use harsh chemicals including rain sheeting products on Harley-Davidson windshields. They can cause dulling or hazing. If you want to use a windshield protectant on your windshield, try Harley Glaze Polish and Sealant (00231a)

### CAUTION

Do not use benzine, paint thinner, gasoline or any other type of harsh cleaner on the windshield. Doing so will damage the windshield surface. (00232a)

Do not clean Lexan® polycarbonate in hot sun or high temperature. Powdered, abrasive or alkaline cleanser will damage the windshield. Never scrape the windshield with a razor blade or other sharp instruments because permanent damage will result.

### NOTES

Covering the windshield with a clean, wet cloth for about 15 minutes before washing will make dried bug removal easier.

Harley-Davidson Windshield Water Repellent Treatment Part Number 99841-01 is approved for use on Harley-Davidson Lexan® windshields.

## SERVICE PARTS

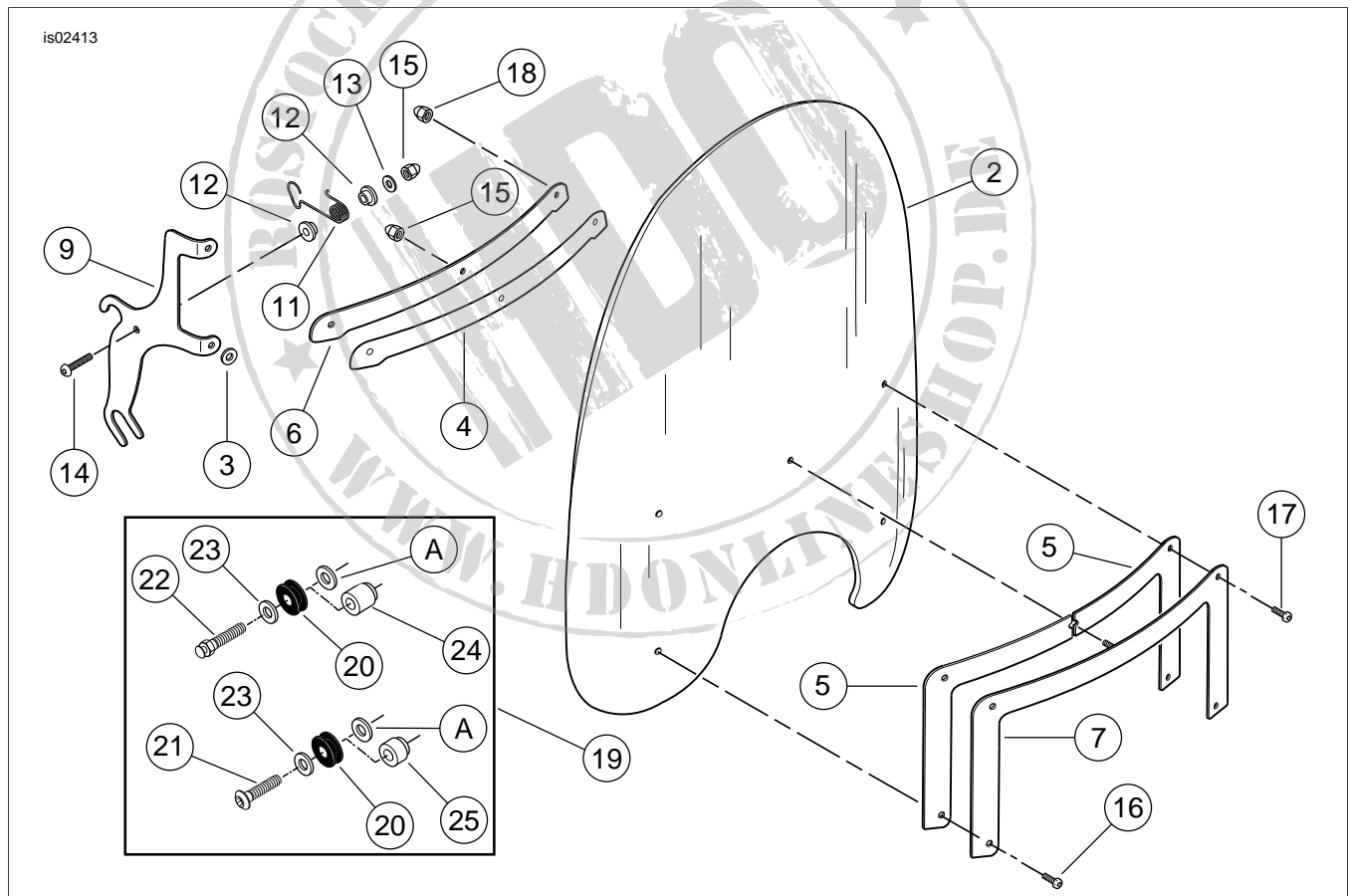


Figure 4. Service Parts: Detachable Windshield

**Table 2. Service Parts: Detachable Windshield**

Item	Description (Quantity)	Part Number	Item	Description (Quantity)	Part Number
1	Windshield service kit (includes items 2 through 5)		13	Flat washer, 1/4 inch, silver (2)	6703
	Standard height, clear	57142-05	14	Screw, button head, chrome, 1/4-20 x 1-1/4 inch (2)	94426-95
	Low profile, smoked	57143-05	15	Acorn nut, 1/4-20 (chrome) (3)	94004-90T
	Standard height, smoked	57182-05	16	Screw, button head, chrome, 5/16-24 x 5/8 inch (2)	94468-94T
	Standard height, flamed	57245-05	17	Screw, button head, chrome, 5/16-24 x 3/4 inch (2)	94639-99
2	Windshield	Not Sold Separately	18	Acorn nut, 5/16-24 (chrome) (4)	94007-90T
3	Rubber washer, 1/4 inch ID (2)	57964-97	19	Detachable windshield hardware kit (includes items 20 through 25)	57184-05
4	Gasket, inner windshield brace	Not Sold Separately	20	Bushing (4)	67621-94
5	Gasket, outer windshield brace (2)	Not Sold Separately	21	Screw, button head, 5/16-24 x 1-3/8 inch, Grade 8, chrome (2)	4513
6	Brace, inner windshield	Not Sold Separately	22	Screw, hex head with mushroom pin, 5/16-24 x 1.69 inch (2)	3044
7	Brace assembly, outer windshield (with medallion)	Not Sold Separately	23	Flat washer, 5/16, chrome (4)	94066-90T
8	Windshield bracket (left) (not shown)	Not Sold Separately	24	Spacer, upper (2)	5851
9	Windshield bracket (right)	Not Sold Separately	25	Spacer, lower (2)	5852
10	Windshield retainer (left) (not shown)	58579-96A	Original equipment:		
11	Windshield retainer (right)	58580-96A	A	Flat washer	
12	Nylon bushing (4)	58272-95			