



INSTRUCTIONS

-J05776

2014-09-04

LOWER BELT GUARD

GENERAL

Kit Number

57100226, 57100297

Models

For model fitment information, see the P&A Retail Catalog or the Parts and Accessories section of www.harley-davidson.com (English only).

Kit Contents

There are no Service Parts available with this kit.

INSTALLATION

⚠ WARNING

To prevent accidental vehicle start-up, which could cause death or serious injury, remove main fuse before proceeding. (00251b)

1. Refer to the owner's manual and follow the instructions given to remove the main fuse.
2. See Figure 1. Remove the three screws (3) and retain for installation. Remove and discard the lower belt guard.
3. Align the slotted holes in the new belt guard with the holes in the fork. Insert the three saved screws and adjust to desired position. Tighten the screws to 4.1–6.8 N·m (36–60 in-lbs).
4. Verify that the Ignition/Light Key Switch is turned to OFF. Refer to the owner's manual to install main fuse.

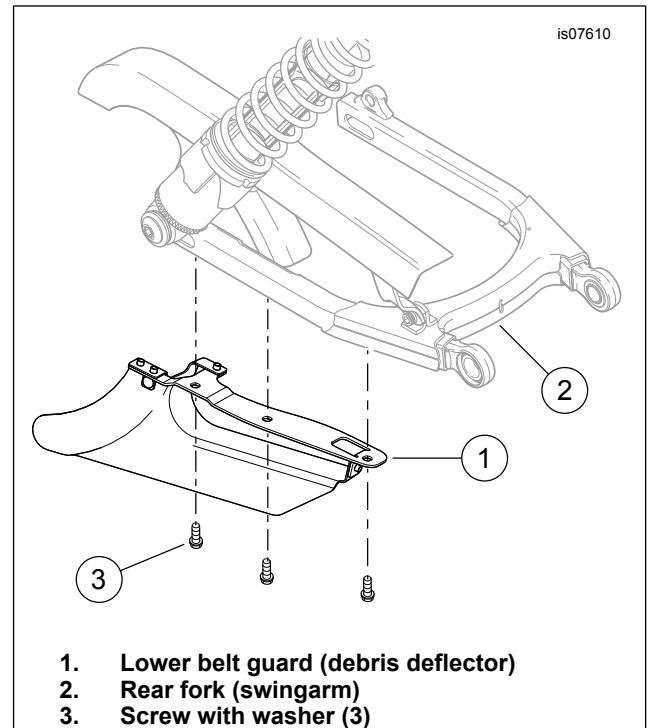


Figure 1. Lower Belt Guard Installation