



# INSTRUCTIONS

-J05388

REV. 2011-06-03

## QUICK FLAP MAGNETIC DOOR

### GENERAL

#### Kit Number

57100198

#### Additional Parts Required

Proper installation requires Loctite® 243 Blue Threadlocker and Sealant (Part No. 99642-97)

#### Models

For model fitment information, see the P&A Retail Catalog or the Parts and Accessories section of [www.harley-davidson.com](http://www.harley-davidson.com) (English only).

#### Kit Contents

See Figure 1 and Table 1.

### INSTALLATION

1. Remove the door assemblies from the glove boxes. Use a pair of pliers to remove the four push pins in each of the glove boxes. When assembled, the glove box doors will open from the top.
2. See Figure 1 and Table 1. Insert the button head screws (1) through the lower holes of the door.
3. Install the spacers (4) to the back side of the door and insert the assembly to the glove box.
4. Install the washers (5) and hex nuts (6) to the screws (1) and tighten screws. Be careful not to distort the front of the flap by over-tightening the screw.

#### NOTE

*In Step 5, use a small amount of Loctite on the screw threads during assembly.*

5. Insert the small screws (7) through the holes in the magnets. Insert the assembly through front of the holes at the top of the glove box.
6. Install the small hex nuts to the screws and tighten.

7. Repeat all steps for the opposite glove box.

### SERVICE PARTS

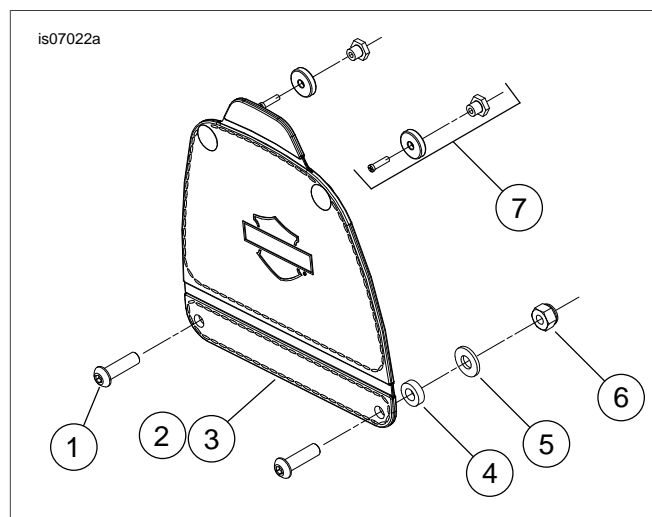


Figure 1. Service Parts: Quick Flap Magnetic Door

Table 1. Service Parts Table

Item	Description (Quantity)	Part Number
1	Button head hex screw, black, .250 - .20 UNC x .875 (4)	10200138
2	Magnetic door assembly, left (not shown)	Not Sold Separately
3	Magnetic door assembly, right	Not Sold Separately
4	Magnetic door spacer (4)	Not Sold Separately
5	Plain washer, type A (4)	6703
6	Lock nut, nylon insert (4)	7686
7	Kit, magnetic snap, black (4)	12600047