



INSTRUCTIONS

-J05773

2013-08-15

INNER FAIRING KIT

GENERAL

Kit Number

57000387xxx, 57000388xxx, 57000389xxx, 57000398, 57000399, 57000400

Models

For model fitment information, see the P&A Retail Catalog or the Parts and Accessories section of www.harley-davidson.com (English only).

Service Manual Required

▲ WARNING

The rider's safety depends upon the correct installation of this kit. Use the appropriate service manual procedures. If the procedure is not within your capabilities or you do not have the correct tools, have a Harley-Davidson dealer perform the installation. Improper installation of this kit could result in death or serious injury. (00333a)

NOTE

This instruction sheet references Service Manual information. A service manual for your model motorcycle is required for this installation and is available from a Harley-Davidson dealer.

Kit Contents

See Figure 3 and Table 1.

INSTALLATION

1. **Unpainted kits:** See Figure 1. After painting, install foam tape pieces to inner surface around radio opening:
 - a. Install upper foam (1) touching guide ribs (4).
 - b. Install side foam pieces (2) as shown.
 - c. Install lower foam (3) at guide lines (5).

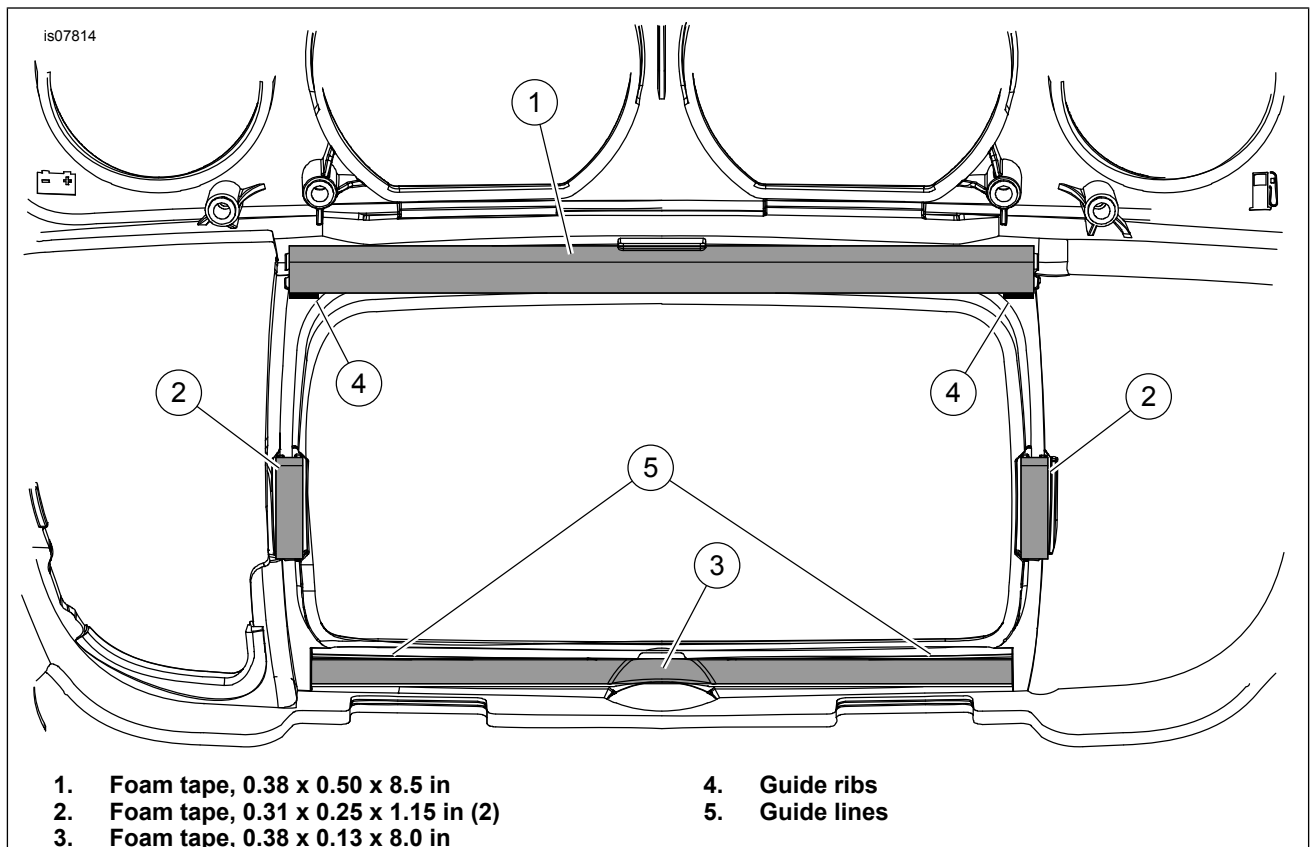


Figure 1. Foam Tape Locations: Inner Fairing

NOTE

- Label mirror location prior to removal to ease installation.
- **FLHX/S models:** See Figure 2. The letters "L" or "R" are stamped on the backing plate and inner fairing to identify mirror location.

2. Remove the inner fairing. See INNER FAIRING, Inner Fairing Assembly Removal and Installation in the service manual.

3. Transfer all components from the original inner fairing. See INNER FAIRING, Inner Fairing Shell Replacement in the service manual.

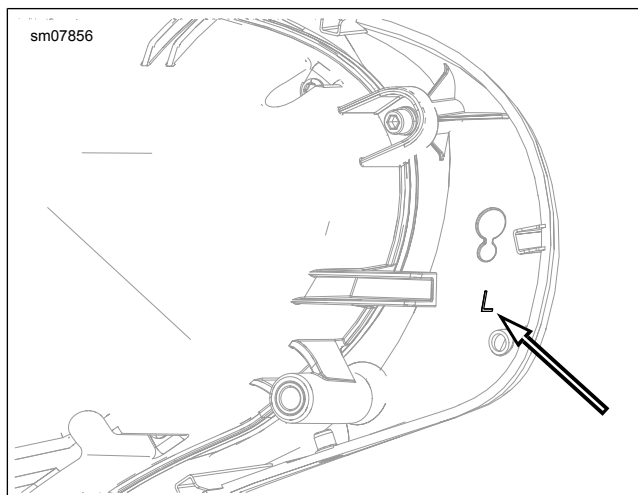


Figure 2. Mirror Location Mark

4. See Figure 3. Install **new** cover (4) and gasket (5) on media compartment door. See INNER FAIRING, Media Compartment in the service manual.

5. Transfer switch modules to the **new** dash panel (6). See DASH PANEL SWITCHES in the service manual.

6. **FLHX/S models:** Install three plugs (7) on each side.

7. Install the inner fairing, outer fairing and windshield. See INNER FAIRING, Inner Fairing Assembly Removal and Installation in the service manual.

8. Adjust the mirrors for proper field of vision and compliance with local regulations.

SERVICE PARTS

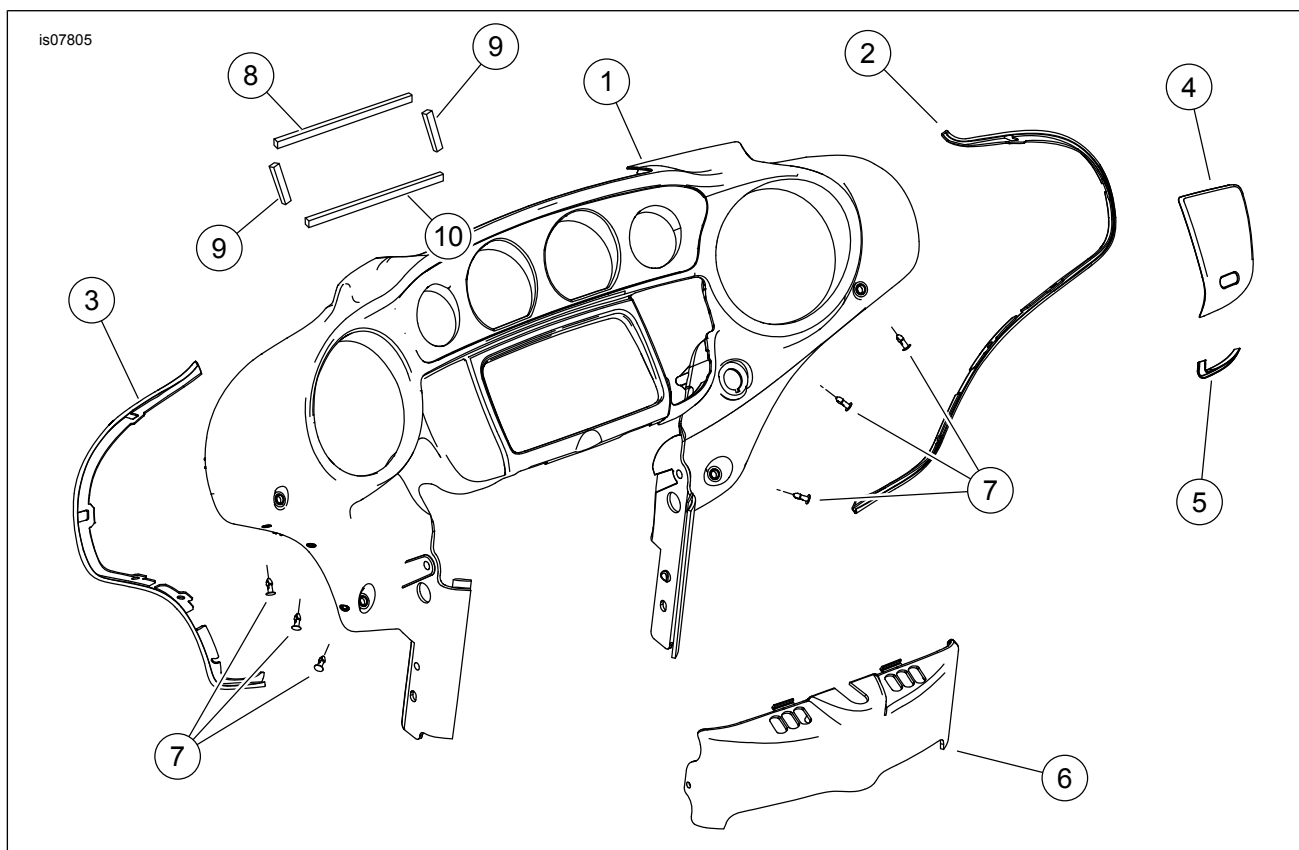


Figure 3. Service Parts: Inner Fairing Kit

Table 1. Service Parts Table

Item	Description (Quantity)	Part Number
1	Inner fairing	not serviced separately
2	Edge trim, right	61400064
3	Edge trim, left	61400063
4	Cover, media compartment door, painted (Kits 57000387xxx, 57000388xxx, 57000389xxx)	76000409xxx
	Cover, media compartment door, unpainted (Kits 57000398, 57000399, 57000400)	76000110
5	Gasket, media compartment door	76000234
6	Dash panel, painted (Kits 57000387xxx, 57000388xxx, 57000389xxx)	70900392xxx
	Dash panel, unpainted (Kits 57000398, 57000399, 57000400)	70900137
7	Plug (6) (Kits 57000400, 57000389xxx)	12100034
8	Foam tape, 0.38 x 0.50 x 8.5 in	11100050

Table 1. Service Parts Table

Item	Description (Quantity)	Part Number
9	Foam tape, 0.31 x 0.25 x 1.15 in (2)	11100057
10	Foam tape, 0.38 x 0.13 x 8.0 in	11100051