



INSTRUCTIONS

-J03574

REV. 2007-04-25

BOBTAIL FENDER RACK

GENERAL

Kit Number

56802-06

Models

For model fitment information, please see the P&A Retail Catalog or the Parts and Accessories section of www.harley-davidson.com (English only).

Kit Contents

See Figure 3 and Table 1.

INSTALLATION

Prepare the Motorcycle

NOTE

Cover fender with clean shop towels to prevent scratching of the fender.

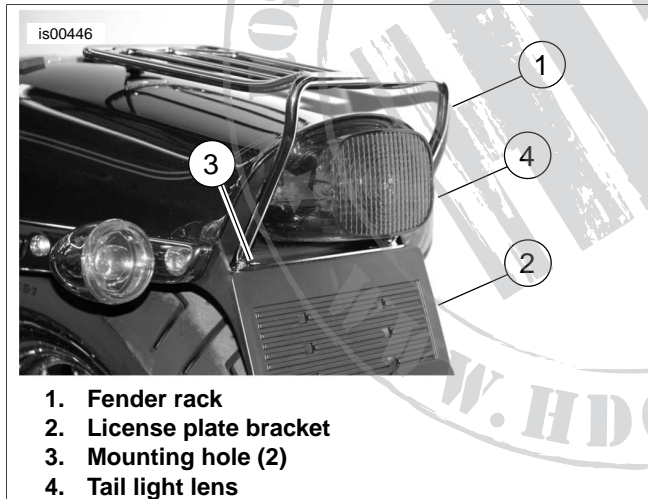


Figure 1. Bobtail Fender Rack

1. Vehicle equipped with an accessory seat:

- If a two-up seat is installed, remove the seat (method will vary depending on seat style). Remove the seat retention nut and retainer from the rear fender and discard.
 - If a solo seat is installed, remove the plug, or the seat retention nut and retainer in the top of the rear fender if they are present, and discard.
2. If the vehicle is equipped with a stock seat, refer to the Owner's Manual to remove it and discard all the seat fastening hardware including the seat tab retainer and clip.
 3. **2006 - 2007 Models:** See Figure 1. Remove two screws from tail light lens (4) and remove lens to prevent any

damage to the lens when drilling the fender rack mounting holes.

4. Place the fender rack into position as follows:

- a. Hold the rack portion vertical and slide the rear mounting base onto the flat license plate bracket.
- b. Tilt the rack forward until the front mounting tab is centered over the seat retention nut hole.
- c. Center rear mounting base on license plate bracket.

5. Mark the position of the two rack mounting holes (3) on the license bracket.

6. Remove the fender rack and drill two small pilot holes in the marked locations.

7. From the underside of the license plate bracket, enlarge the two holes to 5/16 inch diameter.

8. Proceed to "Install Chrome Fender Rack - All Models" section.

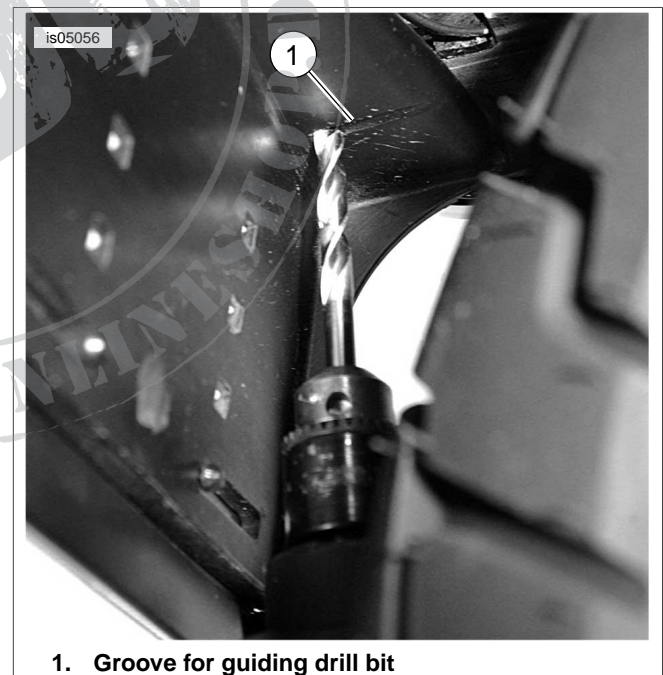


Figure 2. Tail Light / License Plate Bracket

1. **2008 and later models:** See Figure 1. Remove two screws from tail light (4) lens and remove lens to prevent any damage to the lens when drilling the fender rack mounting holes.

2. See Figure 2 From the underside of the license plate bracket use a 5/16 inch drill bit to drill the fender rack mounting holes at the rearward end of the grooves (1) on the underside of the license plate bracket.

Install Chrome Fender Rack - All Models

1. See Figure 3 and Table 1. Install protective tape (8) on outside of rear fender, surrounding the hole. Place seat tab spacer (7) over tape and washer (4) if installing a two-up FXDF seat or solo seat.

NOTE

The seat tab retainer (9) does not use the stock clip to hold it in place. You may want to use tape on the underside of the fender to hold it in position.

2. Reach from the rear and insert the seat tab retainer (9) into the hole in the fender from the underside, lining up the tab with the notch in the hole.
3. **If a two-up seat is installed**, reinstall the seat but do not install the mounting screw.
4. Position the luggage rack on the license plate bracket.
5. Lower front mounting tab of rack over the seat rear retaining tab (9), spacer washer (7) and washer (4) (FXDF or solo seat). Place the chrome flat washer (2) over the front rack mounting tab. The FXDWG does not use washer (4).

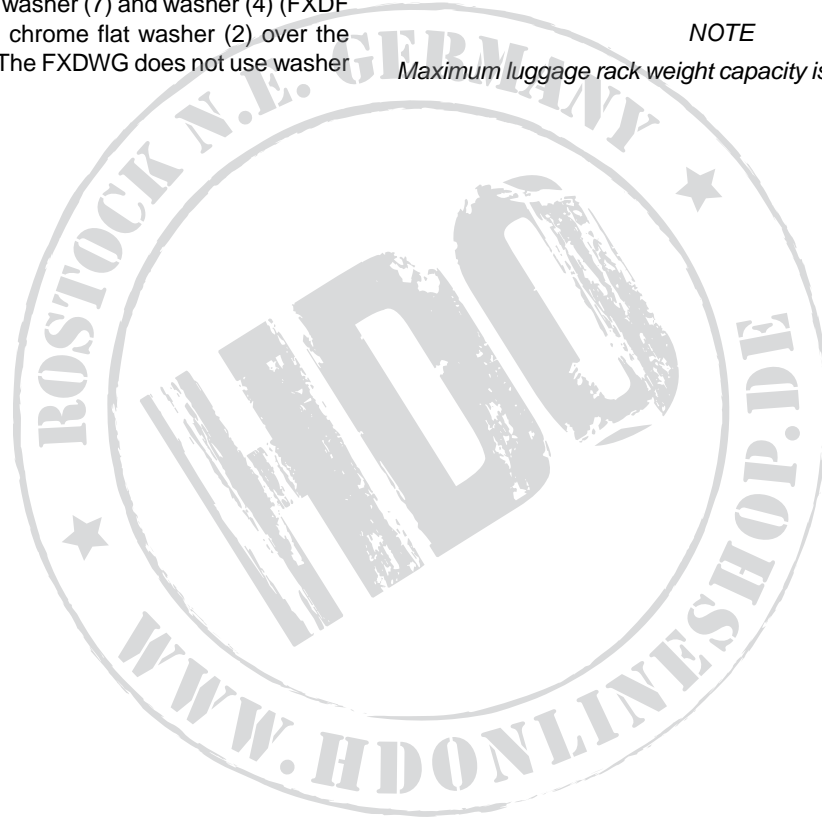
6. Insert the chrome socket head screw (10) through the chrome washer, the rack front tab, and the spacer or seat tab. Thread the screw into the retainer, but do not tighten.
7. Insert two button head screws (6) through rear rack mounting holes and the holes in the license plate bracket. Position the flat washers (3) and nuts (5) onto the screws from the underside, and tighten to 14 **in-lbs** (2 Nm).
8. Secure the rack to the seat retention nut with the socket head screw. Tighten to 12 ft-lbs (16.3 Nm).
9. Reinstall tail light lens with two screws.
10. Remove the protective shop towels.

WARNING

Do not exceed luggage rack weight capacity. Too much weight can cause loss of control, which could result in death or serious injury. (00373a)

NOTE

Maximum luggage rack weight capacity is ten pounds (4.5 Kg).



SERVICE PARTS

is05054

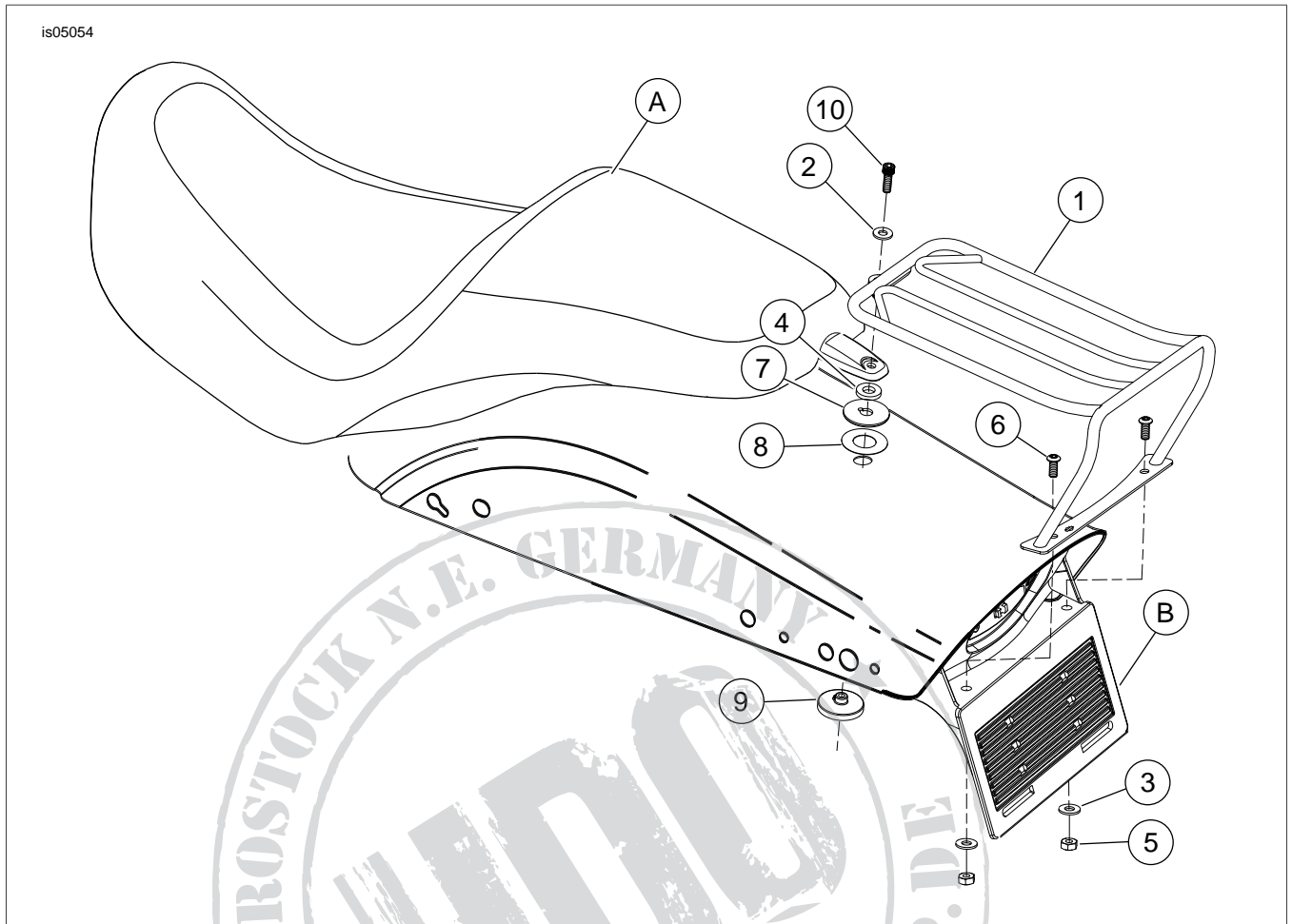


Figure 3. Service Parts: Bobtail Fender Rack

Table 1.

Item	Description (Quantity)	Part Number
1	Bobtail fender rack	Not Sold Separately
2	Washer, plain	6339
3	Washer, plain (2)	6703
4	Washer (FXDF only)	6397B
5	Nut, hex (2)	7688
6	Screw, button head (2)	94385-92T
7	Spacer, seat tab	Not Sold Separately
8	Tape, protective	Not Sold Separately
9	Retainer, seat tab	Not Sold Separately
10	Screw, socket head	94312-91T
Items mentioned in text, but not included in kit:		
A	Seat (FXDF seat shown)	
B	Tail light / license plate bracket	