



# INSTRUCTIONS

-J06098

2014-10-22

## HANDLEBAR RISER SPACER KIT - XL1200X

### GENERAL

#### Kit Number

55900074

#### Models

For model fitment information, see the P&A Retail Catalog or the Parts and Accessories section of [www.harley-davidson.com](http://www.harley-davidson.com) (English only).

### Installation Requirements

**Separate purchase** of additional parts or accessories is required for proper installation. Refer to the latest Harley-Davidson Genuine Motor Accessories and Genuine Motor Parts catalog.

Ask a Harley-Davidson dealer about the selection of Genuine Motor Accessory hand grips that are available.

#### ⚠ WARNING

The rider's safety depends upon the correct installation of this kit. Use the appropriate service manual procedures. If the procedure is not within your capabilities or you do not have the correct tools, have a Harley-Davidson dealer perform the installation. Improper installation of this kit could result in death or serious injury. (00333a)

#### NOTE

*This instruction sheet references service manual information. A service manual for your model motorcycle is required for this installation and is available from a Harley-Davidson Dealer.*

### Kit Contents

See Figure 1 and Table 1.

### REMOVAL

#### ⚠ WARNING

To prevent accidental vehicle start-up, which could cause death or serious injury, remove main fuse before proceeding. (00251b)

1. Remove main fuse. See the service manual.
2. Remove the original equipment (OE) handlebar, clutch and throttle/idle cables and front brake lines. See the service manual.

### INSTALLATION

#### NOTE

*Handlebar spacers are side-specific. Make sure to locate the spaces in the proper location.*

*When installing the handlebar, make sure that there is adequate clearance between the handlebar and the fuel tank.*

1. See Figure 1. Install handlebar riser spacers (1 and 2) to the upper fork clamp in the handlebar mounting locations.
2. See the service manual. Install the new handlebar in the same manner as the OE handlebar replacing the clamp screws with the clamp screws (3) included in this kit.

#### NOTE

*Route throttle/idle cables to the rear of the front forks.*

3. Install the **new** clutch cables, throttle/idle cables and front brake lines. Follow the instruction sheets included in those kits.
4. Install the hand controls. See the service manual.
5. Install hand grips. Follow the instructions included in that kit.

### SAFETY CHECK

#### ⚠ WARNING

**Be sure that steering is smooth and free without interference. Interference with steering could result in loss of vehicle control and death or serious injury. (00371a)**

- Make sure throttle/idle control cables do not pull tight when handlebars are turned fully to left or right fork stops.
1. Verify that wires, clutch cables, throttle/idle cables and brake lines do not pull tight when handlebars are turned fully to left or right fork stops.
  2. Verify that there is adequate clearance between the handlebar and the fuel tank when the handlebars are turned to the left and right stops.
  3. Verify that the ignition switch is turned to OFF.
  4. Install the main fuse. See the service manual.

#### ⚠ WARNING

**Be sure that all lights and switches operate properly before operating motorcycle. Low visibility of rider can result in death or serious injury. (00316a)**

5. Turn the ignition switch to IGNITION, but do not start the engine. Test all switches and lights for proper operation.

#### ⚠ WARNING

**Before starting engine, be sure throttle control will snap back to idle position when released. A throttle control that prevents engine from automatically returning to idle can lead to loss of control, which could result in death or serious injury. (00390a)**



# SERVICE PARTS

is08486

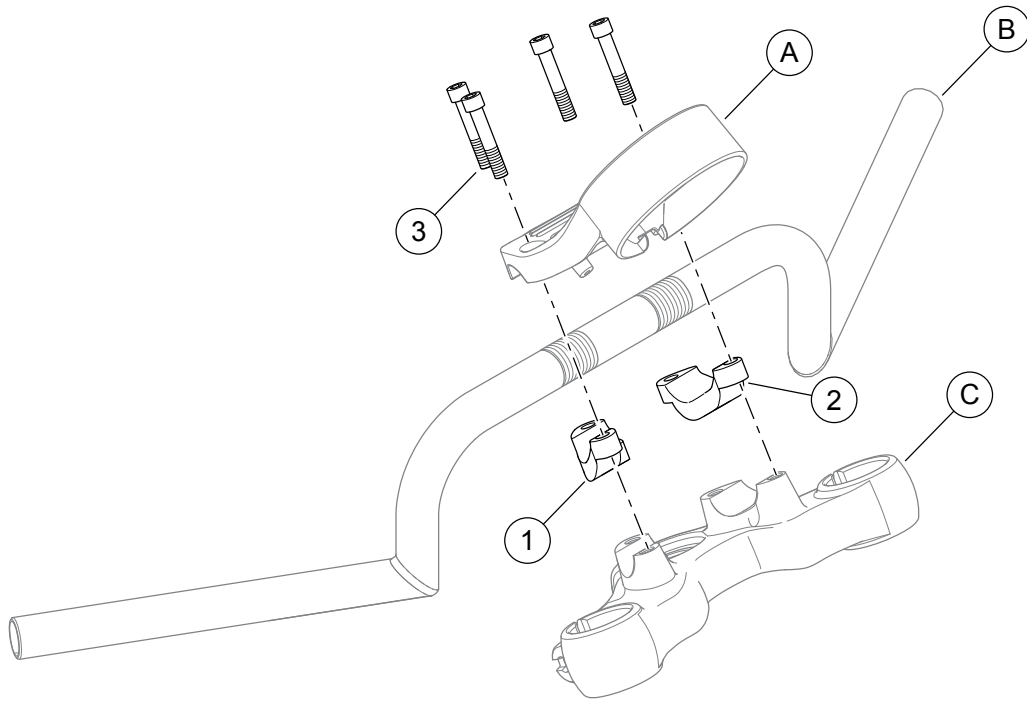


Figure 1. Service Parts: Handlebar Riser Spacer Kit - XL1200X

Table 1. Service Parts Table

Item	Description (Quantity)	Part Number
1	Spacer, right	Not Sold Separately
2	Spacer, left	Not Sold Separately
3	Clamp screw (4)	3485A
<b>Items mentioned in text, but not included in kit:</b>		
A	Speedometer bracket	
B	Clubman handlebar	
C	Upper fork clamp	