



# INSTRUCTIONS

-J06060

2014-10-14

## CLUBMAN HANDLEBAR FOR XL MODELS

### GENERAL

#### Kit Number

55800341, 55800342

#### Models

For model fitment information, see the P&A Retail Catalog or the Parts and Accessories section of [www.harley-davidson.com](http://www.harley-davidson.com) (English only).

#### Installation Requirements

**Separate purchase** of additional parts or accessories is required for proper installation of this handlebar kit on your model motorcycle. Refer to the latest Harley-Davidson Genuine Motor Accessories and Genuine Motor Parts catalog for a list of required parts or accessories for your model.

**XL1200X Models:** Installation of this kit requires separate purchase and installation of Handlebar Riser Spacer Kit (55900074) and Front Turn Signal Relocation Kit (68700452 or 67800489).

Proper installation requires fresh, uncontaminated brake fluid. Refer to the owner's manual or the service manual to determine the correct brake fluid.

#### ⚠ WARNING

**Replace brake line gaskets. Re-using original gaskets can cause brake failure and loss of vehicle control, which could result in death or serious injury. (00318a)**

Motorcycles equipped with a **glued** left side hand grip require a new grip, sold separately. Refer to the Parts Catalog for replacement stock hand grips.

Ask a Harley-Davidson dealer about the selection of Genuine Motor Accessory hand grips that are available.

#### ⚠ WARNING

**The rider's safety depends upon the correct installation of this kit. Use the appropriate service manual procedures. If the procedure is not within your capabilities or you do not have the correct tools, have a Harley-Davidson dealer perform the installation. Improper installation of this kit could result in death or serious injury. (00333a)**

#### NOTE

*This instruction sheet references service manual information. A service manual for your model motorcycle is required for this installation and is available from a Harley-Davidson Dealer.*

#### Kit Contents

See Figure 1 and Table 1.

### REMOVAL

#### ⚠ WARNING

**To prevent accidental vehicle start-up, which could cause death or serious injury, remove main fuse before proceeding. (00251b)**

1. Remove main fuse. See the service manual.
2. Remove the original equipment (OE) handlebar, clutch and throttle/idle cables and front brake lines. See the service manual.

### INSTALLATION

1. **XL1200X:** Install Front Turn Signal Relocation Kit (68700452 or 67800489). See the instructions in that kit.

#### NOTE

*When installing the handlebar, make sure that there is adequate clearance between the handlebar and the fuel tank.*

2. The new handlebar installs in the same manner as the OE handlebar. See the service manual and install the new handlebar according to those instructions. **XL1200X Models:** Install Handlebar Riser Spacer Kit (55900074) and new handlebar. Follow the instructions included in that kit.

#### NOTE

*Route throttle/idle cables to the rear of the front forks.*

3. Install the **new** clutch cables, throttle/idle cables and front brake lines. Follow the instruction sheets included in those kits.

#### NOTE

*When routing and securing control wires, make sure that wires do not pull tight at either steer stop.*

4. Install the left and right hand controls. See the service manual.
5. Install hand grips. Follow the instructions included in that kit.

### SAFETY CHECK

#### ⚠ WARNING

**Be sure that steering is smooth and free without interference. Interference with steering could result in loss of vehicle control and death or serious injury. (00371a)**

- Make sure throttle/idle control cables do not pull tight when handlebars are turned fully to left or right fork stops.
1. Verify that wires, clutch cables, throttle/idle cables and brake lines do not pull tight when handlebars are turned fully to left or right fork stops.



2. Verify that there is adequate clearance between the handlebar and the fuel tank when the handlebars are turned to the left and right stops.
3. Verify that the ignition switch is turned to OFF.
4. Install the main fuse. See the service manual.

**▲ WARNING**

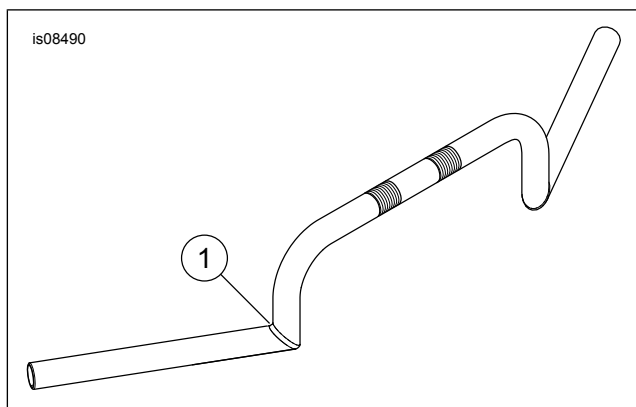
**Be sure that all lights and switches operate properly before operating motorcycle. Low visibility of rider can result in death or serious injury. (00316a)**

5. Turn the ignition switch to IGNITION, but do not start the engine. Test all switches and lights for proper operation.

**▲ WARNING**

**Before starting engine, be sure throttle control will snap back to idle position when released. A throttle control that prevents engine from automatically returning to idle can lead to loss of control, which could result in death or serious injury. (00390a)**

**SERVICE PARTS**



**Figure 1. Service Parts: Clubman Handlebar for XL Models**

**Table 1. Service Parts**

Item	Description (Quantity)	Part Number
1	Clubman handlebar, chrome	55800341
	Clubman handlebar, black	55800342