



INSTRUCTIONS

-J04754

REV. 2008-04-22

TOURING LOW PROFILE REAR SUSPENSION KIT

GENERAL

Kit Number

54635-09

Models

For model fitment information, please see the P&A Retail Catalog or the Parts and Accessories section of www.harley-davidson.com (English only).

WARNING

The rider's safety depends upon the correct installation of this kit. Use the appropriate service manual procedures. If the procedure is not within your capabilities or you do not have the correct tools, have a Harley-Davidson dealer perform the installation. Improper installation of this kit could result in death or serious injury. (00333a)

NOTE

This instruction sheet references Service Manual information. A Service Manual for your model motorcycle is required for this installation and is available from a Harley-Davidson Dealer.

Additional Parts Required

This kit requires the separate purchase of air pump part number 54630-03A. This part is available for purchase from any Harley-Davidson Dealer.

This kit requires LOCTITE® 243 (blue) (99642-97) for proper installation.

Kit Contents

See Figure 4 and Table 2.

INSTALLATION

1. Refer to the Service Manual and follow the instructions given to remove the seat.

WARNING

Perform this installation when the engine is cool. Working on or near the exhaust system when the engine is hot could result in severe burns. (00311a)

WARNING

Installation of any accessory suspension components can affect cornering clearance. This could distract the rider, causing loss of control and death or serious injury. (00431b)

2. Disconnect the battery cables, negative cable first or remove the main fuse if equipped.

3. Raise the rear end of the motorcycle so that the rear wheel is just off the ground. Support the motorcycle with suitable blocking under the frame.

NOTE

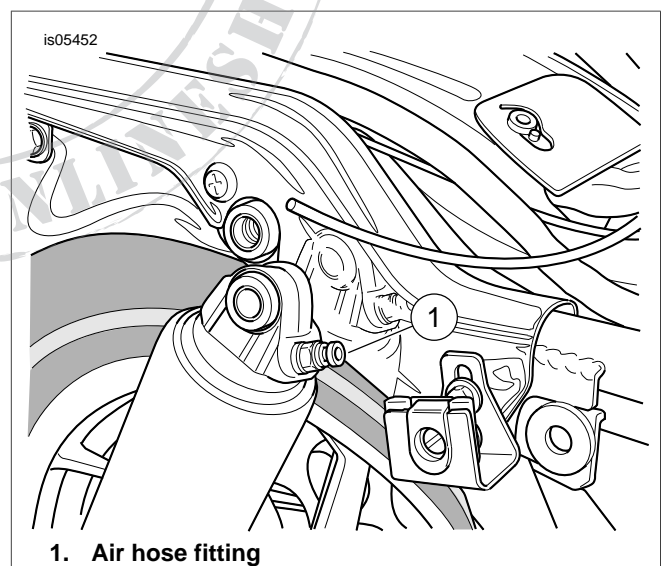
Retain the original fasteners for installation of new shocks.

4. Remove the saddlebags from the motorcycle. See the Touring model's Owner's Manual for saddlebag removal.
5. Fasten the air pump, part number 54630-03A to the rear air suspension adjustment valve on the motorcycle. See the Touring model's owner's manual for valve location. Add 3-5 psi to clear the line but do **NOT** exceed 50 psi.
6. Using the pressure relief valve located below the gauge on the pump, release the air pressure from the rear suspension.

WARNING

Use caution when bleeding air from the suspension. Moisture combined with lubricant may leak onto the rear wheel, tire and/or brake components and adversely affect traction, which could result in death or serious injury. (00084a)

7. See Figure 1 and Figure 2. Remove the air hoses from the shock absorber air hose fittings.



1. Air hose fitting

Figure 1. Rear Shock Absorber

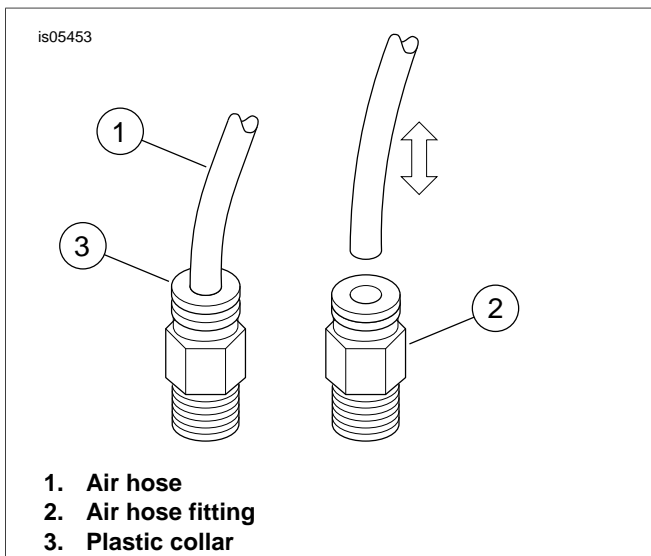


Figure 2. Air Hose Removal and Installation

NOTE

Press the plastic collar down on the air hose fitting to remove and install the air hose.

8. Remove the air hose fittings from the shock absorbers. Save the fittings for installation on the new shocks.

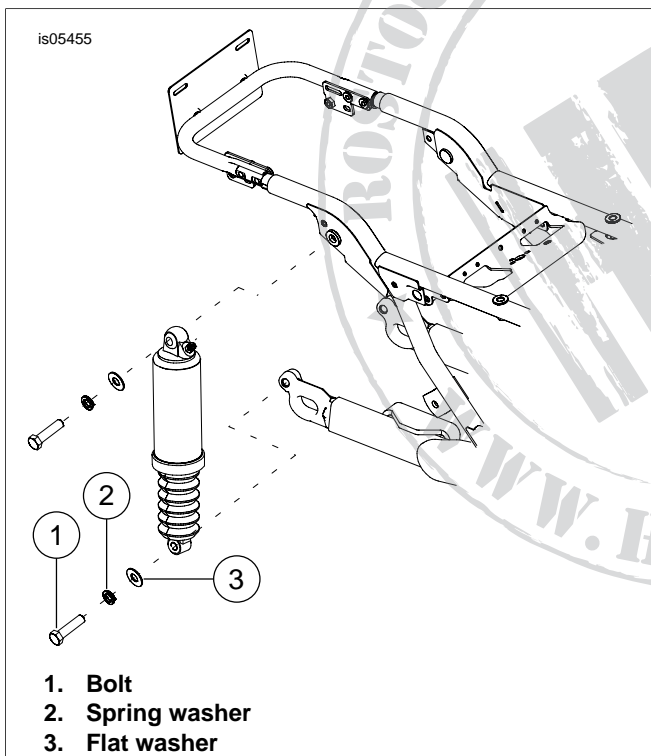


Figure 3. Removing Rear Shock Absorber

NOTE

Air suspension shock absorbers are oil filled and must be kept upright at all times to prevent oil leakage.

9. See Figure 3. Remove the lower mounting bolts (1), spring washers (2) and flat washers (3) from the shock absorbers.
10. Remove the upper mounting bolts and washers from the shock absorbers.

11. Apply teflon tape or thread sealant to the air hose fittings removed in step 7.
12. Replace the plugs in the new shock absorbers with the air hose fittings removed in step 7. Tighten the fittings until they are snug in the shock absorbers.
13. Install the plugs removed from new shocks (in Step 11) into old shocks to prevent oil loss.
14. Install the washers removed in step 9 onto the upper shock bolts and push the bolts through the shock upper bushings. Apply two or three drops of Loctite 243 (blue) to the exposed threads of the upper shock-mounting bolt.
15. Fasten the top of the new shocks to the frame. Tighten the upper shock bolts to 35-40 ft-lbs (47-54.2 Nm).
16. Install the washers removed in step 8 onto the lower shock bolts and push the bolts through the shock lower bushings. Apply two or three drops of Loctite 243 (blue) to the exposed threads of the lower shock mounting bolt.
17. Fasten the bottom of the new shocks to the swingarm. Tighten the lower shock bolts to 35-40 ft-lbs (47-54 Nm).
18. Fasten the air hoses, removed in step 6, to the air hose fittings on the new shocks.

CAUTION

Wipe all fingerprints off of exhaust system components after installation and before starting engine. Oil from hands can leave permanent marks on exhaust system finish. (00346a)

CAUTION

Do not exceed maximum air pressure for rear suspension. Air components fill rapidly. Therefore, use low air line pressure. Failure to do so may result in possible damage to components. (00165a)

19. Fasten the shock absorber air pump to the rear air suspension adjustment valve. Pressurize the rear air suspension system to check for air leaks. Adjust air pressure for rider comfort and to accommodate changing load conditions. Do not exceed 50 psi (241 kPa).
20. Install the saddlebags.
21. Reconnect battery cables to battery, positive (+) cable first or main fuse if removed.

WARNING

After installing seat, pull upward on seat to be sure it is locked in position. While riding, a loose seat can shift causing loss of control, which could result in death or serious injury. (00070b)

22. Install the seat.

Table 1. Touring Suspension Recommended Air Pressure

SHOCK LOAD	TOTAL WEIGHT		PRESSURE	
	LB.	KG	PSI	kPa
Solo Rider	up to 150	up to 68	0	0
	150-200	68-91	0-10	0-69
	200-250	91-113	10-20	69-138
	250-300	113-136	20-30	138-206
	over 300	over 136	30-50	206-345
Solo rider with capacity luggage of 40 lbs (18 kg)	up to 150	up to 68	10-20	69-138
	150-200	68-91	20-30	138-206
	200-250	91-113	30-40	206-276
	250-300	113-136	40-50	276-345
	over 300	over 136	50	345
Rider plus passenger	All	All	40-50	276-345
Maximum GVWR	All	All	50	345
If P&A Tour-Pak is installed, add 5-10 psi (34-69 kPa) to shock.				
Do not exceed 50 psi (345 kPa) rear shock pressure.				

SERVICE PARTS

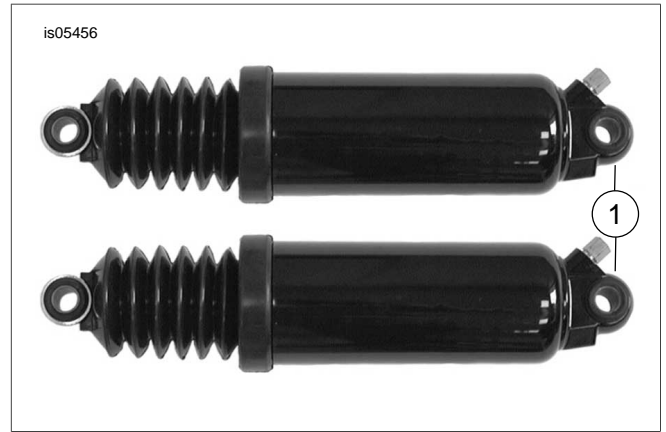


Figure 4. Service Parts: Low Profile Rear Suspension Kit

Table 2. Service Parts

Item	Description (Quantity)	Part Number
1	Low profile rear shock absorbers (2)	54636-09