



INSTRUCTIONS

-J05268

2015-04-14

AIR FOIL TWO-UP LUGGAGE RACK

GENERAL

Kit Numbers

54290-11 (chrome), 54291-11 (black)

Models

For model fitment information, see the P&A retail catalog or the Parts and Accessories section of www.harley-davidson.com (English only).

Additional Parts Required

Separate purchase of additional parts or accessories may be required for proper installation of this luggage rack on this model motorcycle. See the P&A retail catalog or the Parts and Accessories section of www.harley-davidson.com (English only) for a list of required parts or accessories for this model.

Tools and Supplies Required

Loctite® 271 Threadlocker and Sealant - Red (Part No. 99671-97) is required for the proper installation of this kit. This item is available from a Harley-Davidson dealer.

Loctite® 243 Threadlocker and Sealant - Blue (Part No. 99642-97) is required for the proper installation of this kit on Softail models with rigid sideplates installed. This item is available from a Harley-Davidson dealer.

⚠ WARNING

The rider's safety depends upon the correct installation of this kit. If the procedure is not within your capabilities or you do not have the correct tools, have a Harley-Davidson dealer perform the installation. Improper installation of this kit could result in death or serious injury. (00308a)

Kit Contents

See Figure 2 and Table 1.

INSTALLATION

Softail Models with Rigid Sideplates

NOTE

Cover the rear fender with an H-D Service Cover or clean shop towel to prevent scratching the finish.

1. See the owner's manual and remove the seat.
2. See Figure 1. **Loosen** front sideplate screws (2) from the sideplates (1).
3. Loosen and **remove** two rear sideplate screws (3) from the sideplates (1).

4. Raise sissy bar and sideplate assembly to gain access to screws (4) that secure the sissy bar (5) to sideplates.

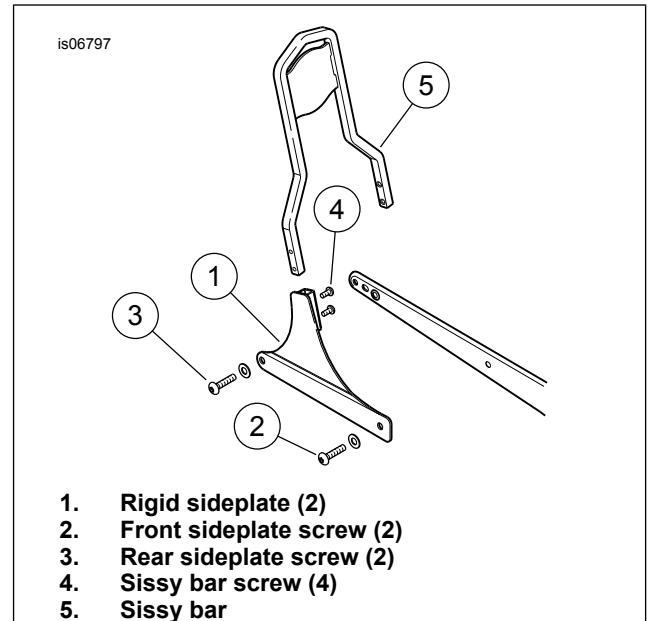


Figure 1. Rigid Sideplate - Softail Models

5. Remove and discard four sissy bar screws (4) that secure the sissy bar to sideplates.
6. See Figure 2. Position luggage rack (1) between the sideplates.
7. Apply Loctite 271 - Red to **new** TORX screws (2) and insert screws through holes in luggage rack, sideplate and sissy bar. Tighten screws to 16.3 N·m (12 ft-lbs).

NOTE

Thoroughly remove all existing threadlocking agent from fastener and mounting hole threads before applying new threadlocking agent.

8. Place the sissy bar and sideplate assembly in the proper position on the motorcycle.
9. See Figure 1. Apply Loctite 243 - Blue to the **clean** threads of the rear two sideplate screws (3) that attach rigid mount sideplates (1) to the motorcycle. Install rear two sideplate screws finger-tight.
10. Apply Loctite 243 - Blue to the **clean** threads of the front two sideplate screws (2) that attach rigid mount sideplates (1) to the motorcycle. Install front two sideplate screws finger-tight.
11. Tighten the front and rear screws to 32.5 N·m (24 ft-lbs).

-J05268



Many Harley-Davidson® Parts & Accessories are made of plastics and metals which can be recycled. Please dispose of materials responsibly.

1 / 2

▲ WARNING

Do not exceed luggage rack weight capacity. Too much weight can cause loss of control, which could result in death or serious injury. (00373a)

NOTE

Maximum luggage rack weight capacity is 4.5 kg (10 lb).

Models with Detachable Sideplates and Dyna Models with Rigid Sideplates

NOTE

Cover the rear fender with an H-D Service Cover or clean shop towel to prevent scratching the finish.

1. See Figure 2. Remove and discard four button head TORX screws (2) that attach sissy bar to sideplates.
2. Position luggage rack (1) between the sideplates.

▲ WARNING

Do not exceed luggage rack weight capacity. Too much weight can cause loss of control, which could result in death or serious injury. (00373a)

NOTE

Maximum luggage rack weight capacity is 4.5 kg (10 lb).

3. Apply Loctite 271 - Red to new TORX screws (2) and insert screws through holes in luggage rack, sideplate and sissy bar. Tighten screws to 16.3 N·m (12 ft-lbs).

Service Parts

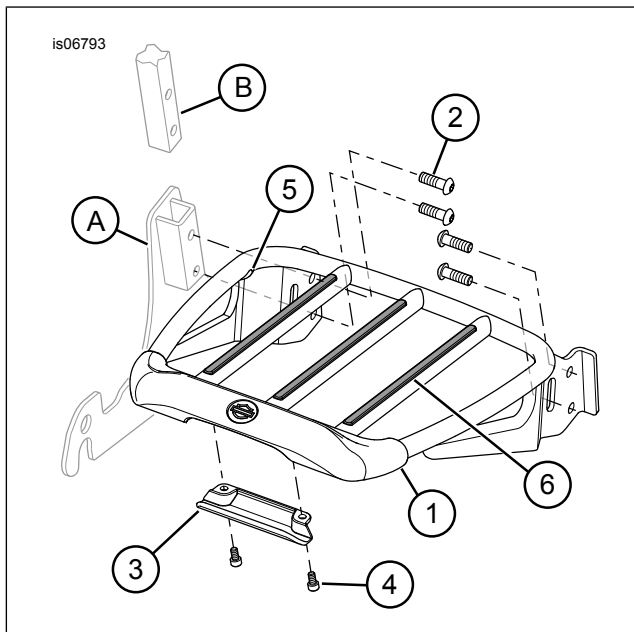


Figure 2. Service Parts: Air Foil Two-Up Luggage Rack

Table 1. Service Parts

Item	Description (Quantity)	Part Number
1	Luggage rack	Not Sold Separately
2	Screw, socket head, TORX, 1/4-20 x 3/4 inch (4)	94593-98
3	Light filler (chrome)	50300107
	Light filler (black)	61400075
4	Screw, socket head, #8-32 x 5/16 inch (2)	Not Sold Separately

Table 1. Service Parts

Item	Description (Quantity)	Part Number
5	Plug, black	Not Sold Separately
6	Service kit, Rubber insert (includes 3 inserts)	91800013
Items mentioned in text, but not included in kit:		
A	Sideplate	
B	Sissy bar	