



INSTRUCTIONS

-J04752

REV. 2009-09-14

FOUR-POINT DETACHABLE DOCKING HARDWARE KIT

GENERAL

Kit Number

54205-09, 54246-09

Models

For model fitment information, see the P&A retail catalog or the Parts and Accessories section of www.harley-davidson.com (English only).

Additional Parts Required

Separate purchase of additional parts or accessories may be required for proper installation of this Docking Hardware Kit on this model motorcycle. See the P&A retail catalog or the Parts and Accessories section of www.harley-davidson.com (English only) for a list of required parts or accessories for this model.

Tools and Supplies Required

Loctite® 262 Threadlocker and Sealant - Red (99759-99) is required for the proper installation of this kit.

WARNING

The rider's safety depends upon the correct installation of this kit. If the procedure is not within your capabilities or you do not have the correct tools, have a Harley-Davidson dealer perform the installation. Improper installation of this kit could result in death or serious injury. (00308a)

Kit Contents

See Figure 3 and Table 1.

INSTALLATION

1. See Figure 3. Remove the screw (A) retaining the rear of the chrome cover to the rear frame extension on each side of the vehicle.
2. Place a washer (7) over the threads of each of the larger TORX® head screws (6) from the kit. Apply 2 or 3 drops of Loctite 262 Threadlocker and Sealant - Red to the threads of each screw.

Install the screws through the docking plates (1) and fender covers, and into the threaded holes in the frame extensions on each side of the vehicle, and tighten to 17 ft-lbs (23 Nm).

NOTE

See Figure 1. The docking points must be attached to the docking plates (2) with the chamfer (1) facing the plate and the flat side facing out.

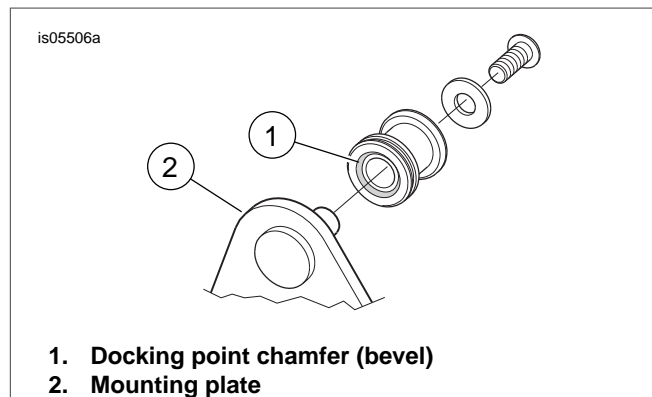


Figure 1. Docking Point Installation

3. See Figure 3. Slide a spacer (2) onto the longer pin (B) of each docking plate. Install the four docking points (3), chamfer end first, onto the long and short docking plate pins using the washers (5) and smaller TORX screws (4). Tighten to 10.5 ft-lbs (14.2 Nm).

NOTE

Protective tape must be installed to the rear saddlebag mounting bracket to prevent damage to the chrome docking plate.

4. See Figure 2. Apply protective tape (2) to the rear saddlebag mounting bracket (1) on the saddlebag in the location shown. Repeat for the other side.

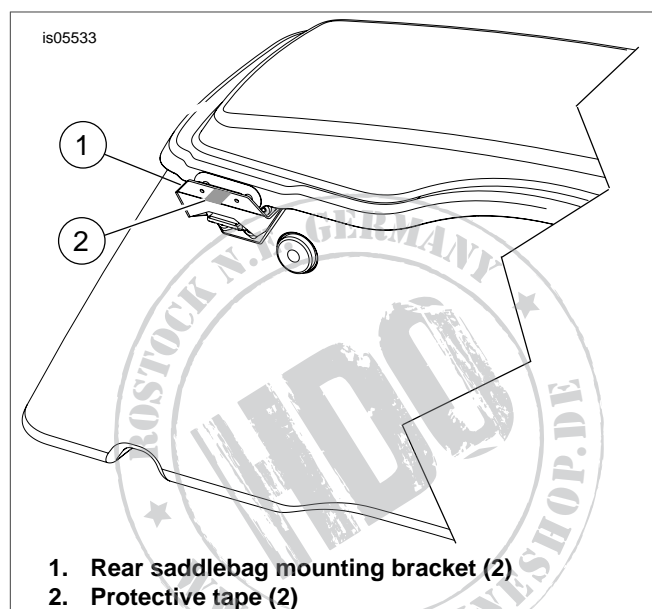


Figure 2. Apply Protective Tape

SERVICE PARTS

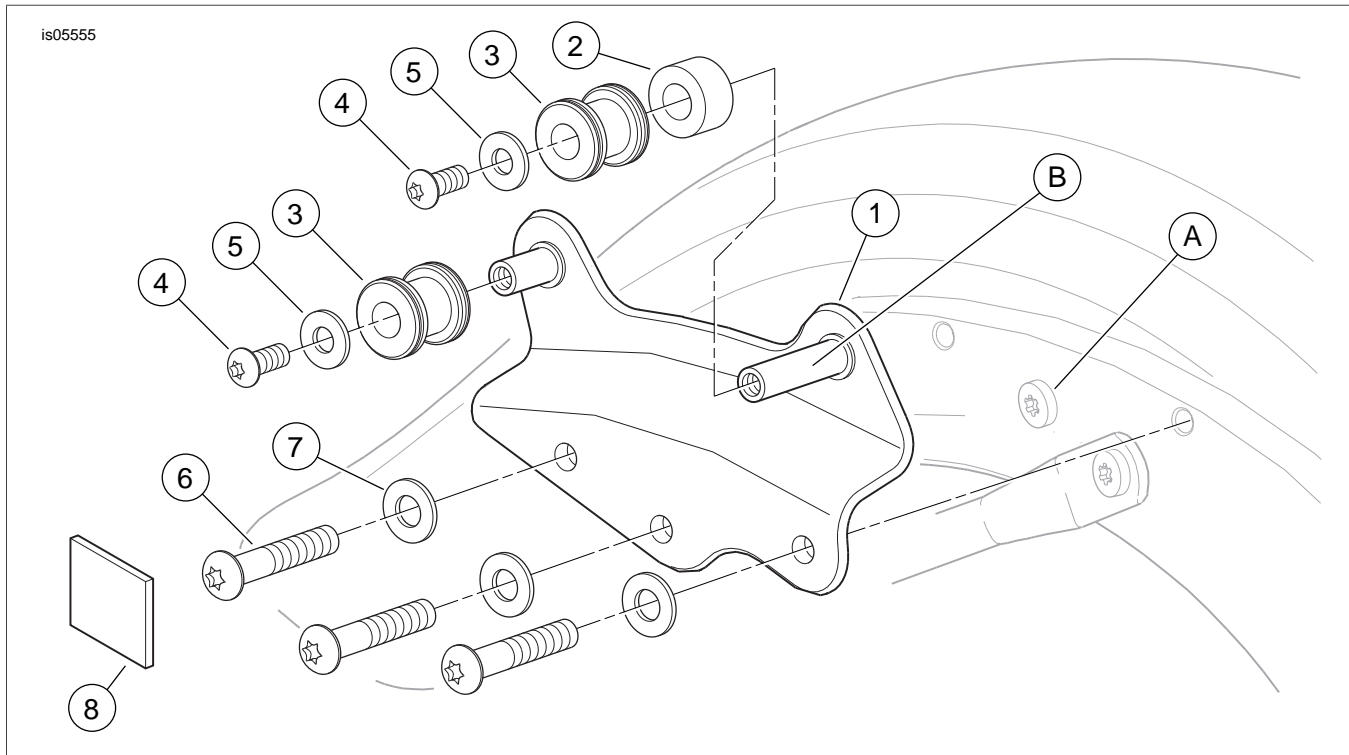


Figure 3. Service Parts, Four-Point Detachable Docking Hardware Kit

Table 1. Service Parts Table

Item	Description (Quantity)	Part Number
1	Docking plate assembly, chrome (right side, shown)	54218-09
	Docking plate assembly, chrome (left side, not shown)	54217-09
	Docking plate assembly, gloss black (right side, shown)	54271-09
	Docking plate assembly, gloss black (left side, not shown)	54270-09
2	Spacer, docking point (2)	6946
3	Docking point (4)	53684-96A
4	Cap screw, button head, TORX, 1/4-20 x 5/8 inch (15.9 mm) long (4)	94592-98
5	Plain washer (4)	6339
6	Cap screw, button head, TORX, 5/16-18 x 1.75 inch (44.5 mm) long (6)	4783
7	Plain washer (6)	6330
8	Protective tape (2)	54233-09
Items mentioned in text, but not included in kit:		
A	Chrome cover to rear frame extension retaining screw (2)	
B	Longer docking point pin (2)	

